



Do what 75% of the world's biggest banks do. Trust Lexmark.

Lexmark @productguide

26/08/2008

LEXMARK[™]



Some people waste energy.

Some people don't.

reduce

Energy consumption has highly damaging effects on the environment: firstly because it often draws on non-renewable resources and secondly, because the greenhouse emissions are directly responsible for global warming. It is up to everyone to do something about this, and much can be done. At Lexmark, we have managed to bring down our printers' energy consumption by 70% in the last decade.

On your side, you can do your part by activating the Power Saver Mode on your Lexmark printer. Thus, you win twice, you save energy and you save money.



LEXMARKTM

Lexmark Environmental Programme

LEXMARK AND THE ENVIRONMENT, A WAY OF LIFE

Lexmark takes seriously its responsibility to the environment and the communities in which it operates. For Lexmark, environment protection is a continuing process that involves all of our suppliers, employees, major functions of the company – and ultimately our customers and the way they use and dispose of our products. Caring for the environment through complementary business practices has become a way of life. Protecting the environment is the major objective in Lexmark's manufacturing processes. This is clearly demonstrated by Lexmark's 4R Strategy: Reduce Recover Reuse Recycle and the successful Cartridge Collection Programme where customers can return their empty cartridges free of charge.

ENVIRONMENTAL PROGRAMMES

Equipment

Our shared responsibility for the environmentally sound management of our products is also demonstrated by the implementation of the European WEEE Directive (Waste Electrical & Electronic Equipment). Lexmark equipment is marked according to the requirements of this Directive and programmes are set up to ensure that the waste from our electrical and electronic equipment is collected separately from everyday household and usual waste streams for proper recycling.

Cartridges

In addition to our WEEE programmes, Lexmark also offers a complete cartridge collection programme. Lexmark offers multiple choices such as individual pick up with prepaid reply labels inserted in the cartridge boxes or bulk programmes for large business users via office and pallet size containers.

Once collected, all Lexmark cartridges are recovered for reuse or recycling according to the most stringent recycling practices: there is no landfill or incineration involved.

CITIZENSHIP

Our structured approach to environmental protection with regular auditing and long-term commitment has proved to be a credible measurement of Lexmark environmental actions. The company already had ISO 9002 certification, but in order to comply with the demands of its customers and to fulfil its own objectives, Lexmark has also obtained ISO 14001 certification for all its owned factories across the world. Lexmark is now justifiably proud of its record for waste and water management, and is especially pleased with its ability to integrate environmental issues into each operation, making it part of our everyday business. Today, Lexmark extends this approach to its major suppliers who are required to comply with legislation.

As a provider of printing solutions including inkjet, laser, all-in-one printers and related supplies, Lexmark shares in the environmental responsibility for our products. To learn more about our programmes, our collection methods and our recycling policy, connect to www.lexmark.com/recycle.



Table of contents

ENVIRONMENT

Lexmark Environmental Programme	3
---------------------------------	---

PRODUCT OVERVIEW

Monochrome	6
Colour	10

MONO LASER

Lexmark E120	14
Lexmark E120n	16
Lexmark E250d	18
Lexmark E250dn	20
Lexmark E350d	22
Lexmark E352dn	24
Lexmark E450dn	26
Lexmark T640	28
Lexmark T640n	30
Lexmark T640dn	32
Lexmark T640dtn	34
Lexmark T642	36
Lexmark T642n	38
Lexmark T642tn	40
Lexmark T642dtn	42
Lexmark T644	44
Lexmark T644n	46
Lexmark T644tn	48
Lexmark T644dtn	50
Lexmark W840	52
Lexmark W840n	54
Lexmark W840dn	56

COLOR LASER

Lexmark C500n	58
Lexmark C530dn	60
Lexmark C532n	62
Lexmark C532dn	64
Lexmark C534n	66
Lexmark C534dn	68
Lexmark C534dtn	70
Lexmark C780n	72
Lexmark C780dn	74
Lexmark C780dtn	76
Lexmark C782n	78
Lexmark C782dn	80
Lexmark C782dtn	82
Lexmark C935dn	84
Lexmark C935dtn	86
Lexmark C935dttn	88
Lexmark C935hdn	90

COLOR INKJET

Lexmark Z1520	92
Lexmark Z2320	94
Lexmark Z2420	96
Lexmark P350	98

ALL-IN-ONE

Lexmark X2550	100
Lexmark X2650	102
Lexmark X3550	104
Lexmark X3650	106
Lexmark X4550	108
Lexmark X4650	110
Lexmark X4850	112
Lexmark X4875	114
Lexmark X4950	116

Lexmark X4975	118
Lexmark X5070	120
Lexmark X5470	122
Lexmark X5650	124
Lexmark X6570	126
Lexmark X6650	128
Lexmark X6675	130
Lexmark X7550	132
Lexmark X7675	134
Lexmark X9350	136

MULTIFUNCTION

Lexmark X340 MFP	138
Lexmark X342n MFP	140
Lexmark X500n	142
Lexmark X502n	144
Lexmark X560n	146
Lexmark X560dn	148
Lexmark X642e MFP	150
Lexmark X644e MFP	152
Lexmark X646e MFP	154
Lexmark X646dte MFP	156
Lexmark X646ef MFP	158
Lexmark X782e	160
Lexmark X850e MFP	162
Lexmark X850e VE3	164
Lexmark X850e VE4	166
Lexmark X852e MFP	168
Lexmark X854e MFP	170
Lexmark X940e	172
Lexmark X945e	174

MFP OPTIONS

Lexmark 4600 MFP Option	176
Lexmark 4600 MFP Option (C772n)	178
Lexmark 4600 MFP Option (C782n)	180

DOT MATRIX

Lexmark Forms Printer 2580	182
Lexmark Forms Printer 2580n	184
Lexmark Forms Printer 2581	186
Lexmark Forms Printer 2581n	188
Lexmark Forms Printer 2590	190
Lexmark Forms Printer 2590n	192
Lexmark Forms Printer 2591	194
Lexmark Forms Printer 2591n	196
Lexmark Forms Printer 4227 plus	198

CONNECTIVITY - APPLICATIONS SOLUTIONS

Forms Card	200
Bar Code Application Solution	202
PrintCrypton™ Application Solution	204
IPDS and SCS / TNe Application Solution	206
Lexmark Print Servers	208
MarkVision Professional	212

COMPATIBILITY

Lexmark Compatibility Table and Options	214
---	-----

SUPPLIES

Lexmark Supplies Compatibility Table	224
--------------------------------------	-----

SERVICES

Lexmark Authorized Parts Distributors	248
Lexmark Standard Service Offerings	254

CONTACTS

Contacts	266
----------	-----

Monochrome

MONO LASER



Lexmark E120

■ ■ ■ Up to 19 ppm



Lexmark E120n

■ ■ ■ Up to 19 ppm



Lexmark E250d

■ ■ ■ Up to 28 ppm



Lexmark E250dn

■ ■ ■ Up to 28 ppm



Lexmark E350d

■ ■ ■ Up to 33 ppm



Lexmark T640dtn

■ ■ ■ Up to 33 ppm



Lexmark T642

■ ■ ■ Up to 43 ppm



Lexmark T642n

■ ■ ■ Up to 43 ppm



Lexmark T642tn

■ ■ ■ Up to 43 ppm



Lexmark T642dtn

■ ■ ■ Up to 43 ppm



Lexmark W840n

■ ■ ■ Up to 50 ppm



Lexmark W840dn

■ ■ ■ Up to 50 ppm



Lexmark E352dn

■ ■ ■ Up to 33 ppm



Lexmark E450dn

■ ■ ■ Up to 33 ppm



Lexmark T640

■ ■ ■ Up to 33 ppm



Lexmark T640n

■ ■ ■ Up to 33 ppm



Lexmark T640dn

■ ■ ■ Up to 33 ppm



Lexmark T644

■ ■ ■ Up to 48 ppm



Lexmark T644n

■ ■ ■ Up to 48 ppm



Lexmark T644tn

■ ■ ■ Up to 48 ppm



Lexmark T644dtn

■ ■ ■ Up to 48 ppm



Lexmark W840

■ ■ ■ Up to 50 ppm

Monochrome



MULTIFUNCTION



Lexmark X340

■ ■ ■ Up to 25 ppm



Lexmark X342n

■ ■ ■ Up to 25 ppm



Lexmark X642e

■ ■ ■ Up to 43 ppm



Lexmark X644e

■ ■ ■ Up to 48 ppm



Lexmark X646e

■ ■ ■ Up to 48 ppm



Lexmark X852e

■ ■ ■ Up to 45 ppm



Lexmark X854e

■ ■ ■ Up to 55 ppm

DOT MATRIX



**Lexmark Forms
Printer 2580**

■ 9-Pin Dot Matrix



**Lexmark Forms
Printer 2580n**

■ 9-Pin Dot Matrix



**Lexmark Forms
Printer 2581**

■ 9-Pin Dot Matrix



**Lexmark Forms
Printer 2581n**

■ 9-Pin Dot Matrix



**Lexmark Forms
Printer 2590**

■ 24-Pin Dot Matrix



Lexmark X646dte

■ ■ ■ Up to 48 ppm



Lexmark X646ef

■ ■ ■ Up to 48 ppm



Lexmark X850e

■ ■ ■ Up to 35 ppm



Lexmark X850e

■ ■ ■ Up to 35 ppm



Lexmark X850e

■ ■ ■ Up to 35 ppm



Lexmark Forms Printer 2590n

■ 24-Pin Dot Matrix



Lexmark Forms Printer 2591

■ 24-Pin Dot Matrix



Lexmark Forms Printer 2591n

■ 24-Pin Dot Matrix



Lexmark Forms Printer 4227 plus

■ Dual 9-Pin Dot Matrix

Colour



COLOR LASER



Lexmark C500n

■ ■ ■ Up to 31 ppm

■ ■ ■ Up to 8 ppm



Lexmark C530dn

■ ■ ■ Up to 22 ppm

■ ■ ■ Up to 21 ppm



Lexmark C532n

■ ■ ■ Up to 22 ppm

■ ■ ■ Up to 21 ppm



Lexmark C532dn

■ ■ ■ Up to 22 ppm

■ ■ ■ Up to 21 ppm



Lexmark C534n

■ ■ ■ Up to 22 ppm

■ ■ ■ Up to 21 ppm



Lexmark C782n

■ ■ ■ Up to 38 ppm

■ ■ ■ Up to 33 ppm



Lexmark C782dn

■ ■ ■ Up to 38 ppm

■ ■ ■ Up to 33 ppm



Lexmark C782dtn

■ ■ ■ Up to 38 ppm

■ ■ ■ Up to 33 ppm



Lexmark C935dn

■ ■ ■ Up to 45 ppm

■ ■ ■ Up to 40 ppm



Lexmark C935dtn

■ ■ ■ Up to 45 ppm

■ ■ ■ Up to 40 ppm

MULTIFUNCTION



Lexmark X500n

■ ■ ■ Up to 31 ppm

■ ■ ■ Up to 8 ppm



Lexmark X502n

■ ■ ■ Up to 31 ppm

■ ■ ■ Up to 8 ppm



NEW

Lexmark X560n

■ ■ ■ Up to 30 ppm

■ ■ ■ Up to 20 ppm



NEW

Lexmark X560dn

■ ■ ■ Up to 30 ppm

■ ■ ■ Up to 20 ppm



Lexmark X782e

■ ■ ■ Up to 38 ppm

■ ■ ■ Up to 33 ppm



Lexmark C890dtn

■ ■ ■ Up to 22 ppm

■ ■ ■ Up to 29 ppm



Lexmark C935hdtm

■ ■ ■ Up to 45 ppm

■ ■ ■ Up to 40 ppm



Lexmark 4600 MFP Option

■ ■ ■ Up to 33 / 35 sides per minute

■ ■ ■ Up to 17 / 18 sides per minute



Lexmark 4600 MFP Option (C772n)

■ ■ ■ Up to 33 / 35 sides per minute

■ ■ ■ Up to 17 / 18 sides per minute



Lexmark 4600 MFP Option (C782n)

■ ■ ■ Up to 33 / 35 sides per minute

■ ■ ■ Up to 17 / 18 sides per minute

MFP OPTIONS



Lexmark X940e

■ ■ ■ Up to 40 ppm

■ ■ ■ Up to 30 ppm



Lexmark X945e

■ ■ ■ Up to 45 ppm

■ ■ ■ Up to 40 ppm

Colour



ALL-IN-ONE



Lexmark **X2550**



Lexmark **X2650**



Lexmark **X3550**



Lexmark **X3650**



Lexmark **X4550**



Lexmark **X5070**



Lexmark **X5470**



Lexmark **X5650**



Lexmark **X6570**



Lexmark **X6650**

COLOR INKJET



Lexmark **Z1520**



Lexmark **Z2320**



Lexmark **Z2420**



Lexmark **P350**



Lexmark **X4650**



Lexmark **X4850**



Lexmark **X4875**



Lexmark **X4950**



Lexmark **X4975**



Lexmark **X6675**



Lexmark **X7550**



Lexmark **X7675**



Lexmark **X9350**

Lexmark E120



Remarkably affordable desktop laser printing!

Print Technology

Monochrome Laser

Print Speed (A4, Black)

Up to 19 ppm

Print Speed (Letter, Black)

Up to 20 ppm

Time to First Page (Black)

As fast as 8 seconds

Print Resolution, Black

1200 Image Quality

600 x 600 dpi

Processor

183 MHz

Memory, Standard

8 MB

Memory, Maximum

8 MB

Expandable Memory Options

No

Citrix MetaFrame

Citrix, MetaFrame and MetaFrame XP are registered trademarks or trademarks of Citrix Systems, Inc. in the U.S. and other countries., Microsoft Windows 2000

Server running Terminal Services with Citrix MetaFrame XP Presentation Server or Citrix MetaFrame Presentation Server 3.0., Microsoft Windows Server 2003 running Terminal Services with Citrix MetaFrame XP Presentation Server or Citrix MetaFrame Presentation Server 3.0., Microsoft Windows 2000 Server running Terminal Services with Citrix Presentation Server 4.0., Microsoft Windows Server 2003 running Terminal Services with Citrix Presentation Server 4.0.

Microsoft Windows Operating Systems Supported

2000, XP, Server 2003, XP x64, Server 2003 running Terminal Services, 2000 Server running Terminal Services, Server 2003 x64, Server 2003 x64 running Terminal Services, Vista, Vista x64

Paper Handling Standard

150-Sheet Input Tray, 50-Sheet Output Bin, 15-Sheet Priority Feeder

Paper Input Capacity, Standard

150 + 15 pages 20 lb or 75 gsm bond

Paper Input Capacity, Maximum

150 + 15 pages 20 lb or 75 gsm bond

Paper Output Capacity, Standard

50 pages 20 lb or 75 gsm bond

Paper Output Capacity, Maximum

50 pages 20 lb or 75 gsm bond

Envelope Capacity

Up to 5

Finishing Option

No

Number of Paper Inputs, Standard

2

Number of Paper Inputs, Maximum

2

Media Types Supported

Card Stock, Envelopes, Paper Labels, Plain Paper, Transparencies, Refer to the Card Stock & Label Guide

Media Sizes Supported

10 Envelope, 7 3/4 Envelope, 9 Envelope, A4, A5, B5 Envelope, C5 Envelope, DL Envelope, A6 Card, Executive, Folio, JIS-B5, Legal, Letter, Statement

Connectivity (standard)

USB Compatible with USB 2.0 Specification

Connectivity (optional)

Lexmark N4000e Fast Ethernet (Print Only), Lexmark N4050e 802.11g Wireless Print Server (Print Only), External MarkNet™ N7020e Gigabit Ethernet, External MarkNet™ N7000e Fast Ethernet (USB)

Printable Area

4 mm of the top, bottom, right and left edges (within)

Printable Area

0.158 inches of the top, bottom, right and left edges (within)

Printer Languages (Standard)

Host-Based Printing

Supplies Yield

Average standard page yield value declared in accordance with ISO/IEC 19752., 2,000-page Toner Cartridge, Ships with 500*-page Starter Return Program Toner Cartridge, 25,000*-page Photoconductor Kit

Packaged Size (mm - H x W x D)

325 x 485 x 292 mm

Packaged Size (in. - H x W x D)

12.8 x 19.09 x 11.5 in.

Size (mm - H x W x D)

250 x 388 x 370mm (A4)

Size (in. - H x W x D)

9.8 x 15.3 x 14.6in. (A4)

Weight (kg)

6.9 kg

Weight (lb.)

15.2 lb.

Acoustics/Noise level (Idle mode)

26 dBA

Acoustics/Noise level (Operating mode)

49 dBA

Product Guarantee

One Year Return to Base, 5-7 business days Response time

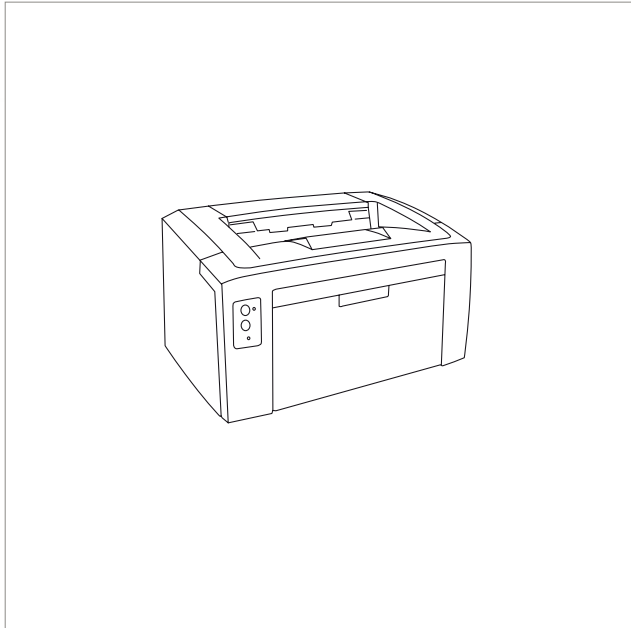
Product Certifications

Energy Star, FCC Class B, UL 60950-1, U.S. FDA, IEC 60320-1, CSA 60950-1-03, ICES Class B, CE Class B, CB IEC 60950-1, IEC 60825-1, GS (TÜV), SEMKO, UL AR, CS, TÜV Rh, N Mark, ACA C-tick Class B, CCC Class B, BSMI Class B, VCCI Class B, MIC, EK Mark, PSB

Specified Operating Environment

Temperature: 16 to 32°C (60 to 90°F), Altitude: 0 - 2500 Meters (8,200 Feet), Humidity: 8 to 80% Relative

Humidity for Temperatures less than 25.5°C (78°F)



■ Paper Handling Standard

Part #	Model
0023S0110	Lexmark E120
Part #	Laser Toner/Print Cartridge
0012016SE	E120 Return Program Toner Cartridge (2K)
0012036SE	E120 Toner Cartridge (2K)
0012026XW	E120 Photoconductor Kit (25K)
Part #	Paper & Transparencies
0012A5010	Lexmark Laser Printers - A4 Transparency
Part #	Connectivity
001021294	USB (2 Meter) Cable
001470155	Lexmark N4050e 802.11g Wireless Print Server
001470040	Lexmark N4000e Fast Ethernet Print Server
001470230	MarkNet™ N7000e Fast Ethernet Print Server - USB
001470220	MarkNet™ N7020e Gigabit Ethernet Print Server
Part #	Extended Warranties
002348374	1 Year Return-to-Base Extended Guarantee
002348375	2 Year Return-to-Base Extended Guarantee
002348386	1 Year Return-to-Base Extended Guarantee Renewal
002348378	Upgrade to Exchange Extended Guarantee
002348368	1 Year Exchange Extended Guarantee Renewal
002348355	Upgrade to OnSite Exchange Extended Guarantee

Lexmark E120n



High-quality laser printing without the high-quality price!

Print Technology

Monochrome Laser

Print Speed (A4, Black)

Up to 19 ppm

Print Speed (Letter, Black)

Up to 20 ppm

Time to First Page (Black)

As fast as 8 seconds

Print Resolution, Black

1200 Image Quality

600 x 600 dpi

Processor

183 MHz

Memory, Standard

16 MB

Memory, Maximum

16 MB

Expandable Memory Options

No

Apple Macintosh Operating Systems Supported

Mac OS X

Citrix MetaFrame

Citrix, MetaFrame and MetaFrame XP are registered trademarks or trademarks of Citrix Systems, Inc. in the U.S. and other countries., Microsoft Windows 2000 Server running Terminal Services with Citrix MetaFrame XP Presentation Server or Citrix MetaFrame Presentation Server 3.0., Microsoft Windows Server 2003 running Terminal Services with Citrix MetaFrame XP Presentation Server or Citrix MetaFrame Presentation Server 3.0., Microsoft Windows 2000 Server running Terminal Services with Citrix Presentation Server 4.0, Microsoft Windows Server 2003 running Terminal Services with Citrix Presentation Server 4.0

Microsoft Windows Operating Systems Supported

2000, Me, XP, Server 2003, 98 2nd Edition, XP x64, Server 2003 running Terminal Services, 2000 Server running Terminal Services, Server 2003 x64, Server 2003 x64 running Terminal Services, Vista, Vista x64

Paper Handling Standard

150-Sheet Input Tray, 50-Sheet Output Bin, 15-Sheet

Priority Feeder

Paper Input Capacity, Standard

150 + 15 pages 20 lb or 75 gsm bond

Paper Input Capacity, Maximum

150 + 15 pages 20 lb or 75 gsm bond

Paper Output Capacity, Standard

50 pages 20 lb or 75 gsm bond

Paper Output Capacity, Maximum

50 pages 20 lb or 75 gsm bond

Envelope Capacity

Up to 5

Finishing Option

No

Number of Paper Inputs, Standard

2

Number of Paper Inputs, Maximum

2

Media Types Supported

Card Stock, Envelopes, Paper Labels, Plain Paper, Transparencies, Refer to the Card Stock & Label Guide

Media Sizes Supported

10 Envelope, 7 3/4 Envelope, 9 Envelope, A4, A5, B5 Envelope, C5 Envelope, DL Envelope, A6 Card, Executive, Folio, JIS-B5, Legal, Letter, Statement

Connectivity (standard)

Fast Ethernet, USB Compatible with USB 2.0 Specification

Connectivity (optional)

Lexmark N4050e 802.11g Wireless Print Server (Print Only), External MarkNet™ N7020e Gigabit Ethernet

Network Printing Methods

LPR/LPD, Direct IP (Port 9100), IPP (Internet Printing Protocol), HTTP, Enhanced IP (Port 9400), FTP, TFTP

Network Protocol Support

TCP/IP IPv4

Printable Area

4 mm of the top, bottom, right and left edges (within)

Printable Area

0.158 inches of the top, bottom, right and left edges (within)

Printer Languages (Standard)

PCL 5e Emulation, PCL 6 Emulation

Supplies Yield

Average standard page yield value declared in accordance with ISO/IEC 19752., 2,000-page Toner Cartridge, Ships with 500*-page Starter Return Program Toner Cartridge, 25,000*-page Photoconductor Kit

Packaged Size (mm - H x W x D)

325 x 485 x 292 mm

Packaged Size (in. - H x W x D)

12.8 x 19.09 x 11.5 in.

Size (mm - H x W x D)

250 x 388 x 370mm (A4)

Size (in. - H x W x D)

9.8 x 15.3 x 14.6in. (A4)

Weight (kg)

6.9 kg

Weight (lb.)

15.2 lb.

Acoustics/Noise level (Idle mode)

26 dBA

Acoustics/Noise level (Operating mode)

49 dBA

Product Guarantee

One year Return to base, 5-7 Business Days Response time.

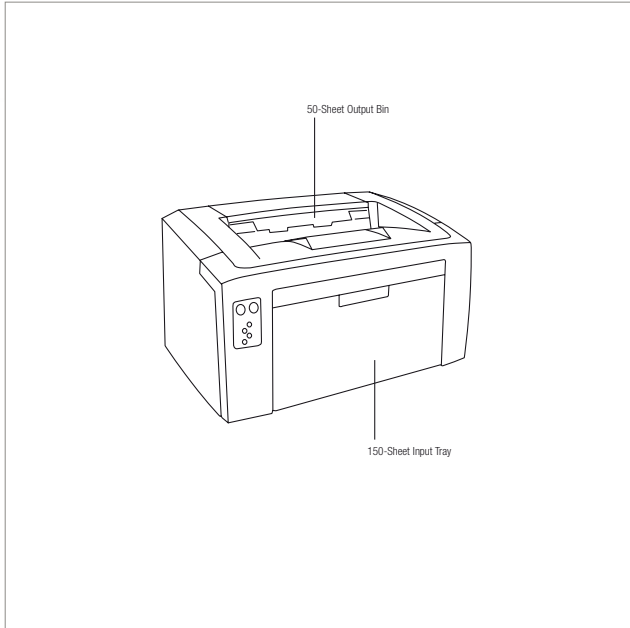
Product Certifications

Energy Star, FCC Class B, UL 60950-1, U.S. FDA, IEC 60320-1, CSA 60950-1-03, ICES Class B, CE Class B, CB IEC 60950-1, IEC 60825-1, GS (TÜV), SEMKO, UL AR,

CS, TÜV Rh, N Mark, ACA C-tick Class B, CCC Class B, BSMI Class B, VCCI Class B, MIC, EK Mark, PSB

Specified Operating Environment

Temperature: 16 to 32°C (60 to 90°F), Altitude: 0 - 2500 Meters (8,200 Feet), Humidity: 8 to 80% Relative Humidity for Temperatures less than 25.5°C (78°F)



■ Paper Handling Standard

Part #	Model
0023S0310	Lexmark E120n
Part #	Laser Toner/Print Cartridge
0012016SE	E120 Return Program Toner Cartridge (2K)
0012036SE	E120 Toner Cartridge (2K)
0012026XW	E120 Photoconductor Kit (25K)
Part #	Paper & Transparencies
0012A5010	Lexmark Laser Printers - A4 Transparency
Part #	Connectivity
001021294	USB (2 Meter) Cable
0014T0155	Lexmark N4050e 802.11g Wireless Print Server
0014T0220	MarkNet™ N7020e Gigabit Ethernet Print Server
Part #	Extended Warranties
002348374	1 Year Return-to-Base Extended Guarantee
002348375	2 Year Return-to-Base Extended Guarantee
002348386	1 Year Return-to-Base Extended Guarantee Renewal
002348378	Upgrade to Exchange Extended Guarantee
002348368	1 Year Exchange Extended Guarantee Renewal
002348355	Upgrade to OnSite Exchange Extended Guarantee



Lexmark E250d

A great desktop value – with integrated duplex printing now standard!

Print Technology

Monochrome Laser

Print Speed (A4, Black)

Up to 28 ppm

Print Speed (Letter, Black)

Up to 30 ppm

Print Speed (A4, Black) Duplex

Up to 14 spm

Print Speed (Letter, Black) Duplex

Up to 14 spm

Time to First Page (Black)

As fast as < 7.5 seconds

Print Resolution, Black

1200 Image Quality

1200 x 1200 dpi

2400 Image Quality

600 x 600 dpi

Processor

366 MHz

Memory, Standard

32 MB

Memory, Maximum

96 MB

Expandable Memory Options

Yes

Apple Macintosh Operating Systems Supported

Mac OS X, Mac OS 9.x

Citrix MetaFrame

Citrix, MetaFrame and MetaFrame XP are registered trademarks or trademarks of Citrix Systems, Inc. in the U.S. and other countries., Microsoft Windows 2000 Server running Terminal Services with Citrix MetaFrame XP Presentation Server or Citrix MetaFrame Presentation Server 3.0., Microsoft Windows Server 2003 running Terminal Services with Citrix MetaFrame XP Presentation Server or Citrix MetaFrame Presentation Server 3.0, Microsoft Windows 2000 Server running Terminal Services with Citrix Presentation Server 4.0, Microsoft Windows Server 2003 running Terminal Services with Citrix Presentation Server 4.0

Microsoft Windows Operating Systems Supported

2000, NT (4.00/4.00 Server), Me, XP, Server 2003, 98 2nd Edition, XP x64, Server 2003 running Terminal Services, 2000 Server running Terminal Services, Server 2003 x64, Vista

Paper Handling Standard

150-Sheet Output Bin, Integrated Duplex, Single Sheet Exit, Single Sheet Manual Feed, 250-Sheet Input Tray

Paper Handling Optional

550-Sheet Drawer, 250-Sheet Drawer

Paper Input Capacity, Standard

250 pages 20 lb or 75 gsm bond

Paper Input Capacity, Maximum

800 pages 20 lb or 75 gsm bond

Paper Output Capacity, Standard

150 pages 20 lb or 75 gsm bond

Paper Output Capacity, Maximum

150 pages 20 lb or 75 gsm bond

Envelope Capacity

1

Finishing Option

No

Number of Paper Inputs, Standard

2

Number of Paper Inputs, Maximum

3

Media Types Supported

Envelopes, Paper Labels, Plain Paper, Transparencies, Refer to the Card Stock & Label Guide

Media Sizes Supported

10 Envelope, 7 3/4 Envelope, 9 Envelope, A4, A5, B5 Envelope, C5 Envelope, DL Envelope, A6 Card, Executive, Folio, JIS-B5, Legal, Letter, Statement, Universal

Connectivity (standard)

Centronics IEEE 1284 Bidirectional Parallel, USB 2.0

Specification Hi-Speed Certified

Connectivity (optional)

Lexmark N4000e Fast Ethernet (Print Only), Lexmark N4050e 802.11g Wireless Print Server (Print Only), External MarkNet™ N7020e Gigabit Ethernet, External MarkNet™ N7000e Fast Ethernet (USB), External MarkNet™ N7002e Fast Ethernet (parallel)

Printable Area

4 mm of the top, bottom, right and left edges (within)

Printable Area

0.158 inches of the top, bottom, right and left edges (within)

Printer Languages (Standard)

PCL 5e Emulation, PCL 6 Emulation

Supplies Yield

30,000-page Photoconductor Kit, Ships with 1,500*-page Starter Return Program Toner Cartridge, *Average standard page yield value declared in accordance with ISO/IEC 19752., 3,500*-page Toner Cartridge

Packaged Size (mm - H x W x D)

378 x 470 x 430 mm

Packaged Size (in. - H x W x D)

14.9 x 18.5 x 16.9 in.

Size (mm - H x W x D)

259.5 x 396 x 359 mm

Size (in. - H x W x D)

10.2 x 15.6 x 14.1 in.

Weight (kg)

11.4 kg

Weight (lb.)

25 lb.

Acoustics/Noise level (Idle mode)

inaudible / 20 dBA

Acoustics/Noise level (Operating mode)

50 dBA

Product Guarantee

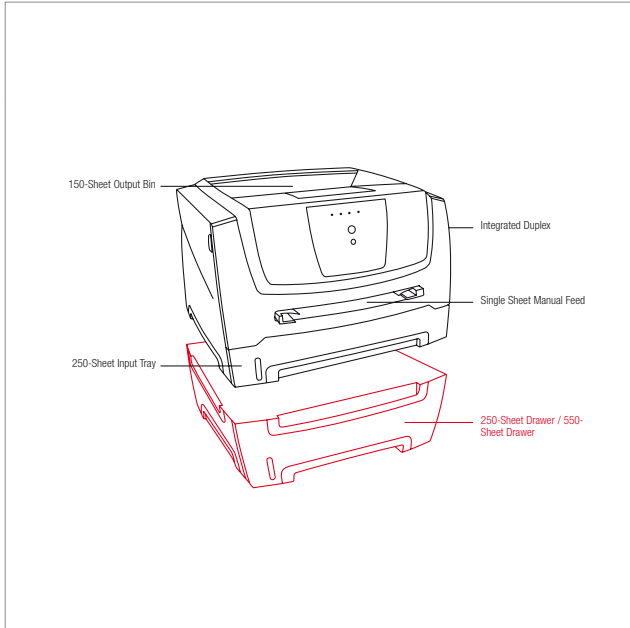
One year return to base, 5-7 business days response time

Product Certifications

FCC Class B, UL 60950-1 3rd Edition, U.S. FDA, IEC 320-1, CSA, ICES Class B, Energy Star, CE Class B, CB IEC 60950-1, IEC 60825-1, GS (TÜV), SEMKO, UL AR, CS, TÜV Rh, N Mark, ACA C-tick Class B, CCC Class B, BSMI Class B, MIC, EK Mark, PSB

Specified Operating Environment

Temperature: 16 to 32°C (60 to 90°F), Altitude: 0 - 2500 Meters (8,200 Feet), Humidity: 8 to 80% Relative Humidity for Temperatures less than 25.5°C (78°F)



Paper Handling Standard
 Paper Handling Optional

Part #	Model
0033S5112	Lexmark E250d
Part #	Laser Toner/Print Cartridge
0E250A11E	E250, E35X 3.5K RP Toner Cartridge
0E250A21E	E250, E35X 3.5K Toner Cartridge
0E250X22G	E250, E35X, E450 30K Photoconductor Kit
Part #	Paper & Transparencies
0012A5010	Lexmark Laser Printers - A4 Transparency
Part #	Paper Handling
0028S0803	550-Sheet Drawer
0033S0860	250-Sheet Drawer
Part #	Flash, SDRAM Memory
001021257	32MB SDRAM DIMM
001021258	64MB SDRAM DIMM
Part #	Connectivity
001021231	Parallel (10') Cable
001021294	USB (2 Meter) Cable
0014T0040	Lexmark N4000e Fast Ethernet Print Server
0014T0155	Lexmark N4050e 802.11g Wireless Print Server
0014T0230	MarkNet™ N7000e Fast Ethernet Print Server - USB
0014T0240	MarkNet™ N7002e Fast Ethernet Print Server - Parallel
0014T0220	MarkNet™ N7020e Gigabit Ethernet Print Server
Part #	Extended Warranties
002349210	1 Year Return to base Extended Guarantee
002349211	2 Year Return to Base Extended Guarantee
002349214	1 Year Return-to-Base Extended Warranty Renewal
002349194	Exchange base guarantee upgrade
002349100	1 Year Exchange Extended Guarantee
Part #	Service Parts
0040X2848	E450dn Fuser Maintenance Kit HV

Lexmark E250dn



A great desktop value – with integrated duplex printing now standard!

Print Technology

Monochrome Laser

Print Speed (A4, Black)

Up to 28 ppm

Print Speed (Letter, Black)

Up to 30 ppm

Print Speed (A4, Black) Duplex

Up to 14 spm

Print Speed (Letter, Black) Duplex

Up to 14 spm

Time to First Page (Black)

As fast as < 7.5 seconds

Print Resolution, Black

1200 Image Quality

1200 x 1200 dpi

2400 Image Quality

600 x 600 dpi

Processor

366 MHz

Memory, Standard

32 MB

Memory, Maximum

96 MB

Expandable Memory Options

Yes

Apple Macintosh Operating Systems Supported

Mac OS X, Mac OS 9.x

Citrix MetaFrame

Microsoft Windows 2000 Server running Terminal Services with Citrix MetaFrame XP Presentation Server or Citrix MetaFrame Presentation Server 3.0., Microsoft Windows Server 2003 running Terminal Services with Citrix MetaFrame XP Presentation Server or Citrix MetaFrame Presentation Server 3.0, Microsoft Windows 2000 Server running Terminal Services with Citrix Presentation Server 4.0, Microsoft Windows Server 2003 running Terminal Services with Citrix Presentation Server 4.0

Linux Operating Systems Supported

Red Flag Linux Desktop 4.0, 5.0, Linpus Linux Desktop 9.2, 9.3, Red Hat Enterprise Linux WS 3.0, 4.0, 5.0, SUSE Linux Enterprise Server 8.0, 9.0, 10.0, SUSE Linux Professional 9.1, 9.2, 9.3, Debian GNU/Linux 3.1, 4.0, Linspire Linux 5.0, SUSE Linux 10.0, 10.1, 10.2

Microsoft Windows Operating Systems Supported

2000, NT (4.00/4.00 Server), Me, XP, Server 2003, 98 2nd Edition, XP x64, Server 2003 running Terminal Services, 2000 Server running Terminal Services, Server 2003 x64, Vista

Novell Operating Systems Supported

NetWare 5.x, 6.x with iPrint or Novell Distributed Print Services (NDPS)

UNIX Operating Systems Supported

Sun Solaris SPARC 8, 9, 10, HP-UX 11.00, 11.1, IBM AIX 5.1, 5.2, 5.3, Sun Solaris x86 10

Other Operating Systems Supported

IBM iSeries or IBM AS/400® Systems with TCP/IP with OS/400® V3R1 or later using OS/400 Host Print

Transform, Virtually any platform supporting TCP/IP

Paper Handling Standard

150-Sheet Output Bin, Integrated Duplex, Single Sheet Exit, Single Sheet Manual Feed, 250-Sheet Input Tray

Paper Handling Optional

550-Sheet Drawer, 250-Sheet Drawer

Paper Input Capacity, Standard

250 pages 20 lb or 75 gsm bond

Paper Input Capacity, Maximum

800 pages 20 lb or 75 gsm bond

Paper Output Capacity, Standard

150 pages 20 lb or 75 gsm bond

Paper Output Capacity, Maximum

150 pages 20 lb or 75 gsm bond

Envelope Capacity

1

Finishing Option

No

Number of Paper Inputs, Standard

2

Number of Paper Inputs, Maximum

3

Media Types Supported

Envelopes, Paper Labels, Plain Paper, Transparencies, Refer to the Card Stock & Label Guide

Media Sizes Supported

10 Envelope, 7 3/4 Envelope, 9 Envelope, A4, A5, B5 Envelope, C5 Envelope, DL Envelope, A6 Card, Executive, Folio, JIS-B5, Legal, Letter, Statement, Universal

Connectivity (standard)

Centronics IEEE 1284 Bidirectional Parallel, Fast Ethernet, USB 2.0 Specification Hi-Speed Certified

Connectivity (optional)

Lexmark N4000e Fast Ethernet (Print Only), Lexmark N4050e 802.11g Wireless Print Server (Print Only), External MarkNet™ N7020e Gigabit Ethernet, External MarkNet™ N7000e Fast Ethernet (USB), External MarkNet™ N7002e Fast Ethernet (parallel)

Network Printing Methods

LPR/LPD, Direct IP (Port 9100), IPP (Internet Printing Protocol), HTTP, Enhanced IP (Port 9400), FTP, TFTP

Network Protocol Support

TCP/IP IPv4, TCP/IP IPv6

Printable Area

4 mm of the top, bottom, right and left edges (within)

Printable Area

0.158 inches of the top, bottom, right and left edges (within)

Printer Languages (Standard)

PCL 5e Emulation, PCL 6 Emulation, PostScript 3 Emulation

Supplies Yield

30,000-page Photoconductor Kit, Ships with 1,500*-page Starter Return Program Toner Cartridge, *Average standard page yield value declared in accordance with ISO/IEC 19752., 3,500*-page Toner Cartridge

Packaged Size (mm - H x W x D)

378 x 470 x 430 mm

Packaged Size (in. - H x W x D)

14.9 x 18.5 x 16.9 in.

Size (mm - H x W x D)

259.5 x 396 x 359 mm

Size (in. - H x W x D)

10.2 x 15.6 x 14.1 in.

Weight (kg)

11.4 kg

Weight (lb.)

25 lb.

Acoustics/Noise level (Idle mode)

inaudible / 20 dBA

Acoustics/Noise level (Operating mode)

50 dBA

Product Guarantee

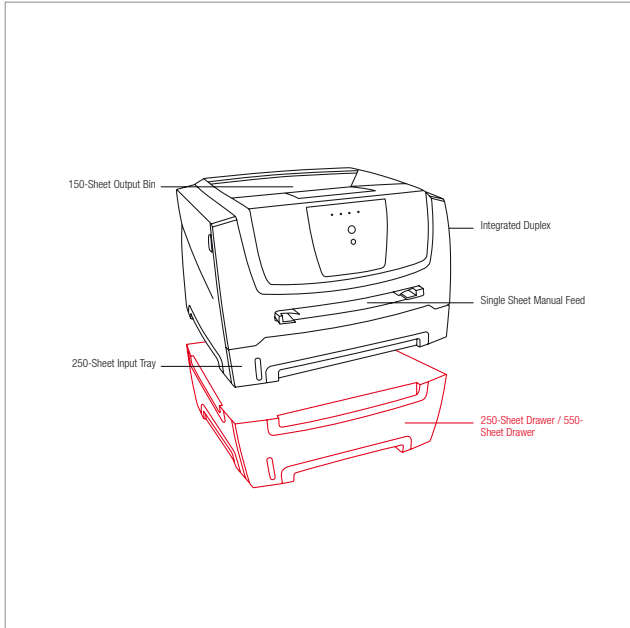
One year return to base, 5-7 business days response time

Product Certifications

FCC Class B, UL 60950-1 3rd Edition, U.S. FDA, IEC 320-1, CSA, ICES Class B, Energy Star, CE Class B, CB IEC 60950-1, IEC 60825-1, GS (TÜV), SEMKO, UL AR, CS, TÜV Rh, N Mark, ACA C-tick Class B, CCC Class B, BSMI Class B, MIC, EK Mark, PSB

Specified Operating Environment

Temperature: 16 to 32°C (60 to 90°F), Altitude: 0 - 2500 Meters (8,200 Feet), Humidity: 8 to 80% Relative Humidity for Temperatures less than 25.5°C (78°F)



Paper Handling Standard
 Paper Handling Optional

Part #	Model
0033S5312	Lexmark E250dn
Part #	Laser Toner/Print Cartridge
0E250A11E	E250, E35X 3.5K RP Toner Cartridge
0E250A21E	E250, E35X 3.5K Toner Cartridge
0E250X22G	E250, E35X, E450 30K Photoconductor Kit
Part #	Paper & Transparencies
0012A5010	Lexmark Laser Printers - A4 Transparency
Part #	Paper Handling
0028S0803	550-Sheet Drawer
0033S0860	250-Sheet Drawer
Part #	Flash, SDRAM Memory
001021257	32MB SDRAM DIMM
001021258	64MB SDRAM DIMM
Part #	Connectivity
001021231	Parallel (10') Cable
001021294	USB (2 Meter) Cable
0014T0155	Lexmark N4050e 802.11g Wireless Print Server
0014T0220	MarkNet™ N7020e Gigabit Ethernet Print Server
Part #	Extended Warranties
002349210	1 Year Return to base Extended Guarantee
002349211	2 Year Return to Base Extended Guarantee
002349214	1 Year Return-to-Base Extended Warranty Renewal
002349194	Exchange base guarantee upgrade
002349100	1 Year Exchange Extended Guarantee
Part #	Service Parts
0040X2848	E450dn Fuser Maintenance Kit HV

Lexmark E350d



High-performance printing for your desktop or small workgroup!

Print Technology

Monochrome Laser

Print Speed (A4, Black)

Up to 33 ppm

Print Speed (Letter, Black)

Up to 35 ppm

Print Speed (A4, Black) Duplex

Up to 16 spm

Print Speed (Letter, Black) Duplex

Up to 16 spm

Time to First Page (Black)

As fast as 6.5 seconds

Print Resolution, Black

1200 Image Quality

1200 x 1200 dpi

2400 Image Quality

600 x 600 dpi

Processor

366 MHz

Memory, Standard

32 MB

Memory, Maximum

160 MB

Expandable Memory Options

Yes

Apple Macintosh Operating Systems Supported

Mac OS X, Mac OS 9.x

Citrix MetaFrame

Microsoft Windows 2000 Server running Terminal Services with Citrix MetaFrame XP Presentation Server or Citrix MetaFrame Presentation Server 3.0., Microsoft Windows Server 2003 running Terminal Services with Citrix MetaFrame XP Presentation Server or Citrix MetaFrame Presentation Server 3.0, Microsoft Windows 2000 Server running Terminal Services with Citrix Presentation Server 4.0, Microsoft Windows Server 2003 running Terminal Services with Citrix Presentation Server 4.0

Linux Operating Systems Supported

Red Flag Linux Desktop 4.0, 5.0, Linpus Linux Desktop 9.2, 9.3, Red Hat Enterprise Linux WS 3.0, 4.0, 5.0, SUSE Linux Enterprise Server 8.0, 9.0, 10.0, SUSE Linux Professional 9.1, 9.2, 9.3, Debian GNU/Linux 3.1, 4.0, Linspire Linux 5.0, SUSE Linux 10.0, 10.1, 10.2

Microsoft Windows Operating Systems Supported

2000, NT (4.00/4.00 Server), Me, XP, Server 2003, 98 2nd Edition, XP x64, Server 2003 running Terminal Services, 2000 Server running Terminal Services, Server 2003 x64, Vista

Paper Handling Standard

150-Sheet Output Bin, Integrated Duplex, Single Sheet Exit, Single Sheet Manual Feed, 250-Sheet Input Tray

Paper Handling Optional

550-Sheet Drawer, 250-Sheet Drawer

Paper Input Capacity, Standard

250 pages 20 lb or 75 gsm bond

Paper Input Capacity, Maximum

800 pages 20 lb or 75 gsm bond

Paper Output Capacity, Standard

150 pages 20 lb or 75 gsm bond

Paper Output Capacity, Maximum

150 pages 20 lb or 75 gsm bond

Envelope Capacity

1

Finishing Option

No

Number of Paper Inputs, Standard

2

Number of Paper Inputs, Maximum

3

Media Types Supported

Envelopes, Paper Labels, Plain Paper, Transparencies, Refer to the Card Stock & Label Guide

Media Sizes Supported

10 Envelope, 7 3/4 Envelope, 9 Envelope, A4, A5, B5 Envelope, C5 Envelope, DL Envelope, A6 Card, Executive, Folio, JIS-B5, Legal, Letter, Statement, Universal

Connectivity (standard)

Centronics IEEE-1284 Bidirectional Parallel, USB 2.0 Specification Hi-Speed Certified

Connectivity (optional)

Lexmark N4000e Fast Ethernet (Print Only), Lexmark N4050e 802.11g Wireless Print Server (Print Only), External MarkNet™ N7020e Gigabit Ethernet, External MarkNet™ N7000e Fast Ethernet (USB), External MarkNet™ N7002e Fast Ethernet (parallel)

Printable Area

4 mm of the top, bottom, right and left edges (within)

Printable Area

0.158 inches of the top, bottom, right and left edges (within)

Printer Languages (Standard)

PCL 5e Emulation, PCL 6 Emulation, PPDS, PostScript 3 Emulation

Supplies Yield

30,000-page Photoconductor Kit, Ships with 1,500*-page Starter Return Program Toner Cartridge, *Average standard page yield value declared in accordance with ISO/IEC 19752., 9,000*-page High Yield Toner Cartridge, 3,500*-page Toner Cartridge

Packaged Size (mm - H x W x D)

378 x 470 x 430 mm

Packaged Size (in. - H x W x D)

14.9 x 18.5 x 16.9 in.

Size (mm - H x W x D)

259.5 x 396 x 359 mm

Size (in. - H x W x D)

10.2 x 15.6 x 14.1 in.

Weight (kg)

11.4 kg

Weight (lb.)

25.0 lb.

Acoustics/Noise level (Idle mode)

Inaudible dBA

Acoustics/Noise level (Operating mode)

52 dBA

Product Guarantee

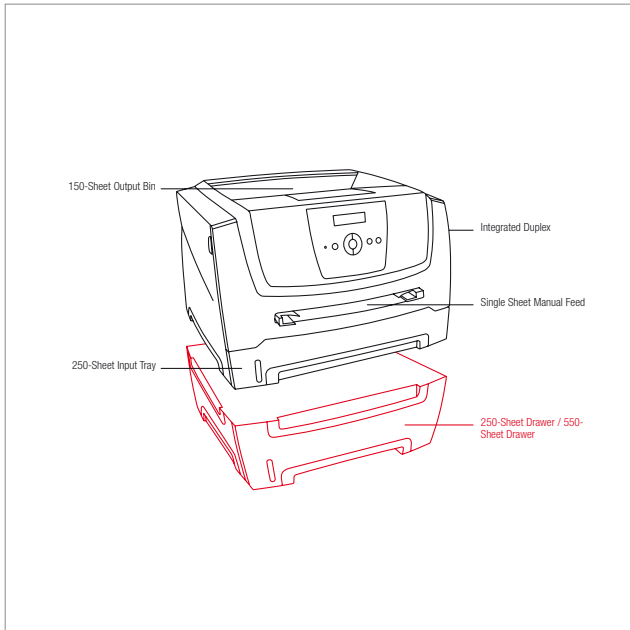
One year return to base, 5-7 business days response time

Product Certifications

FCC Class B, UL 60950-1 3rd Edition, U.S. FDA, IEC 320-1, CSA, ICES Class B, Energy Star, CE Class B, CB IEC 60950-1, IEC 60825-1, GS (TUV), SEMKO, UL AR, CS, TÜV Rh, N Mark, ACA C-tick Class B, CCC Class B, BSMI Class B, MIC, EK Mark, PSB

Specified Operating Environment

Temperature: 16 to 32°C (60 to 90°F), Altitude: 0 - 2500 Meters (8,200 Feet), Humidity: 8 to 80% Relative Humidity for Temperatures less than 25.5°C (78°F)



Paper Handling Standard
 Paper Handling Optional

Part #	Model
0033S0412	Lexmark E350d
Part #	Laser Toner/Print Cartridge
0E352H11E	E35X 9K Return Program Toner Cartridge
0E250A11E	E250, E35X 3.5K RP Toner Cartridge
0E352H21E	E35X 9K Toner Cartridge
0E250A21E	E250, E35X 3.5K Toner Cartridge
0E250X22G	E250, E35X, E450 30K Photoconductor Kit
Part #	Paper & Transparencies
0012A5010	Lexmark Laser Printers - A4 Transparency
Part #	Paper Handling
0028S0803	550-Sheet Drawer
0033S0860	250-Sheet Drawer
Part #	Flash, SDRAM Memory
001021208	32MB Flash Card
001021243	Japanese Font Card
001021240	Korean Font Card
001021241	Simplified Chinese Font Card
001021242	Traditional Chinese Font Card
001021257	32MB SDRAM DIMM
001021258	64MB SDRAM DIMM
001021259	128MB SDRAM DIMM
Part #	Connectivity
001021231	Parallel (10') Cable
001021294	USB (2 Meter) Cable
0014T0040	Lexmark N4000e Fast Ethernet Print Server
0014T0155	Lexmark N4050e 802.11g Wireless Print Server
0014T0230	MarkNet™ N7000e Fast Ethernet Print Server - USB
0014T0220	MarkNet™ N7020e Gigabit Ethernet Print Server
0014T0240	MarkNet™ N7002e Fast Ethernet Print Server - Parallel
Part #	Extended Warranties
002349218	1 Year Return to Base Extended Guarantee
002349219	2 Year Return-to-Base Extended Guarantee
002349222	1 Year Return-to-Base Extended Guarantee Renewal
002349195	Exchange base guarantee exchange



Lexmark E352dn

High-performance printing for your desktop or small workgroup!

Print Technology

Monochrome Laser

Print Speed (A4, Black)

Up to 33 ppm

Print Speed (Letter, Black)

Up to 35 ppm

Print Speed (A4, Black) Duplex

Up to 16 spm

Print Speed (Letter, Black) Duplex

Up to 16 spm

Time to First Page (Black)

As fast as 6.5 seconds

Print Resolution, Black

1200 Image Quality

1200 x 1200 dpi

2400 Image Quality

600 x 600 dpi

Processor

366 MHz

Memory, Standard

32 MB

Memory, Maximum

160 MB

Expandable Memory Options

Yes

Apple Macintosh Operating Systems Supported

Mac OS X, Mac OS 9.x

Citrix MetaFrame

Citrix, MetaFrame and MetaFrame XP are registered trademarks or trademarks of Citrix Systems, Inc. in the U.S. and other countries., Microsoft Windows 2000 Server running Terminal Services with Citrix MetaFrame XP Presentation Server or Citrix MetaFrame Presentation Server 3.0., Microsoft Windows Server 2003 running Terminal Services with Citrix MetaFrame XP Presentation Server or Citrix MetaFrame Presentation Server 3.0., Microsoft Windows 2000 Server running Terminal Services with Citrix Presentation Server 4.0, Microsoft Windows Server 2003 running Terminal Services with Citrix Presentation Server 4.0

Linux Operating Systems Supported

Red Flag Linux Desktop 4.0, 5.0, Linpus Linux Desktop 9.2, 9.3, Red Hat Enterprise Linux WS 3.0, 4.0, 5.0, SUSE Linux Enterprise Server 8.0, 9.0, 10.0, SUSE Linux Professional 9.1, 9.2, 9.3, Debian GNU/Linux 3.1, 4.0, Linspire Linux 5.0, SUSE Linux 10.0, 10.1, 10.2

Microsoft Windows Operating Systems Supported

2000, NT (4.00/4.0 Server), Me, XP, Server 2003, 98 2nd Edition, XP x64, Server 2003 running Terminal Services, 2000 Server running Terminal Services, Server 2003 x64, Vista

Novell Operating Systems Supported

NetWare 5.x, 6.x with iPrint or Novell Distributed Print Services (NDFS)

UNIX Operating Systems Supported

Sun Solaris SPARC 8, 9, 10, HP-UX 11.00, 11.1, IBM AIX 5.1, 5.2, 5.3, Sun Solaris x86 10

Other Operating Systems Supported

IBM iSeries or IBM AS/400® Systems with TCP/IP with OS/400® V3R1 or later using OS/400 Host Print Transform, Virtually any platform supporting TCP/IP

Paper Handling Standard

150-Sheet Output Bin, Integrated Duplex, Single Sheet Exit, Single Sheet Manual Feed, 250-Sheet Input Tray

Paper Handling Optional

550-Sheet Drawer, 250-Sheet Drawer

Paper Input Capacity, Standard

250 pages 20 lb or 75 gsm bond

Paper Input Capacity, Maximum

800 pages 20 lb or 75 gsm bond

Paper Output Capacity, Standard

150 pages 20 lb or 75 gsm bond

Paper Output Capacity, Maximum

150 pages 20 lb or 75 gsm bond

Envelope Capacity

1

Finishing Option

No

Number of Paper Inputs, Standard

2

Number of Paper Inputs, Maximum

3

Media Types Supported

Envelopes, Paper Labels, Plain Paper, Transparencies, Refer to the Card Stock & Label Guide

Media Sizes Supported

10 Envelope, 7 3/4 Envelope, 9 Envelope, A4, A5, B5 Envelope, C5 Envelope, DL Envelope, A6 Card, Executive, Folio, JIS-B5, Legal, Letter, Statement, Universal

Connectivity (standard)

Centronics IEEE 1284 Bidirectional Parallel, Fast Ethernet, USB 2.0 Specification Hi-Speed Certified

Connectivity (optional)

Lexmark N4000e Fast Ethernet (Print Only), Lexmark N4050e 802.11g Wireless Print Server (Print Only), External MarkNet™ N7020e Gigabit Ethernet, External MarkNet™ N7000e Fast Ethernet (USB), External MarkNet™ N7002e Fast Ethernet (parallel)

Network Printing Methods

LPR/LPD, Direct IP (Port 9100), IPP (Internet Printing Protocol), HTTP, Enhanced IP (Port 9400), FTP, FTPT

Network Protocol Support

TCP/IP IPv4, AppleTalk™, TCP/IP IPv6

Printable Area

4 mm of the top, bottom, right and left edges (within)

Printable Area

0.158 inches of the top, bottom, right and left edges (within)

Printer Languages (Standard)

PCL 5e Emulation, PCL 6 Emulation, PPDS, PostScript 3 Emulation

Supplies Yield

30,000-page Photoconductor Kit, *Average standard page yield value declared in accordance with ISO/IEC 19752, 9,000*-page High Yield Toner Cartridge, 3,500*-page Toner Cartridge, Ships with 3,000*-page Starter Return Program Toner Cartridge

Packaged Size (mm - H x W x D)

378 x 470 x 430 mm

Packaged Size (in. - H x W x D)

14.9 x 18.5 x 16.9 in.

Size (mm - H x W x D)

259.5 x 396 x 359 mm

Size (in. - H x W x D)

10.2 x 15.6 x 14.1 in.

Weight (kg)

11.4 kg

Weight (lb.)

25.0 lb.

Acoustics/Noise level (Idle mode)

inaudible dBA

Acoustics/Noise level (Operating mode)

52 dBA

Product Guarantee

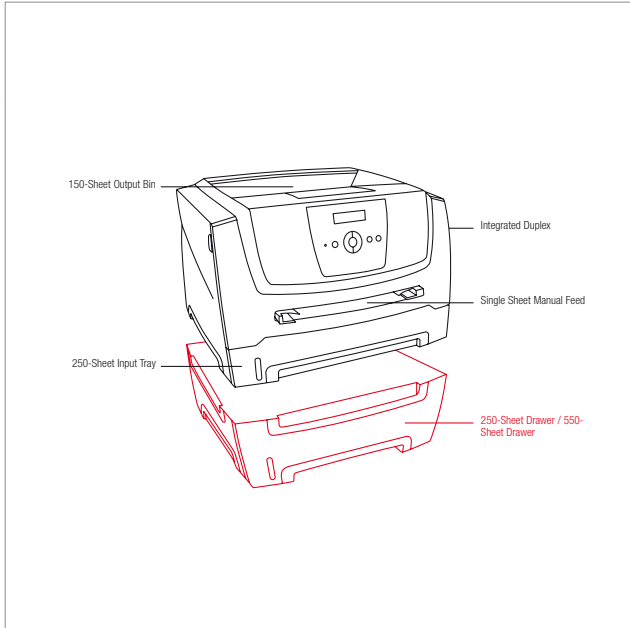
One year return to base, 5-7 business days response time

Product Certifications

FCC Class B, UL 60950-1 3rd Edition, U.S. FDA, IEC 320-1, CSA, IECES Class B, Energy Star, CE Class B, CB IEC 60950-1, IEC 60825-1, GS (TUV), SEMKO, UL AR, CS, TÜV Rh, N Mark, ACA C-tick Class B, CCC Class B, BSMI Class B, M, KC, EK Mark, PSB

Specified Operating Environment

Temperature: 16 to 32°C (60 to 90°F), Altitude: 0 - 2500 Meters (8,200 Feet), Humidity: 8 to 80% Relative Humidity for Temperatures less than 25.5°C (78°F)



Paper Handling Standard
 Paper Handling Optional

Part #	Model
0033S0512	Lexmark E352dn
Part #	Laser Toner/Print Cartridge
0E352H11E	E35X 9K Return Program Toner Cartridge
0E250A11E	E250, E35X 3.5K RP Toner Cartridge
0E352H21E	E35X 9K Toner Cartridge
0E250A21E	E250, E35X 3.5K Toner Cartridge
0E250X22G	E250, E35X, E450 30K Photoconductor Kit
Part #	Paper & Transparencies
0012A5010	Lexmark Laser Printers - A4 Transparency
Part #	Paper Handling
0028S0803	550-Sheet Drawer
0033S0860	250-Sheet Drawer
Part #	Flash, SDRAM Memory
001021208	32MB Flash Card
001021243	Japanese Font Card
001021240	Korean Font Card
001021241	Simplified Chinese Font Card
001021242	Traditional Chinese Font Card
001021257	32MB SDRAM DIMM
001021258	64MB SDRAM DIMM
001021259	128MB SDRAM DIMM
Part #	Connectivity
001021231	Parallel (10') Cable
001021294	USB (2 Meter) Cable
0014T0155	Lexmark N4050e 802.11g Wireless Print Server
0014T0220	MarkNet™ N7020e Gigabit Ethernet Print Server
Part #	Extended Warranties
002349218	1 Year Return to Base Extended Guarantee
002349219	2 Year Return-to-Base Extended Guarantee
002349222	1 Year Return-to-Base Extended Guarantee Renewal
002349195	Exchange base guarantee exchange



Lexmark E450dn

Compact, easy to use and packed with performance!

Print Technology

Monochrome Laser

Print Speed (A4, Black)

Up to 33 ppm

Print Speed (Letter, Black)

Up to 35 ppm

Print Speed (A4, Black) Duplex

Up to 16 spm

Print Speed (Letter, Black) Duplex

Up to 16 spm

Time to First Page (Black)

As fast as 7 seconds

Print Resolution, Black

1200 Image Quality

1200 x 1200 dpi

2400 Image Quality

600 x 600 dpi

Processor

400 MHz

Memory, Standard

64 MB

Memory, Maximum

320 MB

Expandable Memory Options

Yes

Apple Macintosh Operating Systems Supported

Mac OS X, Mac OS 9.x

Citrix MetaFrame

Citrix, MetaFrame and MetaFrame XP are registered trademarks or trademarks of Citrix Systems, Inc. in the U.S. and other countries. Microsoft Windows 2000 Server running Terminal Services with Citrix MetaFrame XP Presentation Server or Citrix MetaFrame Presentation Server 3.0, Microsoft Windows Server 2003 running Terminal Services with Citrix MetaFrame XP Presentation Server or Citrix MetaFrame Presentation Server 3.0, Microsoft Windows 2000 Server running Terminal Services with Citrix Presentation Server 4.0, Microsoft Windows Server 2003 running Terminal Services with Citrix Presentation Server 4.0

Linux Operating Systems Supported

Red Flag Linux Desktop 4.0, 5.0, Linpus Linux Desktop 9.2, 9.3, Red Hat Enterprise Linux WS 3.0, 4.0, 5.0, SUSE Linux Enterprise Server 8.0, 9.0, 10.0, SUSE Linux Professional 9.1, 9.2, 9.3, Debian GNU/Linux 3.1, 4.0, Linspire Linux 5.0, SUSE Linux 10.0, 10.1, 10.2

Microsoft Windows Operating Systems Supported

2000, NT (4.0/4.0 Server), Me, XP, Server 2003, 98 2nd Edition, XP x64, Server 2003 running Terminal Services, 2000 Server running Terminal Services, Server 2003 x64, Vista

Novell Operating Systems Supported

NetWare 5.x, 6.x with iPrint or Novell Distributed Print Services (NDFS)

UNIX Operating Systems Supported

Sun Solaris SPARC 8, 9, 10, HP-UX 11.00, 11.1, IBM AIX 5.1, 5.2, 5.3, Sun Solaris x86 10

Other Operating Systems Supported

IBM iSeries or IBM AS/400® Systems with TCP/IP with OS/400® V3R1 or later using OS/400 Host Print Transform, Virtually any platform supporting TCP/IP

Paper Handling Standard

150-Sheet Output Bin, Integrated Duplex, Single Sheet Exit, Single Sheet Manual Feed, 250-Sheet Input Tray

Paper Handling Optional

550-Sheet Drawer, 250-Sheet Drawer

Paper Input Capacity, Standard

250 pages 20 lb or 75 gsm bond

Paper Input Capacity, Maximum

800 pages 20 lb or 75 gsm bond

Paper Output Capacity, Standard

150 pages 20 lb or 75 gsm bond

Paper Output Capacity, Maximum

150 pages 20 lb or 75 gsm bond

Envelope Capacity

1

Finishing Option

No

Number of Paper Inputs, Standard

2

Number of Paper Inputs, Maximum

3

Media Types Supported

Card Stock, Envelopes, Paper Labels, Plain Paper, Transparencies, Refer to the Card Stock & Label Guide

Media Sizes Supported

10 Envelope, 7 3/4 Envelope, 9 Envelope, A4, A5, B5 Envelope, C5 Envelope, DL Envelope, A6 Card, Executive, Folio, JIS-B5, Legal, Letter, Statement, Universal

Connectivity (standard)

Centronics IEEE 1284 Bidirectional Parallel, Fast Ethernet, USB 2.0 Specification Hi-Speed Certified

Connectivity (optional)

Lexmark N4000e Fast Ethernet (Print Only), Lexmark N4050e 802.11g Wireless Print Server (Print Only), External MarkNet™ N7020e Gigabit Ethernet, External MarkNet™ N7000e Fast Ethernet (USB), External MarkNet™ N7002e Fast Ethernet (parallel)

Network Printing Methods

LPR/LPD, Direct IP (Port 9100), IPP (Internet Printing Protocol), HTTP, Enhanced IP (Port 9400), FTP, TFTP

Network Protocol Support

TCP/IP IPv4, AppleTalk™, TCP/IP IPv6

Printable Area

4 mm of the top, bottom, right and left edges (within)

Printable Area

0.158 inches of the top, bottom, right and left edges (within)

Printer Languages (Standard)

PCL 5e Emulation, PCL 6 Emulation, PPDS, PostScript 3 Emulation, PDF-1.5 Emulation

Supplies Yield

30,000-page Photoconductor Kit, *Average standard page yield value declared in accordance with ISO/IEC 19752, 11,000*-page High Yield Toner Cartridge, 6,000*-page Toner Cartridge, Ships with 6,000*-page Return Program Toner Cartridge

Packaged Size (mm - H x W x D)

378 x 470 x 430 mm

Packaged Size (in. - H x W x D)

14.9 x 18.5 x 16.9 in.

Size (mm - H x W x D)

259.5 x 396 x 359 mm

Size (in. - H x W x D)

10.2 x 15.6 x 14.1 in.

Weight (kg)

11.4 kg

Weight (lb.)

25.0 lb.

Acoustics/Noise level (Idle mode)

inaudible dBA

Acoustics/Noise level (Operating mode)

52 dBA

Product Guarantee

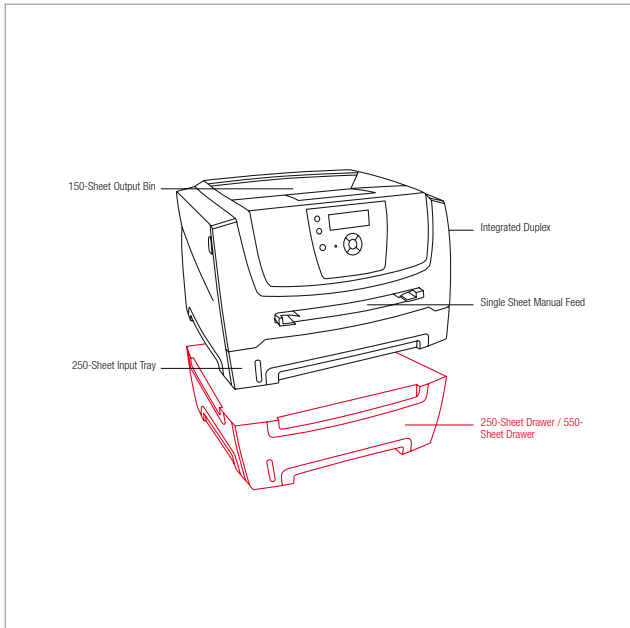
One year return to base, 5-7 business days response time

Product Certifications

FCC Class B, UL 60950-1 3rd Edition, U.S. FDA, IEC 320-1, CSA, ICES Class B, Energy Star, CE Class B, CB IEC 60950-1, IEC 60825-1, GS (TÜV), SEMKO, UL AR, CS, TÜV Rh, N Mark, ACA C-tick Class B, CCC Class B, BSMI Class B, M, KC, EK Mark, PSB

Specified Operating Environment

Temperature: 16 to 32°C (60 to 90°F), Altitude: 0 - 2500 Meters (8,200 Feet), Humidity: 8 to 80% Relative Humidity for Temperatures less than 25.5°C (78°F)



Paper Handling Standard
 Paper Handling Optional

Part #	Model
0033S0712	Lexmark E450dn
Part #	Laser Toner/Print Cartridge
0E450H11E	E450 11K Return Program Toner Cartridge
0E450A11E	E450 6K Return Program Toner Cartridge
0E450H21E	E450 11K Toner Cartridge
0E450A21E	E450 6K Toner Cartridge
0E250X22G	E250, E35X, E450 30K Photoconductor Kit
Part #	Paper & Transparencies
0012A5010	Lexmark Laser Printers - A4 Transparency
Part #	Paper Handling
0028S0803	550-Sheet Drawer
0033S0860	250-Sheet Drawer
Part #	Flash, SDRAM Memory
001021208	32MB Flash Card
001021243	Japanese Font Card
001021240	Korean Font Card
001021241	Simplified Chinese Font Card
001021242	Traditional Chinese Font Card
001021257	32MB SDRAM DIMM
001021258	64MB SDRAM DIMM
001021259	128MB SDRAM DIMM
001021260	256MB SDRAM DIMM
Part #	Application Cards / SIMMs
0033S0810	E450 Bar Code Card
0033S0820	E450 Forms Card
0033S8520	E450 Card for PRESCRIBE Emulation
Part #	Connectivity
001021231	Parallel (10') Cable
001021294	USB (2 Meter) Cable
0014T0155	Lexmark N4050e 802.11g Wireless Print Server
0014T0220	MarkNet™ N7020e Gigabit Ethernet Print Server
Part #	Extended Warranties
002349225	1 Year Return-to-Base Extended Guarantee
002349226	2 Year Return-to-Base Extended Guarantee
002349227	3 Year Return to Base Extended Guarantee
002349229	1 Year Return-to-Base Extended Guarantee Renewal
002349165	On site repair base guarantee upgrade
002349166	1 Year Onsite Repair Extended Guarantee
002349167	2 Year Onsite Repair Extended Warranty
002349170	1 Year Renewal Onsite Repair Guarantee
Part #	Service Parts
0040X2848	E450dn Fuser Maintenance Kit HV



Lexmark T640

High-performance printing for
budget-sensitive workgroups

Print Technology

Monochrome Laser

Print Speed (A4, Black)

Up to 33 ppm

Print Speed (Letter, Black)

Up to 35 ppm

Time to First Page (Black)

As fast as 6 seconds

Print Resolution, Black

1200 Image Quality

1200 x 1200 dpi

2400 Image Quality

600 x 600 dpi

Processor

400 MHz

Memory, Standard

64 MB

Memory, Maximum

576 MB

Expandable Memory Options

Yes

Apple Macintosh Operating Systems Supported

Mac OS X, Mac OS 9.x

Citrix MetaFrame

Microsoft Windows 2000 Server running Terminal Services with Citrix MetaFrame XP Presentation Server or Citrix MetaFrame Presentation Server 3.0., Microsoft Windows Server 2003 running Terminal Services with Citrix MetaFrame XP Presentation Server or Citrix MetaFrame Presentation Server 3.0, Microsoft Windows 2000 Server running Terminal Services with Citrix Presentation Server 4.0, Microsoft Windows Server 2003 running Terminal Services with Citrix Presentation Server 4.0

Linux Operating Systems Supported

Red Hat Linux 7.3, 8.0, 9.0, Red Flag Linux Desktop 4.0, 5.0, Linpus Linux Desktop 9.2, 9.3, Red Hat Enterprise Linux WS 3.0, 4.0, 5.0, SUSE Linux Enterprise Server 8.0, 9.0, 10.0, SUSE Linux Professional 9.1, 9.2, 9.3, Debian GNU/Linux 3.1, 4.0, Linspire Linux 5.0

Microsoft Windows Operating Systems Supported

2000, NT (4.00/4.00 Server), Me, XP, Server 2003, 98 2nd Edition, XP x64, Server 2003 running Terminal Services, 2000 Server running Terminal Services, Server 2003 x64, Server 2003 x64 running Terminal Services, Vista, Vista x64

Novell Operating Systems Supported

Open Enterprise Server for Netware with NDS, iPrint or Novell Distributed Print Services (NDPS), NetWare® 3.2, 4.2 (bindery), NetWare 4.2, 5.x and 6.x (NDS), NetWare 5.x, 6.x with iPrint or Novell Distributed Print Services (NDPS)

UNIX Operating Systems Supported

Sun Solaris SPARC 8, 9, 10, HP-UX 11.00, 11.1, IBM AIX 5.1, 5.2, 5.3

Other Operating Systems Supported

IBM iSeries or IBM AS/400® Systems with TCP/IP with OS/400® V3R1 or later using OS/400 Host Print

Transform, Virtually any platform supporting TCP/IP

Paper Handling Standard

250-Sheet Output Bin, 100-Sheet Multipurpose Feeder,

250-Sheet Input Tray

Paper Handling Optional

1,850-Sheet High-capacity Output Stacker, 200-Sheet

Universally Adjustable Tray with Drawer, 400-Sheet

Universally Adjustable Tray with Drawer, 5-Bin Mailbox,

650-Sheet Output Expander, Envelope Feeder,

StapleSmart Finisher, 250-Sheet Drawer, 250-Sheet

Duplex Unit, 500-Sheet Drawer, 2,000-Sheet High-

capacity Feeder

Paper Input Capacity, Standard

350 pages 20 lb or 75 gsm bond

Paper Input Capacity, Maximum

3850 pages 20 lb or 75 gsm bond

Paper Output Capacity, Standard

250 pages 20 lb or 75 gsm bond

Paper Output Capacity, Maximum

2750 pages 20 lb or 75 gsm bond

Envelope Capacity

85

Finishing Option

Yes

Number of Paper Inputs, Standard

2

Number of Paper Inputs, Maximum

6

Media Types Supported

Card Stock, Dual Web Labels, Envelopes, Integrated Labels, Paper Labels, Plain Paper, Polyester Labels, Transparencies, Vinyl Labels, Refer to the Card Stock & Label Guide

Media Sizes Supported

10 Envelope, 7 3/4 Envelope, 9 Envelope, A4, A5, DL Envelope, Executive, Folio, JIS-B5, Legal, Letter, Statement, Universal

Connectivity (standard)

Centronics IEEE 1284 Bidirectional Parallel, One Internal Card Slot, USB Compatible with USB 2.0 Specification, USB Direct interface on Operator Panel

Connectivity (optional)

Coax/Twinax Adapter for SCS, Lexmark N4000e Fast Ethernet (Print Only), Lexmark N4050e 802.11g Wireless Print Server (Print Only), Internal MarkNet™ N8020 Gigabit Ethernet, Internal MarkNet™ N8050 802.11g Wireless, External MarkNet™ N7020e Gigabit Ethernet, External MarkNet™ N7000e Fast Ethernet (USB), External MarkNet™ N7002e Fast Ethernet (parallel), Internal MarkNet™ N8030 Fiber Fast Ethernet, Internal MarkNet™ N8000 Fast Ethernet

Printable Area

4.2 mm of the top, bottom, right and left edges (within)

Printable Area

0.167 inches of the top, bottom, right and left edges (within)

Printer Languages (Standard)

PCL 6 Emulation, PPDS, PostScript 3 Emulation, PDF 1.5 Emulation

Supplies Yield

6,000*-page Print Cartridge, 21,000*-page High Yield Print Cartridge, Ships with 6,000*-page Return Program Print Cartridge, *Average standard page yield value declared in accordance with ISO/IEC 19752.

Packaged Size (mm - H x W x D)

451 x 518 x 591 mm

Packaged Size (in. - H x W x D)

17.75 x 20.38 x 23.25 in.

Size (mm - H x W x D)

345 x 421 x 498 mm

Size (in. - H x W x D)

13.6 x 16.6 x 19.6 in.

Weight (kg)

17 kg

Weight (lb.)

38 lb.

Acoustics/Noise level (Idle mode)

30 dBA

Acoustics/Noise level (Operating mode)

53 dBA

Product Guarantee

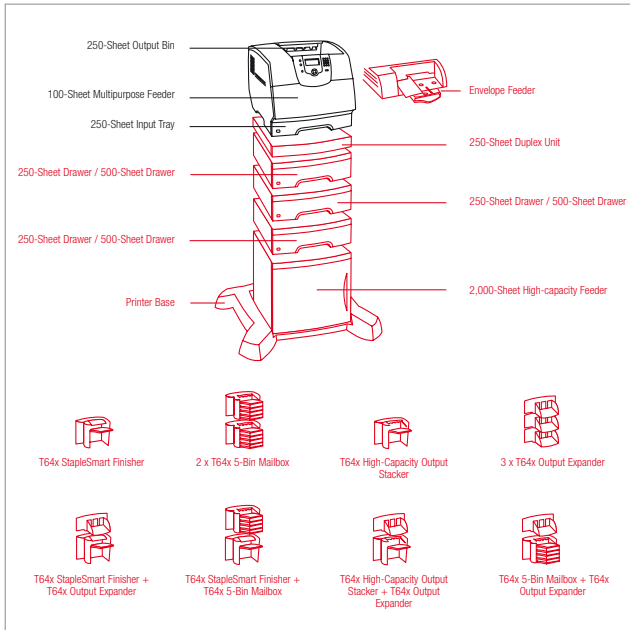
One year on site repair, next business day response time

Product Certifications

Energy Star, CSA, ICES Class B, BSMI Class B, VCCI Class B, FCC Class B, UL 60950 3rd Edition, IEC 320-1, CE Class B, CB IEC 60950, IEC 60825-1, GS (TÜV), SEMKO, UL AR, CS, TÜV Rh, N Mark, C-tick Class BCCC Class B

Specified Operating Environment

Temperature: 16 to 32°C (60 to 90°F), Humidity: 8 to 80% Relative Humidity, Altitude: 0 - 3048 Meters (10,000 Feet)



Paper Handling Standard
 Paper Handling Optional

Part #	Model
0020G0101	Lexmark T640
Part # Laser Toner/Print Cartridge	
0064016HE	T640, T642, T644 High Yield Return Program Print Cartridge
0064016SE	T640, T642, T644 Return Program Print Cartridge
0064004HE	T640, T642, T644 High Yield Return Program Print Cartridge for Label
0064036HE	T640, T642, T644 High Yield Print Cartridge
0064036SE	T640, T642, T644 Print Cartridge
0011K3188	Staple Cartridge (3x3K)
Part # Paper & Transparencies	
0012A5010	Lexmark Laser Printers - A4 Transparency
Part # Paper Handling	
0020G0887	T640 250-Sheet Duplex Unit
0020G0889	T64x 250-Sheet Drawer
0020G0890	T64x 500-Sheet Drawer
0020G0879	T64x 250-Sheet Tray
0020G0893	T64x 2000-Sheet High Capacity Feeder
0020G1223	T64x 200-Sheet Universally Adjustable Drawer
0020G1218	T64x 400-Sheet Universally Adjustable Drawer
0020G0895	T64x 5-Bin Mailbox
0020G0891	T64x Envelope Feeder
0020G0896	T64x High-Capacity Output Stacker
0020G0894	T64x Output Expander
0020G0897	T64x StapleSmart Finisher
0011K4648	Horizontal Kiosk Presenter
0011K4647	Vertical Kiosk Presenter
0020G1224	T64x 200-Sheet Universally Adjustable Tray
0020G1360	Adjustable Output Label Support
Part # Furniture	
0016C0379	T Low Profile Printer Stand
0016C0389	T Printer Stand
0016C0369	T Printer Stand with Cabinet
0022G0544	Printer Base
0022G0551	MFP, Printer Cabinet
Part # Flash, SDRAM Memory	
0013N1523	128MB DDR-DRAM
0013N1524	256MB DDR-DRAM
0013N1526	512MB DDR-DRAM
001021208	32MB Flash Card
001021209	64MB Flash Card
001021243	Japanese Font Card
001021240	Korean Font Card
001021241	Simplified Chinese Font Card
001021242	Traditional Chinese Font Card
Part # Hard disk	
0013N1541	40+GB Hard Disk with Adapter

Part #	Application Cards / SIMMs
0020G0739	T64x Card for PRESCRIBE Emulation
0020G0742	T64x Forms Card
0020GR201	T64x RFID UHF Option
Part # Connectivity	
001021294	USB (2 Meter) Cable
001021231	Parallel (10') Cable
001021091	Parallel 1284-B Interface Card
001021092	RS-232C Serial Interface Card
0014S0240	Coax/Twinax Adapter for SCSI
0014S0230	MarkNet™ N8000 Fast Ethernet Print Server
0014S0200	MarkNet N8020 Gigabit Ethernet Print Server
0014S0220	MarkNet N8030 Fiber Ethernet 100BaseFX, 10BaseFL
0014S0210	MarkNet N8050 802.11g Wireless Print Server
0014T0040	Lexmark N4000e Fast Ethernet Print Server
0014T0155	Lexmark N4050e 802.11g Wireless Print Server
0014T0230	MarkNet™ N7000e Fast Ethernet Print Server - USB
0014T0240	MarkNet™ N7002e Fast Ethernet Print Server - Parallel
0014T0220	MarkNet™ N7020e Gigabit Ethernet Print Server
Part # Extended Warranties	
002347459	2 Year OnSite Repair Guarantee (1+1)
002347460	3 Year OnSite Repair Guarantee (1+2)
002347461	4 Year OnSite Repair Guarantee (1+3)
002348064	1 Year OnSite Repair Guarantee Renewal
Part # User Replaceable Parts	
0040X0127	T64x, X644e, X646e Dual Charge Roll Assembly
0040X0130	T64x, X644e, X646e Transfer Roll Assembly
0040X2665	T64x, X644e, X646e Oil Fuser Wiper
0040X2666	T64x, X644e, X646e Wax Fuser Wiper
Part # Service Parts	
0040X0100	X644e, X646e Fuser Maintenance Kit LV
0040X0101	X644e, X646e Fuser Maintenance Kit HV

MONO LASER



Lexmark T640n

High-performance printing for budget-sensitive workgroups

Print Technology

Monochrome Laser

Print Speed (A4, Black)

Up to 33 ppm

Print Speed (Letter, Black)

Up to 35 ppm

Time to First Page (Black)

As fast as 6 seconds

Print Resolution, Black

1200 Image Quality

1200 x 1200 dpi

2400 Image Quality

600 x 600 dpi

Processor

400 MHz

Memory, Standard

64 MB

Memory, Maximum

576 MB

Expandable Memory Options

Yes

Apple Macintosh Operating Systems Supported

Mac OS X, Mac OS 9.x

Citrix MetaFrame

Microsoft Windows 2000 Server running Terminal Services with Citrix MetaFrame XP Presentation Server or Citrix MetaFrame Presentation Server 3.0., Microsoft Windows Server 2003 running Terminal Services with Citrix MetaFrame XP Presentation Server or Citrix MetaFrame Presentation Server 3.0, Microsoft Windows 2000 Server running Terminal Services with Citrix Presentation Server 4.0, Microsoft Windows Server 2003 running Terminal Services with Citrix Presentation Server 4.0

Linux Operating Systems Supported

Red Flag Linux Desktop 4.0, 5.0, Linpus Linux Desktop 9.2, 9.3, Red Hat Enterprise Linux WS 3.0, 4.0, 5.0, SUSE Linux Enterprise Server 8.0, 9.0, 10.0, SUSE Linux Professional 9.1, 9.2, 9.3, Debian GNU/Linux 3.1, 4.0, Linspire Linux 5.0

Microsoft Windows Operating Systems Supported

2000, NT (4.00/4.00 Server), Me, XP, Server 2003, 98 2nd Edition, XP x64, Server 2003 running Terminal Services, 2000 Server running Terminal Services, Server 2003 x64, Server 2003 x64 running Terminal Services, Vista, Vista x64

Novell Operating Systems Supported

Open Enterprise Server for Netware with NDS, iPrint or Novell Distributed Print Services (NDPS), NetWare® 3.2, 4.2 (bindery), NetWare 4.2, 5.x and 6.x (NDS), NetWare 5.x, 6.x with iPrint or Novell Distributed Print Services (NDPS)

UNIX Operating Systems Supported

Sun Solaris SPARC 8, 9, 10, HP-UX 11.00, 11.1, IBM AIX 5.1, 5.2, 5.3

Other Operating Systems Supported

IBM iSeries or IBM AS/400® Systems with TCP/IP with OS/400® V3R1 or later using OS/400 Host Print

Transform, Virtually any platform supporting TCP/IP

Paper Handling Standard

250-Sheet Output Bin, 100-Sheet Multipurpose Feeder,

250-Sheet Input Tray

Paper Handling Optional

1,850-Sheet High-capacity Output Stacker, 200-Sheet

Universally Adjustable Tray with Drawer, 400-Sheet

Universally Adjustable Tray with Drawer, 5-Bin Mailbox,

650-Sheet Output Expander, Envelope Feeder,

StapleSmart Finisher, 250-Sheet Drawer, 250-Sheet

Duplex Unit, 500-Sheet Drawer, 2,000-Sheet High-

capacity Feeder

Paper Input Capacity, Standard

350 pages 20 lb or 75 gsm bond

Paper Input Capacity, Maximum

3850 pages 20 lb or 75 gsm bond

Paper Output Capacity, Standard

250 pages 20 lb or 75 gsm bond

Paper Output Capacity, Maximum

2750 pages 20 lb or 75 gsm bond

Envelope Capacity

85

Finishing Option

Yes

Number of Paper Inputs, Standard

2

Number of Paper Inputs, Maximum

6

Media Types Supported

Card Stock, Dual Web Labels, Envelopes, Integrated Labels, Paper Labels, Plain Paper, Polyester Labels, Transparencies, Vinyl Labels, Refer to the Card Stock & Label Guide

Media Sizes Supported

10 Envelope, 7 3/4 Envelope, 9 Envelope, A4, A5, DL Envelope, Executive, Folio, JIS-B5, Legal, Letter, Statement, Universal

Connectivity (standard)

Centronics IEEE 1284 Bidirectional Parallel, Fast Ethernet, One Internal Card Slot, USB Compatible with USB 2.0 Specification, USB Direct interface on Operator Panel

Connectivity (optional)

Coax/Twinax Adapter for SCS, Lexmark M4050e 802.11g

Wireless Print Server (Print Only), Internal MarkNet™

N8020 Gigabit Ethernet, Internal MarkNet™ N8050

802.11g Wireless, External MarkNet™ N7020e Gigabit

Ethernet, Internal MarkNet™ N8030 Fiber Fast Ethernet

Network Printing Methods

LPR/LPD, Direct IP (Port 9100), Socket (Raw TCP/IP),

IPP (Internet Printing Protocol), HTTP, NDS Queue-based

Printing, NDPS/NEPS (Novell Distributed Print Services,

Novell Netware Enterprise Print Services), Enhanced IP

(Port 9400)

Network Protocol Support

TCP/IP IPv4, IPX/SPX, AppleTalk™, LexLink (DLC),

TCP/IP IPv6

Network Security

SSL* Enabled Embedded Web Server (HTTPS), SNMPv3,

TCP/IP port access control, Authenticated and encrypted

MarkVision Professional communication, 802.1x

Authentication: MD5, MSCHAPv2, LEAP, PEAP, TLS, TTLS,

IPSec, *This product includes software developed by the

OpenSSL Project for use in the OpenSSL Toolkit.

Printable Area

4.2 mm of the top, bottom, right and left edges (within)

Printable Area

0.167 inches of the top, bottom, right and left edges

(within)

Printer Languages (Standard)

PCL 6 Emulation, PPDS, PostScript 3 Emulation, PDF

1.5 Emulation

Supplies Yield

6,000*-page Print Cartridge, 21,000*-page High Yield

Print Cartridge, Ships with 6,000*-page Return Program

Print Cartridge, *Average standard page yield value

declared in accordance with ISO/IEC 19752.

Packaged Size (mm - H x W x D)

451 x 518 x 591 mm

Packaged Size (in. - H x W x D)

17.75 x 20.38 x 23.25 in.

Size (mm - H x W x D)

345 x 421 x 498 mm

Size (in. - H x W x D)

13.6 x 16.6 x 19.6 in.

Weight (kg)

17 kg

Weight (lb.)

38 lb.

Acoustics/Noise level (Idle mode)

30 dBA

Acoustics/Noise level (Operating mode)

53 dBA

Product Guarantee

One year on site repair, next business day response time

Product Certifications

Energy Star, CSA, ICES Class A, BSMI Class A, VCCI Class A,

FCC Class B, UL 60950 3rd Edition, IEC 320-1, CE

Class A, CB IEC 60950, IEC 60825-1, GS (TUV), SEMKO,

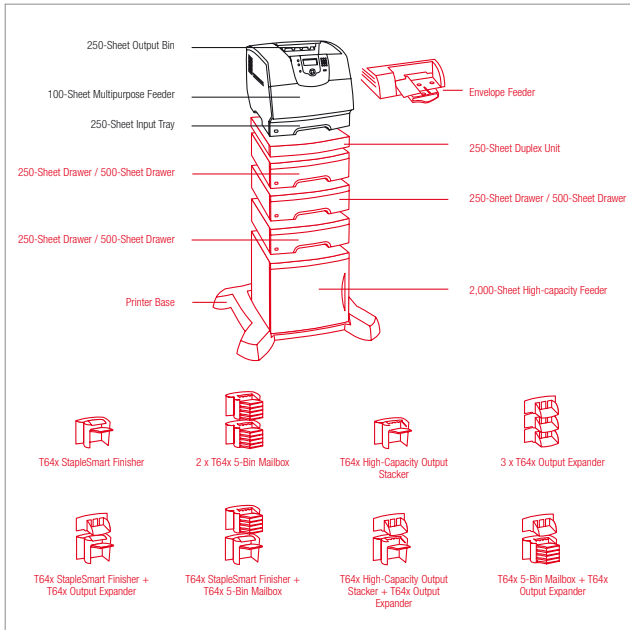
UL AR, CS, TÜV Rh, N Mark, C-tick Class ACCC Class A

Specified Operating Environment

Temperature: 16 to 32°C (60 to 90°F), Humidity: 8

to 80% Relative Humidity, Altitude: 0 - 3048 Meters

(10,000 Feet)



Paper Handling Standard
 Paper Handling Optional

Part #	Model
0020G0151	Lexmark T640n
Part #	Laser Toner/Print Cartridge
0064016HE	T640, T642, T644 High Yield Return Program Print Cartridge
0064016SE	T640, T642, T644 Return Program Print Cartridge
0064004HE	T640, T642, T644 High Yield Return Program Print Cartridge for Label
0064036HE	T640, T642, T644 High Yield Print Cartridge
0064036SE	T640, T642, T644 Print Cartridge
0011K3188	Staple Cartridge (3x3K)
Part #	Paper & Transparencies
0012A5010	Lexmark Laser Printers - A4 Transparency
Part #	Paper Handling
0011K4648	Horizontal Kiosk Presenter
0020G0879	T64x 250-Sheet Tray
0020G1224	T64x 200-Sheet Universally Adjustable Tray
0011K4647	Vertical Kiosk Presenter
0020G0887	T640 250-Sheet Duplex Unit
0020G0893	T64x 2000-Sheet High Capacity Feeder
0020G0889	T64x 250-Sheet Drawer
0020G1223	T64x 200-Sheet Universally Adjustable Drawer
0020G1218	T64x 400-Sheet Universally Adjustable Drawer
0020G0895	T64x 5-Bin Mailbox
0020G0890	T64x 500-Sheet Drawer
0020G0891	T64x Envelope Feeder
0020G0896	T64x High-Capacity Output Stacker
0020G0894	T64x Output Expander
0020G0897	T64x StapleSmart Finisher
0020G1360	Adjustable Output Label Support
Part #	Furniture
0016C0379	T Low Profile Printer Stand
0016C0389	T Printer Stand
0016C0369	T Printer Stand with Cabinet
0022G0544	Printer Base
0022G0551	MFP, Printer Cabinet
Part #	MFP Options
0021J0110	Lexmark 4600 MFP Option
Part #	Flash, SDRAM Memory
0013N1523	128MB DDR-DRAM
0013N1524	256MB DDR-DRAM
0013N1526	512MB DDR-DRAM
001021208	32MB Flash Card
001021209	64MB Flash Card
001021243	Japanese Font Card
001021240	Korean Font Card

001021241	Simplified Chinese Font Card
001021242	Traditional Chinese Font Card
Part #	Hard disk
0013N1541	40+GB Hard Disk with Adapter
Part #	Application Cards / SIMMS
0020G0740	Lexmark PrintCryption Card for the Lexmark T64x
0020G0737	T64x Bar Code Card
0020G0738	T64x Card for IPDS and SCS/TNe
0020G0739	T64x Card for PRESCRIBE Emulation
0020G0742	T64x Forms Card
0020GR201	T64x RPD UHF Option
Part #	Connectivity
001021294	USB (2 Meter) Cable
001021231	Parallel (10') Cable
001021091	Parallel 1284-B Interface Card
001021092	RS-232C Serial Interface Card
0014S0240	Coax/Twinax Adapter for SCS
0014T0040	Lexmark N4000e Fast Ethernet Print Server
0014T0155	Lexmark N4050e 802.11g Wireless Print Server
0014S0210	MarkNet N8050 802.11g Wireless Print Server
0014S0200	MarkNet N8020 Gigabit Ethernet Print Server
0014S0220	MarkNet N8030 Fiber Ethernet 100BaseFX, 10BaseFL
0014T0220	MarkNet™ N7020e Gigabit Ethernet Print Server
Part #	Extended Warranties
002347459	2 Year OnSite Repair Guarantee (1+1)
002347460	3 Year OnSite Repair Guarantee (1+2)
002347461	4 Year OnSite Repair Guarantee (1+3)
002348064	1 Year OnSite Repair Guarantee Renewal
Part #	User Replaceable Parts
0040X0127	T64x, X644e, X646e Dual Charge Roll Assembly
0040X0130	T64x, X644e, X646e Transfer Roll Assembly
0040X2665	T64x, X644e, X646e Oil Fuser Wiper
0040X2666	T64x, X644e, X646e Wax Fuser Wiper
Part #	Service Parts
0040X0100	X644e, X646e Fuser Maintenance Kit LV
0040X0101	X644e, X646e Fuser Maintenance Kit HV



Lexmark T640dn

High-performance printing for budget-sensitive workgroups

Print Technology

Monochrome Laser

Print Speed (A4, Black)

Up to 33 ppm

Print Speed (Letter, Black)

Up to 35 ppm

Print Speed (A4, Black) Duplex

Up to 29 spm

Print Speed (Letter, Black) Duplex

Up to 30 spm

Time to First Page (Black)

As fast as 6 seconds

Print Resolution, Black

1200 Image Quality

1200 x 1200 dpi

2400 Image Quality

600 x 600 dpi

Processor

400 MHz

Memory, Standard

64 MB

Memory, Maximum

576 MB

Expandable Memory Options

Yes

Apple Macintosh Operating Systems Supported

Mac OS X, Mac OS 9.x

Citrix MetaFrame

Citrix, MetaFrame and MetaFrame XP are registered trademarks or trademarks of Citrix Systems, Inc. in the U.S. and other countries., Microsoft Windows 2000 Server running Terminal Services with Citrix MetaFrame XP Presentation Server or Citrix MetaFrame Presentation Server 3.0., Microsoft Windows Server 2003 running Terminal Services with Citrix MetaFrame XP Presentation Server or Citrix MetaFrame Presentation Server 3.0, Microsoft Windows 2000 Server running Terminal Services with Citrix Presentation Server 4.0, Microsoft Windows Server 2003 running Terminal Services with Citrix Presentation Server 4.0

Linux Operating Systems Supported

Red Hat Linux 7.3, 8.0, 9.0, Red Flag Linux Desktop 4.0, 5.0, Linpus Linux Desktop 9.2, 9.3, Red Hat Enterprise Linux WS 3.0, 4.0, 5.0, SUSE Linux Enterprise Server 8.0, 9.0, 10.0, SUSE Linux Professional 9.1, 9.2, 9.3, Debian GNU/Linux 3.1, 4.0, Linspire Linux 5.0

Microsoft Windows Operating Systems Supported

2000, NT (4.00/4.00 Server), Me, XP, Server 2003, 98 2nd Edition, XP x64, Server 2003 running Terminal Services, 2000 Server running Terminal Services, Server 2003 x64, Server 2003 x64 running Terminal Services, Vista, Vista x64

Novell Operating Systems Supported

Open Enterprise Server for Netware with NDS, iPrint or Novell Distributed Print Services (NDPS), NetWare® 3.2, 4.2 (bindery), NetWare 4.2, 5.x and 6.x (NDS), NetWare 5.x, 6.x with iPrint or Novell Distributed Print Services (NDPS)

UNIX Operating Systems Supported

Sun Solaris SPARC 8, 9, 10, HP-UX 11.00, 11.1.1, IBM AIX 5.1, 5.2, 5.3

Other Operating Systems Supported

IBM iSeries or IBM AS/400® Systems with TCP/IP with OS/400® V3R1 or later using OS/400 Host Print Transform, Virtually any platform supporting TCP/IP

Paper Handling Standard

250-Sheet Duplex Unit, 250-Sheet Output Bin, 100-Sheet Multipurpose Feeder, 250-Sheet Input Tray

Paper Handling Optional

1,850-Sheet High-capacity Output Stacker, 200-Sheet Universally Adjustable Tray with Drawer, 400-Sheet Universally Adjustable Tray with Drawer, 5-Bin Mailbox, 650-Sheet Output Expander, Envelope Feeder, StapleSmart Finisher, 250-Sheet Drawer, 500-Sheet Drawer, 2,000-Sheet High-capacity Feeder

Paper Input Capacity, Standard

350 pages 20 lb or 75 gsm bond

Paper Input Capacity, Maximum

3850 pages 20 lb or 75 gsm bond

Paper Output Capacity, Standard

250 pages 20 lb or 75 gsm bond

Paper Output Capacity, Maximum

2750 pages 20 lb or 75 gsm bond

Envelope Capacity

85

Finishing Option

Yes

Number of Paper Inputs, Standard

2

Number of Paper Inputs, Maximum

6

Media Types Supported

Card Stock, Dual Web Labels, Envelopes, Integrated Labels, Paper Labels, Plain Paper, Polyester Labels, Transparencies, Vinyl Labels, Refer to the Card Stock & Label Guide

Media Sizes Supported

10 Envelope, 7 3/4 Envelope, 9 Envelope, A4, A5, DL Envelope, Executive, Folio, JIS-B5, Legal, Letter, Statement, Universal

Connectivity (standard)

Centronics IEEE 1284 Bidirectional Parallel, Fast Ethernet, One Internal Card Slot, USB Compatible with USB 2.0 Specification, USB Direct interface on Operator Panel

Connectivity (optional)

Coax/Twinax Adapter for SCS, Lexmark N4050e 802.11g Wireless Print Server (Print Only), Internal MarkNet™ N8020 Gigabit Ethernet, Internal MarkNet™ N8050 802.11g Wireless, External MarkNet™ N7020e Gigabit Ethernet, Internal MarkNet™ N8030 Fiber Fast Ethernet

Network Printing Methods

LPR/LPD, Direct IP (Port 9100), Socket (Raw TCP/IP),

IPP (Internet Printing Protocol), HTTP, NDS Queue-based Printing, NDPS/NEPS (Novell Distributed Print Services), Novell Netware Enterprise Print Services), Enhanced IP (Port 9400)

Network Protocol Support

TCP/IP IPv4, IPX/SPX, AppleTalk™, LexLink (DLC), TCP/IP IPv6

Network Security

SSL* Enabled Embedded Web Server (HTTPS), SNMPv3, TCP/IP port access control, Authenticated and encrypted MarkVision Professional communication, 802.1x Authentication: MDS, MSCHAPv2, LEAP, PEAP, TLS, TTLS, IPsec, *This product includes software developed by the OpenSSL Project for use in the OpenSSL Toolkit.

Printable Area

4.2 mm of the top, bottom, right and left edges (within)

Printable Area

0.167 inches of the top, bottom, right and left edges (within)

Printer Languages (Standard)

PCL 6 Emulation, PPDS, PostScript 3 Emulation, PDF 1.5 Emulation

Supplies Yield

6,000*-page Print Cartridge, 21,000*-page High Yield Print Cartridge, Ships with 6,000*-page Return Program Print Cartridge, *Average standard page yield value declared in accordance with ISO/IEC 19752.

Packaged Size (mm - H x W x D)

804 x 535 x 695 mm

Packaged Size (in. - H x W x D)

31.66 x 21.06 x 27.36 in.

Size (mm - H x W x D)

396 x 421 x 638 mm

Size (in. - H x W x D)

15.6 x 16.6 x 25.1 in.

Weight (kg)

22.3 kg

Weight (lb.)

49.1 lb.

Acoustics/Noise level (Idle mode)

30 dBA

Acoustics/Noise level (Operating mode)

55 dBA

Product Guarantee

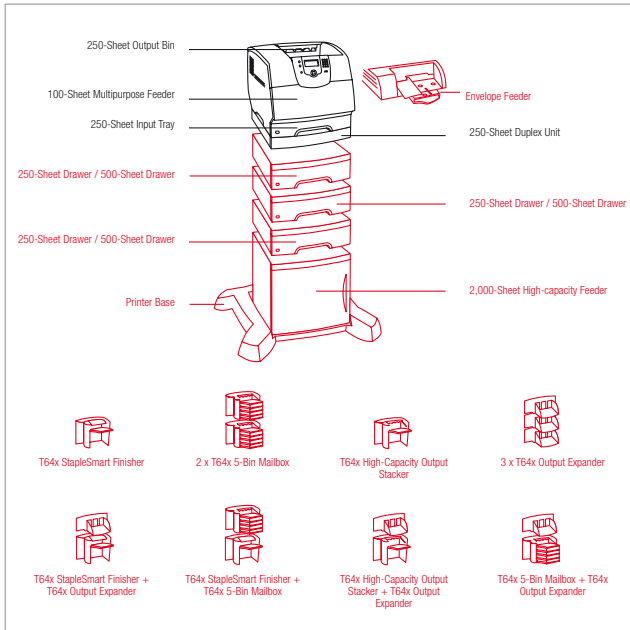
One year on site repair, next business day response time

Product Certifications

CSA, ICES Class A, BSMI Class A, VCCI Class A, FCC Class B, UL 60950 3rd Edition, IEC 320-1, CE Class A, CB IEC 60950, IEC 60825-1, GS (TÜV), SEMKO, UL AR, CS, TÜV Rh, N Mark, C-tick Class ACCC Class A

Specified Operating Environment

Temperature: 16 to 32°C (60 to 90°F), Humidity: 8 to 80% Relative Humidity, Altitude: 0 - 3048 Meters (10,000 Feet)



Paper Handling Standard
 Paper Handling Optional

Part #	Model
0020G0401	Lexmark T640dn
Part #	Laser Toner/Print Cartridge
0064016HE	T640, T642, T644 High Yield Return Program Print Cartridge
0064016SE	T640, T642, T644 Return Program Print Cartridge
0064004HE	T640, T642, T644 High Yield Return Program Print Cartridge for Label
0064036HE	T640, T642, T644 High Yield Print Cartridge
0064036SE	T640, T642, T644 Print Cartridge
0011K3188	Staple Cartridge (3x3K)
Part #	Paper & Transparencies
0012A5010	Lexmark Laser Printers - A4 Transparency
Part #	Paper Handling
0020G0893	T64x 2000-Sheet High Capacity Feeder
0020G0879	T64x 250-Sheet Tray
0020G1224	T64x 200-Sheet Universally Adjustable Tray
0020G0889	T64x 250-Sheet Drawer
0020G1223	T64x 200-Sheet Universally Adjustable Drawer
0020G1218	T64x 400-Sheet Universally Adjustable Drawer
0020G0895	T64x 5-Bin Mailbox
0020G0890	T64x 500-Sheet Drawer
0020G0891	T64x Envelope Feeder
0020G0896	T64x High-Capacity Output Stacker
0020G0894	T64x Output Expander
0020G0897	T64x StapleSmart Finisher
0011K4648	Horizontal Kiosk Presenter
0011K4647	Vertical Kiosk Presenter
0020G1360	Adjustable Output Label Support
Part #	Furniture
0016C0379	T Low Profile Printer Stand
0016C0389	T Printer Stand
0016C0369	T Printer Stand with Cabinet
0022G0544	Printer Base
0022G0551	MFP, Printer Cabinet
Part #	MFP Options
0021J0110	Lexmark 4600 MFP Option
Part #	Flash, SDRAM Memory
0013N1523	128MB DDR-DRAM
0013N1524	256MB DDR-DRAM
0013N1526	512MB DDR-DRAM
001021208	32MB Flash Card
001021209	64MB Flash Card
001021243	Japanese Font Card
001021240	Korean Font Card
001021241	Simplified Chinese Font Card

001021242	Traditional Chinese Font Card
Part #	Hard disk
0013N1541	40+GB Hard Disk with Adapter
Part #	Application Cards / SIMMS
0020G0740	Lexmark Print/Cryption Card for the Lexmark T64x
0020G0737	T64x Bar Code Card
0020G0738	T64x Card for IPDS and SCS/TNe
0020G0739	T64x Card for PRESCRIBE Emulation
0020G0742	T64x Forms Card
0020G0R201	T64x RFID UHF Option
Part #	Connectivity
001021294	USB (2 Meter) Cable
001021231	Parallel (10') Cable
001021091	Parallel 1284-B Interface Card
001021092	RS-232C Serial Interface Card
0014S0240	Coax/Twinax Adapter for SCS
0014T0155	Lexmark N4050e 802.11g Wireless Print Server
0014S0210	MarkNet N8050 802.11g Wireless Print Server
0014S0200	MarkNet N8020 GigaBit Ethernet Print Server
0014S0220	MarkNet N8030 Fiber Ethernet 100BaseFX, 10BaseFL
0014T0220	MarkNet™ N7020e Gigabit Ethernet Print Server
Part #	Extended Warranties
002347459	2 Year OnSite Repair Guarantee (1+1)
002347460	3 Year OnSite Repair Guarantee (1+2)
002347461	4 Year OnSite Repair Guarantee (1+3)
002348064	1 Year OnSite Repair Guarantee Renewal
Part #	User Replaceable Parts
0040X0127	T64x, X644e, X646e Dual Charge Roll Assembly
0040X0130	T64x, X644e, X646e Transfer Roll Assembly
0040X2665	T64x, X644e, X646e Oil Fuser Wiper
0040X2666	T64x, X644e, X646e Wax Fuser Wiper
Part #	Service Parts
0040X0100	X644e, X646e Fuser Maintenance Kit LV
0040X0101	X644e, X646e Fuser Maintenance Kit HV



Lexmark T640dtn

High-performance printing for budget-sensitive workgroups

Print Technology

Monochrome Laser

Print Speed (A4, Black)

Up to 33 ppm

Print Speed (Letter, Black)

Up to 35 ppm

Print Speed (A4, Black) Duplex

Up to 29 spm

Print Speed (Letter, Black) Duplex

Up to 30 spm

Time to First Page (Black)

As fast as 6 seconds

Print Resolution, Black

1200 Image Quality

1200 x 1200 dpi

2400 Image Quality

600 x 600 dpi

Processor

400 MHz

Memory, Standard

64 MB

Memory, Maximum

576 MB

Expandable Memory Options

Yes

Apple Macintosh Operating Systems Supported

Mac OS X, Mac OS 9.x

Citrix MetaFrame

Citrix, MetaFrame and MetaFrame XP are registered trademarks or trademarks of Citrix Systems, Inc. in the U.S. and other countries., Microsoft Windows 2000 Server running Terminal Services with Citrix MetaFrame XP Presentation Server or Citrix MetaFrame Presentation Server 3.0., Microsoft Windows Server 2003 running Terminal Services with Citrix MetaFrame XP Presentation Server or Citrix MetaFrame Presentation Server 3.0., Microsoft Windows 2000 Server running Terminal Services with Citrix Presentation Server 4.0, Microsoft Windows Server 2003 running Terminal Services with Citrix Presentation Server 4.0

Linux Operating Systems Supported

Red Hat Linux 7.3, 8.0, 9.0, Red Flag Linux Desktop 4.0, 5.0, Linux Linux Desktop 9.2, 9.3, Red Hat Enterprise Linux WS 3.0, 4.0, 5.0, SUSE Linux Enterprise Server 8.0, 9.0, 10.0, SUSE Linux Professional 9.1, 9.2, 9.3, Debian GNU/Linux 3.1, 4.0, Linspire Linux 5.0

Microsoft Windows Operating Systems Supported

2000, NT (4.0/4.00 Server), Me, XP, Server 2003, 98 2nd Edition, XP x64, Server 2003 running Terminal Services, 2000 Server running Terminal Services, Server 2003 x64, Server 2003 x64 running Terminal Services, Vista, Vista x64

Novell Operating Systems Supported

Open Enterprise Server for Netware with NDS, iPrint or Novell Distributed Print Services (NDPS), NetWare® 3.2, 4.2 (bindery), NetWare 4.2, 5.x and 6.x (NDS), NetWare 5.x, 6.x with iPrint or Novell Distributed Print Services (NDPS)

UNIX Operating Systems Supported

Sun Solaris SPARC 8, 9, 10, HP-UX 11.00, 11.1.1, IBM AIX 5.1, 5.2, 5.3

Other Operating Systems Supported

IBM iSeries or IBM AS/400® Systems with TCP/IP with OS/400® V3R1 or later using OS/400 Host Print Transform, Virtually any platform supporting TCP/IP

Paper Handling Standard

250-Sheet Duplex Unit, 250-Sheet Output Bin, 500-Sheet Drawer, 100-Sheet Multipurpose Feeder, 250-Sheet Input Tray

Paper Handling Optional

1,850-Sheet High-capacity Output Stacker, 200-Sheet Universally Adjustable Tray with Drawer, 400-Sheet Universally Adjustable Tray with Drawer, 5-Bin Mailbox, 650-Sheet Output Expander, Envelope Feeder, StapleSmart Finisher, 250-Sheet Drawer, 500-Sheet Drawer, 2,000-Sheet High-capacity Feeder

Paper Input Capacity, Standard

850 pages 20 lb or 75 gsm bond

Paper Input Capacity, Maximum

3850 pages 20 lb or 75 gsm bond

Paper Output Capacity, Standard

250 pages 20 lb or 75 gsm bond

Paper Output Capacity, Maximum

2750 pages 20 lb or 75 gsm bond

Envelope Capacity

85

Finishing Option

Yes

Number of Paper Inputs, Standard

3

Number of Paper Inputs, Maximum

6

Media Types Supported

Card Stock, Dual Web Labels, Envelopes, Integrated Labels, Paper Labels, Plain Paper, Polyester Labels, Transparencies, Vinyl Labels, Refer to the Card Stock & Label Guide

Media Sizes Supported

10 Envelope, 7 3/4 Envelope, 9 Envelope, A4, A5, DL Envelope, Executive, Folio, JIS-B5, Legal, Letter, Statement, Universal

Connectivity (standard)

Centronics IEEE 1284 Bidirectional Parallel, Fast Ethernet, One Internal Card Slot, USB Compatible with USB 2.0 Specification, USB Direct interface on Operator Panel

Connectivity (optional)

Coax/Twinax Adapter for SCS, Lexmark N4050e 802.11g Wireless Print Server (Print Only), Internal MarkNet™ N8020 Gigabit Ethernet, Internal MarkNet™ N8050 802.11g Wireless, External MarkNet™ N7020e Gigabit Ethernet, Internal MarkNet™ N8030 Fiber Fast Ethernet

Network Printing Methods

LPR/LPD, Direct IP (Port 9100), Socket (Raw TCP/IP), IPP (Internet Printing Protocol), HTTP, NDS Queue-based Printing, NDPS/NEPS (Novell Distributed Print Services, Novell Netware Enterprise Print Services), Enhanced IP (Port 9400)

Network Protocol Support

TCP/IP IPv4, IPX/SPX, AppleTalk™, LexLink (DLC),

TCP/IP IPv6

Network Security

SSL* Enabled Embedded Web Server (HTTPS), SNMPv3, TCP/IP port access control, Authenticated and encrypted MarkVision Professional communication, 802.1x Authentication: MDS, MSCHAPv2, LEAP, PEAP, TLS, TTLS, IPsec, *This product includes software developed by the OpenSSL Project for use in the OpenSSL Toolkit.

Printable Area

4.2 mm of the top, bottom, right and left edges (within)

Printable Area

0.167 inches of the top, bottom, right and left edges (within)

Printer Languages (Standard)

PCL 6 Emulation, PPDS, PostScript 3 Emulation, PDF 1.5 Emulation

Supplies Yield

6,000*-page Print Cartridge, 21,000*-page High Yield Print Cartridge, Ships with 6,000*-page Return Program Print Cartridge, *Average standard page yield value declared in accordance with ISO/IEC 19752.

Packaged Size (mm - H x W x D)

770 x 535 x 940 mm

Packaged Size (in. - H x W x D)

30.31 x 21.06 x 37.01 in.

Size (mm - H x W x D)

535 x 425 x 637 mm

Size (in. - H x W x D)

21.1 x 16.7 x 25.1 in.

Weight (kg)

25.23 kg

Weight (lb.)

54.1 lb.

Acoustics/Noise level (Idle mode)

30 dBA

Acoustics/Noise level (Operating mode)

55 dBA

Product Guarantee

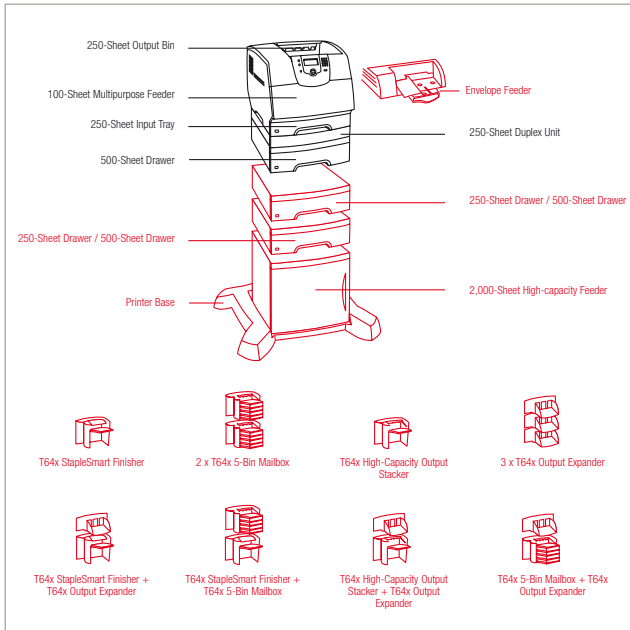
One year on site repair, next business day response time

Product Certifications

CSA, ICES Class A, BSMI Class A, VCCI Class A, FCC Class B, UL 60950 3rd Edition, IEC 320-1, CE Class A, CB IEC 60950, IEC 60825-1, GS (TUV), SEMKO, UL AR, CS, TÜV Rh, N Mark, C-tick Class A CCC Class A

Specified Operating Environment

Temperature: 16 to 32°C (60 to 90°F), Humidity: 8 to 80% Relative Humidity, Altitude: 0 - 3048 Meters (10,000 Feet)



 Paper Handling Standard
 Paper Handling Optional

Part #	Model
0020G0501	Lexmark T640dtn

Part #	Laser Toner/Print Cartridge
0064016HE	T640, T642, T644 High Yield Return Program Print Cartridge
0064016SE	T640, T642, T644 Return Program Print Cartridge
0064004HE	T640, T642, T644 High Yield Return Program Print Cartridge for Label
0064036HE	T640, T642, T644 High Yield Print Cartridge
0064036SE	T640, T642, T644 Print Cartridge
0011K3188	Staple Cartridge (3x3K)

Part #	Paper & Transparencies
0012A5010	Lexmark Laser Printers - A4 Transparency

Part #	Paper Handling
0020G0893	T64x 2000-Sheet High Capacity Feeder
0020G0879	T64x 250-Sheet Tray
0020G0884	T64x 500-Sheet Tray
0020G1224	T64x 200-Sheet Universally Adjustable Tray
0020G0889	T64x 250-Sheet Drawer
0020G1223	T64x 200-Sheet Universally Adjustable Drawer
0020G1218	T64x 400-Sheet Universally Adjustable Drawer
0020G0895	T64x 5-Bin Mailbox
0020G0890	T64x 500-Sheet Drawer
0020G0891	T64x Envelope Feeder
0020G0896	T64x High-Capacity Output Stacker
0020G0894	T64x Output Expander
0020G0897	T64x StapleSmart Finisher
0011K4648	Horizontal Kiosk Presenter
0011K4647	Vertical Kiosk Presenter
0020G1360	Adjustable Output Label Support

Part #	Furniture
0016C0379	T Low Profile Printer Stand
0016C0389	T Printer Stand
0016C0369	T Printer Stand with Cabinet
0022G0544	Printer Base
0022G0551	MFP, Printer, Cabinet

Part #	MFP Options
0021J0110	Lexmark 4600 MFP Option

Part #	Flash, SDRAM Memory
0013N1523	128MB DDR-DRAM
0013N1524	256MB DDR-DRAM
0013N1526	512MB DDR-DRAM
001021208	32MB Flash Card
001021209	64MB Flash Card
001021243	Japanese Font Card
001021240	Korean Font Card

001021241	Simplified Chinese Font Card
001021242	Traditional Chinese Font Card

Part #	Hard disk
0013N1541	40+GB Hard Disk with Adapter

Part #	Application Cards / SIMMS
0020G0740	Lexmark PrintCrypton Card for the Lexmark T64x
0020G0737	T64x Bar Code Card
0020G0738	T64x Card for IPDS and SCS/TNe
0020G0739	T64x Card for PRESCRIBE Emulation
0020G0742	T64x Forms Card
0020GR201	T64x RPD UHF Option

Part #	Connectivity
001021294	USB (2 Meter) Cable
001021231	Parallel (10') Cable
001021091	Parallel 1284-B Interface Card
001021092	RS-232C Serial Interface Card
0014S0240	Coax/Twinax Adapter for SCS
0014T0155	Lexmark N4050e 802.11g Wireless Print Server
0014S0210	MarkNet N8050 802.11g Wireless Print Server
0014S0200	MarkNet N8020 GigaBit Ethernet Print Server
0014S0220	MarkNet N8030 Fiber Ethernet 100BaseFX, 10BaseFL
0014T0220	MarkNet™ T7020e Gigabit Ethernet Print Server

Part #	Extended Warranties
002347459	2 Year OnSite Repair Guarantee (1+1)
002347460	3 Year OnSite Repair Guarantee (1+2)
002347461	4 Year OnSite Repair Guarantee (1+3)
002348064	1 Year OnSite Repair Guarantee Renewal

Part #	User Replaceable Parts
0040X0127	T64x, X644e, X646e Dual Charge Roll Assembly
0040X0130	T64x, X644e, X646e Transfer Roll Assembly
0040X2665	T64x, X644e, X646e Oil Fuser Wiper
0040X2666	T64x, X644e, X646e Wax Fuser Wiper

Part #	Service Parts
0040X0100	X644e, X646e Fuser Maintenance Kit LV
0040X0101	X644e, X646e Fuser Maintenance Kit HV



Lexmark T642

Speed and versatility to expand your possibilities!

Print Technology

Monochrome Laser

Print Speed (A4, Black)

Up to 43 ppm

Print Speed (Letter, Black)

Up to 45 ppm

Time to First Page (Black)

As fast as 8.5 seconds

Print Resolution, Black

1200 Image Quality

1200 x 1200 dpi

2400 Image Quality

600 x 600 dpi

Processor

457 MHz

Memory, Standard

64 MB

Memory, Maximum

576 MB

Expandable Memory Options

Yes

Apple Macintosh Operating Systems Supported

Mac OS X, Mac OS 9.x

Citrix MetaFrame

Microsoft Windows 2000 Server running Terminal Services with Citrix MetaFrame XP Presentation Server or Citrix MetaFrame Presentation Server 3.0., Microsoft Windows Server 2003 running Terminal Services with Citrix MetaFrame XP Presentation Server or Citrix MetaFrame Presentation Server 3.0, Microsoft Windows 2000 Server running Terminal Services with Citrix Presentation Server 4.0, Microsoft Windows Server 2003 running Terminal Services with Citrix Presentation Server 4.0

Linux Operating Systems Supported

Red Hat Linux 7.3, 8.0, 9.0, Red Flag Linux Desktop 4.0, 5.0, Linpus Linux Desktop 9.2, 9.3, Red Hat Enterprise Linux WS 3.0, 4.0, 5.0, SUSE Linux Enterprise Server 8.0, 9.0, 10.0, SUSE Linux Professional 9.1, 9.2, 9.3, Debian GNU/Linux 3.1, 4.0, Linspire Linux 5.0

Microsoft Windows Operating Systems Supported

2000, NT (4.00/4.00 Server), Me, XP, Server 2003, 98 2nd Edition, XP x64, Server 2003 running Terminal Services, 2000 Server running Terminal Services, Server 2003 x64, Server 2003 x64 running Terminal Services, Vista, Vista x64

Novell Operating Systems Supported

Open Enterprise Server for Netware with NDS, iPrint or Novell Distributed Print Services (NDPS), NetWare® 3.2, 4.2 (bindery), NetWare 4.2, 5.x and 6.x (NDS), NetWare 5.x, 6.x with iPrint or Novell Distributed Print Services (NDPS)

UNIX Operating Systems Supported

Sun Solaris SPARC 8, 9, 10, HP-UX 11.00, 11.1, IBM AIX 5.1, 5.2, 5.3

Other Operating Systems Supported

IBM iSeries or IBM AS/400® Systems with TCP/IP with OS/400® V3R1 or later using OS/400 Host Print

Transform, Virtually any platform supporting TCP/IP

Paper Handling Standard

500-Sheet Output Bin, 500-Sheet Input Tray, 100-Sheet Multipurpose Feeder

Paper Handling Optional

1,850-Sheet High-capacity Output Stacker, 200-Sheet Universally Adjustable Tray with Drawer, 400-Sheet Universally Adjustable Tray with Drawer, 5-Bin Mailbox, 650-Sheet Output Expander, Envelope Feeder, StapleSmart Finisher, 250-Sheet Drawer, 500-Sheet Drawer, 500-Sheet Duplex Unit, 2,000-Sheet High-capacity Feeder

Paper Input Capacity, Standard

600 pages 20 lb or 75 gsm bond

Paper Input Capacity, Maximum

4100 pages 20 lb or 75 gsm bond

Paper Output Capacity, Standard

500 pages 20 lb or 75 gsm bond

Paper Output Capacity, Maximum

3000 pages 20 lb or 75 gsm bond

Envelope Capacity

85

Finishing Option

Yes

Number of Paper Inputs, Standard

2

Number of Paper Inputs, Maximum

6

Media Types Supported

Card Stock, Dual Web Labels, Envelopes, Integrated Labels, Paper Labels, Plain Paper, Polyester Labels, Transparencies, Vinyl Labels, Refer to the Card Stock & Label Guide

Media Sizes Supported

10 Envelope, 7 3/4 Envelope, 9 Envelope, A4, A5, DL Envelope, Executive, Folio, JIS-B5, Legal, Letter, Statement, Universal

Connectivity (standard)

Centronics IEEE 1284 Bidirectional Parallel, Two Internal Card Slots, USB Compatible with USB 2.0 Specification, USB Direct interface on Operator Panel

Connectivity (optional)

Coax/Twinax Adapter for SCS, Lexmark N4000e Fast Ethernet (Print Only), Lexmark N4050e 802.11g Wireless Print Server (Print Only), Internal MarkNet™ N8020 Gigabit Ethernet, Internal MarkNet™ N8050 802.11g Wireless, External MarkNet™ N7020e Gigabit Ethernet, External MarkNet™ N7000e Fast Ethernet (USB), External MarkNet™ N7002e Fast Ethernet (parallel), Internal MarkNet™ N8030 Fiber Fast Ethernet, Internal MarkNet™ N8000 Fast Ethernet

Printable Area

4.2 mm of the top, bottom, right and left edges (within)

Printable Area

0.167 inches of the top, bottom, right and left edges (within)

Printer Languages (Standard)

PCL 5e Emulation, PCL 6 Emulation, PPDS, PostScript 3 Emulation, PDF 1.5 Emulation

Supplies Yield

6,000*-page Print Cartridge, 21,000*-page High Yield Print Cartridge, Ships with 6,000*-page Return Program Print Cartridge, *Average standard page yield value declared in accordance with ISO/IEC 19752.

Packaged Size (mm - H x W x D)

533 x 518 x 591 mm

Packaged Size (in. - H x W x D)

21 x 20.38 x 23.25 in.

Size (mm - H x W x D)

406 x 436 x 523 mm

Size (in. - H x W x D)

16 x 17.2 x 20.6 in.

Weight (kg)

23.1 kg

Weight (lb.)

51 lb.

Acoustics/Noise level (Idle mode)

30 dBA

Acoustics/Noise level (Operating mode)

55 dBA

Product Guarantee

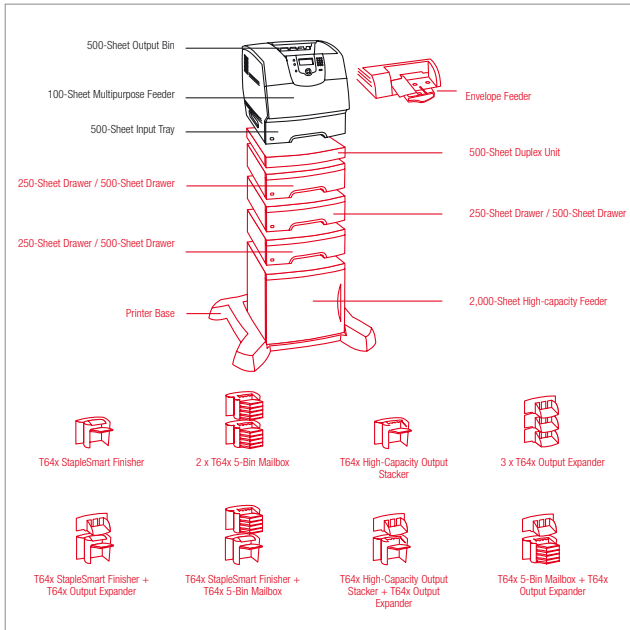
One year on site repair, next business day response time

Product Certifications

CSA, ICES Class B, BSMI Class B, VCCI Class B, FCC Class B, UL 60950 3rd Edition, IEC 320-1, CE Class B, CB IEC 60950, IEC 60825-1, GS (TÜV), SEMKO, UL AR, CS, TÜV Rh, N Mark, C-tick Class BCCC Class B

Specified Operating Environment

Temperature: 16 to 32°C (60 to 90°F), Humidity: 8 to 80% Relative Humidity, Altitude: 0 - 3048 Meters (10,000 Feet)



Paper Handling Standard
 Paper Handling Optional

Part #	Model
0020G0201	Lexmark T642
Part # Laser Toner/Print Cartridge	
0064016HE	T640, T642, T644 High Yield Return Program Print Cartridge
0064016SE	T640, T642, T644 Return Program Print Cartridge
0064004HE	T640, T642, T644 High Yield Return Program Print Cartridge for Label
0064036HE	T640, T642, T644 High Yield Print Cartridge
0064036SE	T640, T642, T644 Print Cartridge
0011K3188	Staple Cartridge (3x3K)
Part # Paper & Transparencies	
0012A5010	Lexmark Laser Printers - A4 Transparency
Part # Paper Handling	
0011K4648	Horizontal Kiosk Presenter
0020G0884	T64x 500-Sheet Tray
0020G1217	T64x 400-Sheet Universally Adjustable Tray
0011K4647	Vertical Kiosk Presenter
0020G0893	T64x 2000-Sheet High Capacity Feeder
0020G0889	T64x 250-Sheet Drawer
0020G1223	T64x 200-Sheet Universally Adjustable Drawer
0020G1218	T64x 400-Sheet Universally Adjustable Drawer
0020G0895	T64x 5-Bin Mailbox
0020G0890	T64x 500-Sheet Drawer
0020G0891	T64x Envelope Feeder
0020G0896	T64x High-Capacity Output Stacker
0020G0894	T64x Output Expander
0020G0897	T64x StapleSmart Finisher
0020G0888	T642, T644 500-Sheet Duplex Unit
0020G1360	Adjustable Output Label Support
Part # Furniture	
0016C0379	T Low Profile Printer Stand
0016C0389	T Printer Stand
0016C0369	T Printer Stand with Cabinet
0022G0544	Printer Base
0022G0551	MFP, Printer Cabinet
Part # Flash, SDRAM Memory	
0013N1523	128MB DDR-DRAM
0013N1524	256MB DDR-DRAM
0013N1526	512MB DDR-DRAM
001021208	32MB Flash Card
001021209	64MB Flash Card
001021243	Japanese Font Card
001021240	Korean Font Card
001021241	Simplified Chinese Font Card
001021242	Traditional Chinese Font Card
Part # Hard disk	
0013N1541	40+GB Hard Disk with Adapter

Part #	Application Cards / SIMMs
0020G0739	T64x Card for PRESCRIBE Emulation
0020G0742	T64x Forms Card
0020GR201	T64x RFID UHF Option
Part # Connectivity	
001021294	USB (2 Meter) Cable
001021231	Parallel (10') Cable
001021091	Parallel 1284-B Interface Card
001021092	RS-232C Serial Interface Card
0014S0240	Coax/Twinax Adapter for SCSI
0014S0230	MarkNet™ N8000 Fast Ethernet Print Server
0014S0200	MarkNet™ N8000 Gigabit Ethernet Print Server
0014S0220	MarkNet™ N8030 Fiber Ethernet 100BaseFX, 10BaseFL
0014S0210	MarkNet™ N8050 802.11g Wireless Print Server
0014T0040	Lexmark N4000e Fast Ethernet Print Server
0014T0155	Lexmark N4050e 802.11g Wireless Print Server
0014T0230	MarkNet™ N7000e Fast Ethernet Print Server - USB
0014T0240	MarkNet™ N7002e Fast Ethernet Print Server - Parallel
0014T0220	MarkNet™ N7020e Gigabit Ethernet Print Server
Part # Extended Warranties	
002347476	2 Year OnSite Repair Guarantee (1+1)
002347477	3 Year OnSite Repair Guarantee (1+2)
002347478	4 Year OnSite Repair Guarantee (1+3)
002348066	1 Year OnSite Repair Guarantee Renewal
Part # User Replaceable Parts	
0040X0127	T64x, X644e, X646e Dual Charge Roll Assembly
0040X0130	T64x, X644e, X646e Transfer Roll Assembly
0040X2665	T64x, X644e, X646e Oil Fuser Wiper
0040X2666	T64x, X644e, X646e Wax Fuser Wiper
Part # Service Parts	
0040X0100	X644e, X646e Fuser Maintenance Kit LV
0040X0101	X644e, X646e Fuser Maintenance Kit HV



Lexmark T642n

Speed and versatility to expand your possibilities!

Print Technology

Monochrome Laser

Print Speed (A4, Black)

Up to 43 ppm

Print Speed (Letter, Black)

Up to 45 ppm

Time to First Page (Black)

As fast as 8.5 seconds

Print Resolution, Black

1200 Image Quality

1200 x 1200 dpi

2400 Image Quality

600 x 600 dpi

Processor

457 MHz

Memory, Standard

128 MB

Memory, Maximum

640 MB

Expandable Memory Options

Yes

Apple Macintosh Operating Systems Supported

Mac OS X, Mac OS 9.x

Citrix MetaFrame

Microsoft Windows 2000 Server running Terminal Services with Citrix MetaFrame XP Presentation Server or Citrix MetaFrame Presentation Server 3.0., Microsoft Windows Server 2003 running Terminal Services with Citrix MetaFrame XP Presentation Server or Citrix MetaFrame Presentation Server 3.0, Microsoft Windows 2000 Server running Terminal Services with Citrix Presentation Server 4.0, Microsoft Windows Server 2003 running Terminal Services with Citrix Presentation Server 4.0

Linux Operating Systems Supported

Red Hat Linux 7.3, 8.0, 9.0, Red Flag Linux Desktop 4.0, 5.0, Linpus Linux Desktop 9.2, 9.3, Red Hat Enterprise Linux WS 3.0, 4.0, 5.0, SUSE Linux Enterprise Server 8.0, 9.0, 10.0, SUSE Linux Professional 9.1, 9.2, 9.3, Debian GNU/Linux 3.1, 4.0, Linspire Linux 5.0

Microsoft Windows Operating Systems Supported

2000, NT (4.00/4.00 Server), Me, XP, Server 2003, 98 2nd Edition, XP x64, Server 2003 running Terminal Services, 2000 Server running Terminal Services, Server 2003 x64, Server 2003 x64 running Terminal Services, Vista, Vista x64

Novell Operating Systems Supported

Open Enterprise Server for Netware with NDS, iPrint or Novell Distributed Print Services (NDPS), NetWare® 3.2, 4.2 (bindery), NetWare 4.2, 5.x and 6.x (NDS), NetWare 5.x, 6.x with iPrint or Novell Distributed Print Services (NDPS)

UNIX Operating Systems Supported

Sun Solaris SPARC 8, 9, 10, HP-UX 11.00, 11.1, IBM AIX 5.1, 5.2, 5.3

Other Operating Systems Supported

IBM iSeries or IBM AS/400® Systems with TCP/IP with OS/400® V3R1 or later using OS/400 Host Print

Transform, Virtually any platform supporting TCP/IP

Paper Handling Standard

500-Sheet Output Bin, 500-Sheet Input Tray, 100-Sheet Multipurpose Feeder

Paper Handling Optional

1,850-Sheet High-capacity Output Stacker, 200-Sheet Universally Adjustable Tray with Drawer, 400-Sheet Universally Adjustable Tray with Drawer, 5-Bin Mailbox, 650-Sheet Output Expander, Envelope Feeder, StapleSmart Finisher, 250-Sheet Drawer, 500-Sheet Drawer, 500-Sheet Duplex Unit, 2,000-Sheet High-capacity Feeder

Paper Input Capacity, Standard

600 pages 20 lb or 75 gsm bond

Paper Input Capacity, Maximum

4100 pages 20 lb or 75 gsm bond

Paper Output Capacity, Standard

500 pages 20 lb or 75 gsm bond

Paper Output Capacity, Maximum

3000 pages 20 lb or 75 gsm bond

Envelope Capacity

85

Finishing Option

Yes

Number of Paper Inputs, Standard

2

Number of Paper Inputs, Maximum

6

Media Types Supported

Card Stock, Dual Web Labels, Envelopes, Integrated Labels, Paper Labels, Plain Paper, Polyester Labels, Transparencies, Vinyl Labels, Refer to the Card Stock & Label Guide

Media Sizes Supported

10 Envelope, 7 3/4 Envelope, 9 Envelope, A4, A5, DL Envelope, Executive, Folio, JIS-B5, Legal, Letter, Statement, Universal

Connectivity (standard)

Centronics IEEE 1284 Bidirectional Parallel, Fast Ethernet, Two Internal Card Slots, USB Compatible with USB 2.0 Specification, USB Direct interface on Operator Panel

Connectivity (optional)

Coax/Twinax Adapter for SCS, Lexmark M4050e 802.11g Wireless Print Server (Print Only), Internal MarkNet™ N8020 Gigabit Ethernet, Internal MarkNet™ N8050 802.11g Wireless, External MarkNet™ N7020e Gigabit Ethernet, Internal MarkNet™ N8030 Fiber Fast Ethernet

Network Printing Methods

LPR/LPD, Direct IP (Port 9100), Socket (Raw TCP/IP), IPP (Internet Printing Protocol), HTTP, NDS Queue-based Printing, NDPS/NEPS (Novell Distributed Print Services, Novell Netware Enterprise Print Services), Enhanced IP (Port 9400)

Network Protocol Support

TCP/IP IPv4, IPX/SPX, AppleTalk™, LexLink (DLC), TCP/IP IPv6

Network Security

SSL* Enabled Embedded Web Server (HTTPS), SNMPv3, TCP/IP port access control, Authenticated and encrypted MarkVision Professional communication, 802.1x Authentication: MD5, MSCHAPv2, LEAP, PEAP, TTLS, TTLS, IPsec, *This product includes software developed by the OpenSSL Project for use in the OpenSSL Toolkit.

Printable Area

4.2 mm of the top, bottom, right and left edges (within)

Printable Area

0.167 inches of the top, bottom, right and left edges (within)

Printer Languages (Standard)

PCL 5e Emulation, PCL 6 Emulation, PPDS, PostScript 3 Emulation, PDF 1.5 Emulation, XHTML

Supplies Yield

6,000*-page Print Cartridge, 21,000*-page High Yield Print Cartridge, Ships with 6,000*-page Return Program Print Cartridge, *Average standard page yield value declared in accordance with ISO/IEC 19752.

Packaged Size (mm - H x W x D)

533 x 518 x 591 mm

Packaged Size (in. - H x W x D)

21 x 20.38 x 23.25 in.

Size (mm - H x W x D)

406 x 436 x 523 mm

Size (in. - H x W x D)

16 x 17.2 x 20.6 in.

Weight (kg)

23.1 kg

Weight (lb.)

51 lb.

Acoustics/Noise level (Idle mode)

30 dBA

Acoustics/Noise level (Operating mode)

55 dBA

Product Guarantee

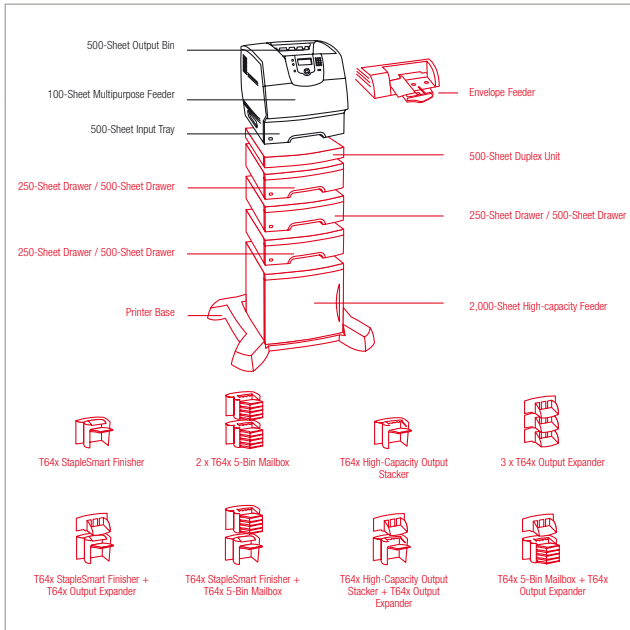
One year on site repair, next business day response time

Print Certifications

CSA, ICES Class A, BSMI Class A, VCCI Class A, FCC Class B, UL 60950 3rd Edition, IEC 320-1, CE Class A, CB IEC 60950, IEC 60825-1, GS (TUV), SEMKO, UL AR, CS, TÜV Rh, N Mark, C-tick Class ACCO Class A

Specified Operating Environment

Temperature: 16 to 32°C (60 to 90°F), Humidity: 8 to 80% Relative Humidity, Altitude: 0 - 3048 Meters (10,000 Feet)



Paper Handling Standard
 Paper Handling Optional

Part #	Model
0020G0251	Lexmark T642n
Part #	Laser Toner/Print Cartridge
0064016HE	T640, T642, T644 High Yield Return Program Print Cartridge
0064016SE	T640, T642, T644 Return Program Print Cartridge
0064004HE	T640, T642, T644 High Yield Return Program Print Cartridge for Label
0064036HE	T640, T642, T644 High Yield Print Cartridge
0064036SE	T640, T642, T644 Print Cartridge
0011K3188	Staple Cartridge (3x3K)
Part #	Paper & Transparencies
0012A5010	Lexmark Laser Printers - A4 Transparency
Part #	Paper Handling
0011K4648	Horizontal Kiosk Presenter
0020G0884	T64x 500-Sheet Tray
0020G1217	T64x 400-Sheet Universally Adjustable Tray
0011K4647	Vertical Kiosk Presenter
0020G0893	T64x 2000-Sheet High Capacity Feeder
0020G0889	T64x 250-Sheet Drawer
0020G1223	T64x 200-Sheet Universally Adjustable Drawer
0020G1218	T64x 400-Sheet Universally Adjustable Drawer
0020G0895	T64x 5-Bin Mailbox
0020G0890	T64x 500-Sheet Drawer
0020G0891	T64x Envelope Feeder
0020G0896	T64x High-Capacity Output Stacker
0020G0894	T64x Output Expander
0020G0897	T64x StapleSmart Finisher
0020G0888	T642, T644 500-Sheet Duplex Unit
0020G1360	Adjustable Output Label Support
Part #	Furniture
0016C0379	T Low Profile Printer Stand
0016C0389	T Printer Stand
0016C0369	T Printer Stand with Cabinet
0022G0544	Printer Base
0022G0551	MFP, Printer Cabinet
0021J0050	T642, T644 Scanner Shelf for 4600 MFP Option
0016C0700	Scanner Stand with Cabinet
Part #	MFP Options
0021J0110	Lexmark 4600 MFP Option
Part #	Flash, SDRAM Memory
0013N1523	128MB DDR-DRAM
0013N1524	256MB DDR-DRAM
0013N1526	512MB DDR-DRAM
001021208	32MB Flash Card
001021209	64MB Flash Card

001021243	Japanese Font Card
001021240	Korean Font Card
001021241	Simplified Chinese Font Card
001021242	Traditional Chinese Font Card

Part #	Hard disk
0013N1541	40+GB Hard Disk with Adapter

Part #	Application Cards / SIMMs
0020G0740	Lexmark PrintCryption Card for the Lexmark T64x
0020G0737	T64x Bar Code Card
0020G0738	T64x Card for iPDFS and SCS/TNe
0020G0739	T64x Card for PRESCRIBE Emulation
0020G0742	T64x Forms Card
0020GR201	T64x RFID UHF Option

Part #	Connectivity
001021294	USB (2 Meter) Cable
001021231	Parallel (10') Cable
001021091	Parallel 1284-B Interface Card
001021092	RS-232C Serial Interface Card
0014S0240	Coax/Twinax Adapter for SCS
0014T0155	Lexmark N4050e 802.11g Wireless Print Server
0014S0210	MarkNet N8050 802.11g Wireless Print Server
0014S0200	MarkNet N8020 GigaBit Ethernet Print Server
0014S0220	MarkNet N8030 Fiber Ethernet 100BaseFX, 10BaseFL
0014T0220	MarkNet™ N7020e GigaBit Ethernet Print Server

Part #	Extended Warranties
002347476	2 Year OnSite Repair Guarantee (1+1)
002347477	3 Year OnSite Repair Guarantee (1+2)
002347478	4 Year OnSite Repair Guarantee (1+3)
002348066	1 Year OnSite Repair Guarantee Renewal

Part #	User Replaceable Parts
0040X0127	T64x, X644e, X646e Dual Charge Roll Assembly
0040X0130	T64x, X644e, X646e Transfer Roll Assembly
0040X2665	T64x, X644e, X646e Oil Fuser Wiper
0040X2666	T64x, X644e, X646e Wax Fuser Wiper

Part #	Service Parts
0040X0100	X644e, X646e Fuser Maintenance Kit LV
0040X0101	X644e, X646e Fuser Maintenance Kit HV



Lexmark T642tn

Speed and versatility to expand your possibilities!

Print Technology

Monochrome Laser

Print Speed (A4, Black)

Up to 43 ppm

Print Speed (Letter, Black)

Up to 45 ppm

Time to First Page (Black)

As fast as 8.5 seconds

Print Resolution, Black

1200 Image Quality

1200 x 1200 dpi

2400 Image Quality

600 x 600 dpi

Processor

457 MHz

Memory, Standard

128 MB

Memory, Maximum

640 MB

Expandable Memory Options

Yes

Apple Macintosh Operating Systems Supported

Mac OS X, Mac OS 9.x

Citrix MetaFrame

Citrix, MetaFrame and MetaFrame XP are registered trademarks or trademarks of Citrix Systems, Inc. in the U.S. and other countries., Microsoft Windows 2000 Server running Terminal Services with Citrix MetaFrame XP Presentation Server or Citrix MetaFrame Presentation Server 3.0., Microsoft Windows Server 2003 running Terminal Services with Citrix MetaFrame XP Presentation Server or Citrix MetaFrame Presentation Server 3.0., Microsoft Windows 2000 Server running Terminal Services with Citrix Presentation Server 4.0, Microsoft Windows Server 2003 running Terminal Services with Citrix Presentation Server 4.0

Linux Operating Systems Supported

Red Hat Linux 7.3, 8.0, 9.0, Red Flag Linux Desktop 4.0, 5.0, Linpus Linux Desktop 9.2, 9.3, Red Hat Enterprise Linux WS 3.0, 4.0, 5.0, SUSE Linux Enterprise Server 8.0, 9.0, 10.0, SUSE Linux Professional 9.1, 9.2, 9.3, Debian GNU/Linux 3.1, 4.0, Linspire Linux 5.0

Microsoft Windows Operating Systems Supported

2000, NT (4.00/4.00 Server), Me, XP, Server 2003, 98 2nd Edition, XP x64, Server 2003 running Terminal Services, 2000 Server running Terminal Services, Server 2003 x64, Server 2003 x64 running Terminal Services, Vista, Vista x64

Novell Operating Systems Supported

Open Enterprise Server for Netware with NDS, iPrint or Novell Distributed Print Services (NDPS), NetWare® 3.2, 4.2 (bindery), NetWare 4.2, 5.x and 6.x (NDS), NetWare 5.x, 6.x with iPrint or Novell Distributed Print Services (NDPS)

UNIX Operating Systems Supported

Sun Solaris SPARC 8, 9, 10, HP-UX 11.00, 11.1, IBM AIX 5.1, 5.2, 5.3

Other Operating Systems Supported

IBM iSeries or IBM AS/400® Systems with TCP/IP with OS/400® V3R1 or later using OS/400 Host Print Transform, Virtually any platform supporting TCP/IP

Paper Handling Standard

500-Sheet Drawer, 500-Sheet Output Bin, 500-Sheet Input Tray, 100-Sheet Multipurpose Feeder

Paper Handling Optional

1,850-Sheet High-capacity Output Stack, 200-Sheet Universally Adjustable Tray with Drawer, 400-Sheet Universally Adjustable Tray with Drawer, 5-Bin Mailbox, 650-Sheet Output Expander, Envelope Feeder, StapleSmart Finisher, 250-Sheet Drawer, 500-Sheet Drawer, 500-Sheet Duplex Unit, 2,000-Sheet High-capacity Feeder

Paper Input Capacity, Standard

1100 pages 20 lb or 75 gsm bond

Paper Input Capacity, Maximum

4100 pages 20 lb or 75 gsm bond

Paper Output Capacity, Standard

500 pages 20 lb or 75 gsm bond

Paper Output Capacity, Maximum

3000 pages 20 lb or 75 gsm bond

Envelope Capacity

85

Finishing Option

Yes

Number of Paper Inputs, Standard

3

Number of Paper Inputs, Maximum

6

Media Types Supported

Card Stock, Dual Web Labels, Envelopes, Integrated Labels, Paper Labels, Plain Paper, Polyester Labels, Transparencies, Vinyl Labels, Refer to the Card Stock & Label Guide

Media Sizes Supported

10 Envelope, 7 3/4 Envelope, 9 Envelope, A4, A5, DL Envelope, Executive, Folio, JIS-B5, Legal, Letter, Statement, Universal

Connectivity (standard)

Centronics IEEE 1284 Bidirectional Parallel, Fast Ethernet, Two Internal Card Slots, USB Compatible with USB 2.0 Specification, USB Direct interface on Operator Panel

Connectivity (optional)

Coax/Twinax Adapter for SCS, Lexmark N4050e 802.11g Wireless Print Server (Print Only), Internal MarkNet™ N8020 Gigabit Ethernet, Internal MarkNet™ N8050 802.11g Wireless, External MarkNet™ N7020e Gigabit Ethernet, Internal MarkNet™ N8030 Fiber Fast Ethernet

Network Printing Methods

LPR/LPD, Direct IP (Port 9100), Socket (Raw TCP/IP), IPP (Internet Printing Protocol), HTTP, NDS Queue-based Printing, NDPS/NEPS (Novell Distributed Print Services),

Novell Netware Enterprise Print Services), Enhanced IP (Port 9400)

Network Protocol Support

TCP/IP IPv4, IPX/SPX, AppleTalk™, LexLink (DLC), TCP/IP IPv6

Network Security

SSL* Enabled Embedded Web Server (HTTPS), SNMPv3, TCP/IP port access control, Authenticated and encrypted MarkVision Professional communication, 802.1x Authentication: MD5, MSCHAPv2, LEAP, PEAP, TLS, TTLS, IPSec, *This product includes software developed by the OpenSSL Project for use in the OpenSSL Toolkit.

Printable Area

4.2 mm of the top, bottom, right and left edges (within)

Printable Area

0.167 inches of the top, bottom, right and left edges (within)

Printer Languages (Standard)

PCL 5e Emulation, PCL 6 Emulation, PPDS, PostScript 3 Emulation, PDF 1.5 Emulation, xHTML

Supplies Yield

6,000*-page Print Cartridge, 21,000*-page High Yield Print Cartridge, Ships with 6,000*-page Return Program Print Cartridge, *Average standard page yield value declared in accordance with ISO/IEC 19752.

Packaged Size (mm - H x W x D)

770 x 530 x 595 mm

Packaged Size (in. - H x W x D)

30.31 x 20.87 x 23.43 in.

Size (mm - H x W x D)

535 x 436 x 523 mm

Size (in. - H x W x D)

21 x 17.2 x 20.6 in.

Weight (kg)

26 kg

Weight (lb.)

57.6 lb.

Acoustics/Noise level (Idle mode)

30 dBA

Acoustics/Noise level (Operating mode)

55 dBA

Product Guarantee

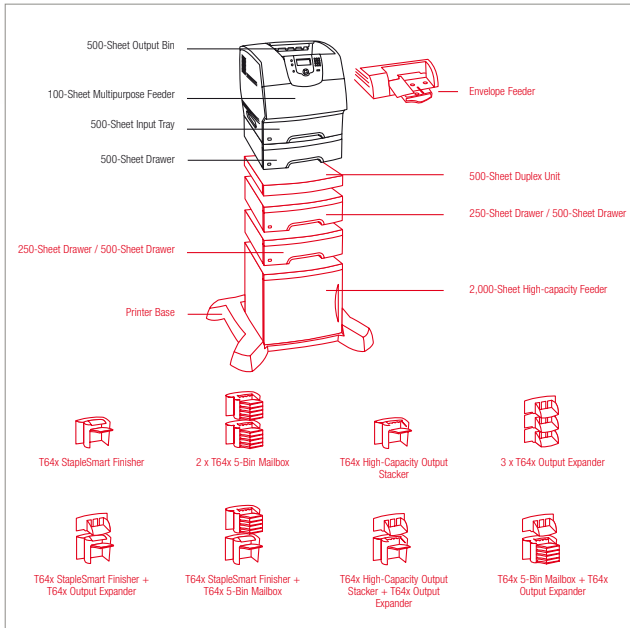
One year on site repair, next business day response time

Product Certifications

CSA, ICES Class A, BSMI Class A, VCCI Class A, FCC Class B, UL 60950 3rd Edition, IEC 320-1, CE Class A, CB IEC 60950, IEC 60825-1, GS (TUV), SEMKO, UL AR, CS, TÜV Rh, N Mark, C-tick Class A/CC Class A

Specified Operating Environment

Temperature: 16 to 32°C (60 to 90°F), Humidity: 8 to 80% Relative Humidity, Altitude: 0 - 3048 Meters (10,000 Feet)



Paper Handling Standard
 Paper Handling Optional

Part #	Model
0020G0431	Lexmark T642tn

Part #	Laser Toner/Print Cartridge
0064016HE	T640, T642, T644 High Yield Return Program Print Cartridge
0064016SE	T640, T642, T644 Return Program Print Cartridge
0064004HE	T640, T642, T644 High Yield Return Program Print Cartridge for Label
0064036HE	T640, T642, T644 High Yield Print Cartridge
0064036SE	T640, T642, T644 Print Cartridge
0011K3188	Staple Cartridge (3x3K)

Part #	Paper & Transparencies
0012A5010	Lexmark Laser Printers - A4 Transparency

Part #	Paper Handling
0020G0893	T64x 2000-Sheet High Capacity Feeder
0020G0884	T64x 500-Sheet Tray
0020G1217	T64x 400-Sheet Universally Adjustable Tray
0020G0889	T64x 250-Sheet Drawer
0020G1223	T64x 200-Sheet Universally Adjustable Drawer
0020G1218	T64x 400-Sheet Universally Adjustable Drawer
0020G0895	T64x 5-Bin Mailbox
0020G0890	T64x 500-Sheet Drawer
0020G0891	T64x Envelope Feeder
0020G0896	T64x High-Capacity Output Stacker
0020G0894	T64x Output Expander
0020G0897	T64x StapleSmart Finisher
0020G0888	T642, T644 500-Sheet Duplex Unit
0011K4648	Horizontal Kiosk Presenter
0011K4647	Vertical Kiosk Presenter
0020G1360	Adjustable Output Label Support

Part #	Furniture
0016C0379	T Low Profile Printer Stand
0016C0389	T Printer Stand
0016C0369	T Printer Stand with Cabinet
0022G0544	Printer Base
0022G0551	MFP, Printer Cabinet
0021J0050	T642, T644 Scanner Shelf for 4600 MFP Option
0016C0700	Scanner Stand with Cabinet

Part #	MFP Options
0021J0110	Lexmark 4600 MFP Option

Part #	Flash, SDRAM Memory
0013N1523	128MB DDR-DRAM
0013N1524	256MB DDR-DRAM
0013N1526	512MB DDR-DRAM
001021208	32MB Flash Card
001021209	64MB Flash Card

001021243	Japanese Font Card
001021240	Korean Font Card
001021241	Simplified Chinese Font Card
001021242	Traditional Chinese Font Card

Part #	Hard disk
0013N1541	40+GB Hard Disk with Adapter

Part #	Application Cards / SIMMs
0020G0740	Lexmark PrintCryption Card for the Lexmark T64x
0020G0737	T64x Bar Code Card
0020G0738	T64x Card for IPDS and SCS/TNe
0020G0739	T64x Card for PRESCRIBE Emulation
0020G0742	T64x Forms Card
0020GR201	T64x RFID UHF Option

Part #	Connectivity
001021294	USB (2 Meter) Cable
001021231	Parallel (10') Cable
001021091	Parallel 1284-B Interface Card
001021092	RS-232C Serial Interface Card
0014S0240	Coax/Twinax Adapter for SCS
0014T0155	MarkNet N4050e 802.11g Wireless Print Server
0014S0210	MarkNet N8050 802.11g Wireless Print Server
0014S0200	MarkNet N8020 GigaBit Ethernet Print Server
0014S0220	MarkNet N8030 Fiber Ethernet 100BaseFX, 10BaseFL
0014T0220	MarkNet™ N7200e Gigabit Ethernet Print Server

Part #	Extended Warranties
002347476	2 Year OnSite Repair Guarantee (1+1)
002347477	3 Year OnSite Repair Guarantee (1+2)
002347478	4 Year OnSite Repair Guarantee (1+3)
002348066	1 Year OnSite Repair Guarantee Renewal

Part #	User Replaceable Parts
0040X0127	T64x, X644e, X646e Dual Charge Roll Assembly
0040X0130	T64x, X644e, X646e Transfer Roll Assembly
0040X2665	T64x, X644e, X646e Oil Fuser Wiper
0040X2666	T64x, X644e, X646e Wax Fuser Wiper

Part #	Service Parts
0040X0100	X644e, X646e Fuser Maintenance Kit LV
0040X0101	X644e, X646e Fuser Maintenance Kit HV



Lexmark T642dtn

Speed and versatility to expand your possibilities!

Print Technology

Monochrome Laser

Print Speed (A4, Black)

Up to 43 ppm

Print Speed (Letter, Black)

Up to 45 ppm

Print Speed (A4, Black) Duplex

Up to 34 spm

Print Speed (Letter, Black) Duplex

Up to 35 spm

Time to First Page (Black)

As fast as 8.5 seconds

Print Resolution, Black

1200 Image Quality

1200 x 1200 dpi

2400 Image Quality

600 x 600 dpi

Processor

457 MHz

Memory, Standard

128 MB

Memory, Maximum

640 MB

Expandable Memory Options

Yes

Apple Macintosh Operating Systems Supported

Mac OS X, Mac OS 9.x

Citrix MetaFrame

Microsoft Windows 2000 Server running Terminal Services with Citrix MetaFrame XP Presentation Server or Citrix MetaFrame Presentation Server 3.0., Microsoft Windows Server 2003 running Terminal Services with Citrix MetaFrame XP Presentation Server or Citrix MetaFrame Presentation Server 3.0., Microsoft Windows 2000 Server running Terminal Services with Citrix Presentation Server 4.0, Microsoft Windows Server 2003 running Terminal Services with Citrix Presentation Server 4.0

Linux Operating Systems Supported

Red Hat Linux 7.3, 8.0, 9.0, Red Flag Linux Desktop 4.0, 5.0, Linpus Linux Desktop 9.2, 9.3, Red Hat Enterprise Linux WS 3.0, 4.0, 5.0, SUSE Linux Enterprise Server 8.0, 9.0, 10.0, SUSE Linux Professional 9.1, 9.2, 9.3, Debian GNU/Linux 3.1, 4.0, Linspire Linux 5.0

Microsoft Windows Operating Systems Supported

2000, NT (4.00/4.00 Server), Me, XP, Server 2003, 98 2nd Edition, XP x64, Server 2003 running Terminal Services, 2000 Server running Terminal Services, Server 2003 x64, Server 2003 x64 running Terminal Services, Vista, Vista x64

Novell Operating Systems Supported

Open Enterprise Server for Netware with NDS, iPrint or Novell Distributed Print Services (NDPS), NetWare® 3.2, 4.2 (bindery), NetWare 4.2, 5.x, and 6.x (NDS), NetWare 5.x, 6.x with iPrint or Novell Distributed Print Services (NDPS)

UNIX Operating Systems Supported

Sun Solaris SPARC 8, 9, 10, HP-UX 11.00, 11.1, IBM

AIX 5.1, 5.2, 5.3

Other Operating Systems Supported

IBM iSeries or IBM AS/400® Systems with TCP/IP with OS/400® V3R1 or later using OS/400 Host Print Transform, Virtually any platform supporting TCP/IP

Paper Handling Standard

500-Sheet Drawer, 500-Sheet Duplex Unit, 500-Sheet Output Bin, 500-Sheet Input Tray, 100-Sheet Multipurpose Feeder

Paper Handling Optional

1,850-Sheet High-capacity Output Stacker, 200-Sheet Universally Adjustable Tray with Drawer, 400-Sheet Universally Adjustable Tray with Drawer, 5-Bin Mailbox, 650-Sheet Output Expander, Envelope Feeder, StapleSmart Finisher, 250-Sheet Drawer, 500-Sheet Drawer, 2,000-Sheet High-capacity Feeder

Paper Input Capacity, Standard

1100 pages 20 lb or 75 gsm bond

Paper Input Capacity, Maximum

4100 pages 20 lb or 75 gsm bond

Paper Output Capacity, Standard

500 pages 20 lb or 75 gsm bond

Paper Output Capacity, Maximum

3000 pages 20 lb or 75 gsm bond

Envelope Capacity

85

Finishing Option

Yes

Number of Paper Inputs, Standard

3

Number of Paper Inputs, Maximum

6

Media Types Supported

Card Stock, Dual Web Labels, Envelopes, Integrated Labels, Paper Labels, Plain Paper, Polyester Labels, Transparencies, Vinyl Labels, Refer to the Card Stock & Label Guide

Media Sizes Supported

10 Envelope, 7 3/4 Envelope, 9 Envelope, A4, A5, DL Envelope, Executive, Folio, JIS-B5, Legal, Letter, Statement, Universal

Connectivity (standard)

Centronics IEEE 1284 Bidirectional Parallel, Fast Ethernet, Two Internal Card Slots, USB Compatible with USB 2.0 Specification, USB Direct interface on Operator Panel

Connectivity (optional)

Coax/Twinax Adapter for SCS, Lexmark N4050e 802.11g Wireless Print Server (Print Only), Internal MarkNet™ N8020 Gigabit Ethernet, Internal MarkNet™ N8050 802.11g Wireless, External MarkNet™ N7020e Gigabit Ethernet, Internal MarkNet™ N8030 Fiber Fast Ethernet

Network Printing Methods

LPR/LPD, Direct IP (Port 9100), Socket (Raw TCP/IP), IPP (Internet Printing Protocol), HTTP, NDS Queue-based

Printing, NDPS/NEPS (Novell Distributed Print Services, Novell Netware Enterprise Print Services), Enhanced IP (Port 9400)

Network Protocol Support

TCP/IP IPv4, IPX/SPX, AppleTalk™, LexLink (DLC), TCP/IP IPv6

Network Security

SSL* Enabled Embedded Web Server (HTTPS), SNMPv3, TCP/IP port access control, Authenticated and encrypted MarkVision Professional communication, 802.1x Authentication: MD5, MSCHAPv2, LEAP, PEAP, TLS, TTLS, IPsec, *This product includes software developed by the OpenSSL Project for use in the OpenSSL Toolkit.

Printable Area

4.2 mm of the top, bottom, right and left edges (within)

Printable Area

0.167 inches of the top, bottom, right and left edges (within)

Printer Languages (Standard)

PCL 5e Emulation, PCL 6 Emulation, PPDS, PostScript 3 Emulation, PDF 1.5 Emulation, xHTML

Supplies Yield

6,000*-page Print Cartridge, 21,000*-page High Yield Print Cartridge, Ships with 6,000*-page Return Program Print Cartridge, *Average standard page yield value declared in accordance with ISO/IEC 19752.

Packaged Size (mm - H x W x D)

770 x 535 x 940 mm

Packaged Size (in. - H x W x D)

30.31 x 21.06 x 37.01 in.

Size (mm - H x W x D)

588 x 436 x 655 mm

Size (in. - H x W x D)

23.1 x 17.2 x 25.8 in.

Weight (kg)

31.25 kg

Weight (lb.)

68.9 lb.

Acoustics/Noise level (Idle mode)

30 dBA

Acoustics/Noise level (Operating mode)

58 dBA

Product Guarantee

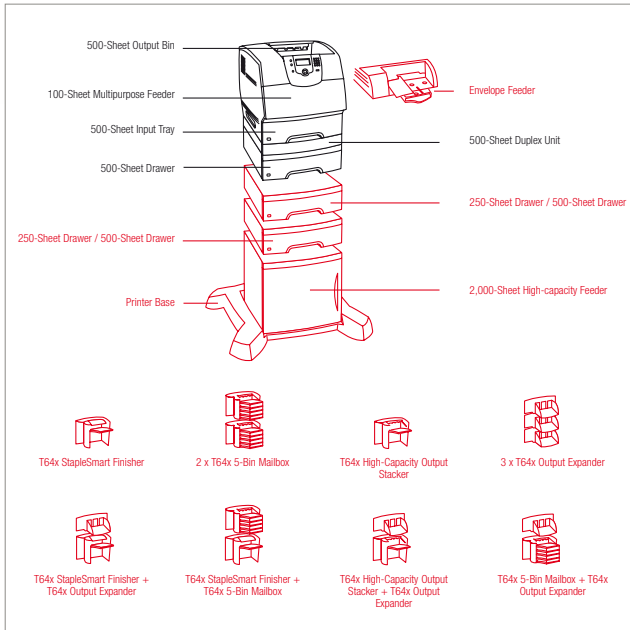
One year on site repair, next business day response time

Product Certifications

Energy Star, CSA, ICES Class A, BSMI Class A, VCCI Class A, FCC Class B, UL 60950 3rd Edition, IEC 320-1, CE Class A, CB IEC 60950, IEC 60825-1, GS (TÜV), SEMKO, UL AR, CS, TÜV Rh, N Mark, C-tick Class ACCC Class A

Specified Operating Environment

Temperature: 16 to 32°C (60 to 90°F), Humidity: 8 to 80% Relative Humidity, Altitude: 0 - 3048 Meters (10,000 Feet)



Paper Handling Standard
 Paper Handling Optional

Part #	Model
0020G0531	Lexmark T642dtn

Part #	Laser Toner/Print Cartridge
0064016HE	T640, T642, T644 High Yield Return Program Print Cartridge
0064016SE	T640, T642, T644 Return Program Print Cartridge
0064004HE	T640, T642, T644 High Yield Return Program Print Cartridge for Label
0064036HE	T640, T642, T644 High Yield Print Cartridge
0064036SE	T640, T642, T644 Print Cartridge
0011K3188	Staple Cartridge (3x3K)

Part #	Paper & Transparencies
0012A5010	Lexmark Laser Printers - A4 Transparency

Part #	Paper Handling
0020G0893	T64x 2000-Sheet High Capacity Feeder
0020G0889	T64x 250-Sheet Drawer
0020G0884	T64x 500-Sheet Tray
0020G0890	T64x 500-Sheet Drawer
0020G1217	T64x 400-Sheet Universally Adjustable Tray
0020G1223	T64x 200-Sheet Universally Adjustable Drawer
0020G1218	T64x 400-Sheet Universally Adjustable Drawer
0020G0895	T64x 5-Bin Mailbox
0020G0891	T64x Envelope Feeder
0020G0896	T64x High-Capacity Output Stacker
0020G0894	T64x Output Expander
0020G0897	T64x StapleSmart Finisher
0011K4648	Horizontal Kiosk Presenter
0011K4647	Vertical Kiosk Presenter
0020G1360	Adjustable Output Label Support

Part #	Furniture
0016C0379	T Low Profile Printer Stand
0016C0389	T Printer Stand
0016C0369	T Printer Stand with Cabinet
0022G0544	Printer Base
0022G0551	MFP, Printer Cabinet
0021J0050	T642, T644 Scanner Shelf for 4600 MFP Option
0016C0700	Scanner Stand with Cabinet

Part #	MFP Options
0021J0110	Lexmark 4600 MFP Option

Part #	Flash, SDRAM Memory
0013N1523	128MB DDR-DRAM
0013N1524	256MB DDR-DRAM
0013N1526	512MB DDR-DRAM
001021208	32MB Flash Card
001021209	64MB Flash Card
001021243	Japanese Font Card

001021240	Korean Font Card
001021241	Simplified Chinese Font Card
001021242	Traditional Chinese Font Card

Part #	Hard disk
0013N1541	40+GB Hard Disk with Adapter

Part #	Application Cards / SIMMS
0020G0740	Lexmark PrintCryption Card for the Lexmark T64x
0020G0737	T64x Bar Code Card
0020G0738	T64x Card for IPDS and SCS/TNe
0020G0739	T64x Card for PRESCRIBE Emulation
0020G0742	T64x Forms Card
0020GR201	T64x RFID UHF Option

Part #	Connectivity
001021294	USB (2 Meter) Cable
001021231	Parallel (10') Cable
001021091	Parallel 1284-B Interface Card
001021092	RS-232C Serial Interface Card
0014S0240	Coax/Twinax Adapter for SCS
0014T0155	Lexmark N4050e 802.11g Wireless Print Server
0014S0210	MarkNet N8050 802.11g Wireless Print Server
0014S0200	MarkNet N8020 GigaBit Ethernet Print Server
0014S0220	MarkNet N8030 Fiber Ethernet 100BaseFX, 10BaseFL
0014T0220	MarkNet™ N7020e Gigabit Ethernet Print Server

Part #	Extended Warranties
002347476	2 Year OnSite Repair Guarantee (1+1)
002347477	3 Year OnSite Repair Guarantee (1+2)
002347478	4 Year OnSite Repair Guarantee (1+3)
002348066	1 Year OnSite Repair Guarantee Renewal

Part #	User Replaceable Parts
0040X0127	T64x, X644e, X646e Dual Charge Roll Assembly
0040X0130	T64x, X644e, X646e Transfer Roll Assembly
0040X2665	T64x, X644e, X646e Oil Fuser Wiper
0040X2666	T64x, X644e, X646e Wax Fuser Wiper

Part #	Service Parts
0040X0100	X644e, X646e Fuser Maintenance Kit LV
0040X0101	X644e, X646e Fuser Maintenance Kit HV



Lexmark T644

Relentless performance for your heaviest workflow needs!

Print Technology

Monochrome Laser

Print Speed (A4, Black)

Up to 48 ppm

Print Speed (Letter, Black)

Up to 50 ppm

Time to First Page (Black)

As fast as 8.5 seconds

Print Resolution, Black

1200 Image Quality

1200 x 1200 dpi

2400 Image Quality

600 x 600 dpi

Processor

514 MHz

Memory, Standard

128 MB

Memory, Maximum

640 MB

Expandable Memory Options

Yes

Apple Macintosh Operating Systems Supported

Mac OS X, Mac OS 9.x

Citrix MetaFrame

Microsoft Windows 2000 Server running Terminal Services with Citrix MetaFrame XP Presentation Server or Citrix MetaFrame Presentation Server 3.0., Microsoft Windows Server 2003 running Terminal Services with Citrix MetaFrame XP Presentation Server or Citrix MetaFrame Presentation Server 3.0, Microsoft Windows 2000 Server running Terminal Services with Citrix Presentation Server 4.0, Microsoft Windows Server 2003 running Terminal Services with Citrix Presentation Server 4.0

Linux Operating Systems Supported

Red Hat Linux 7.3, 8.0, 9.0, Red Flag Linux Desktop 4.0, 5.0, Linpus Linux Desktop 9.2, 9.3, Red Hat Enterprise Linux WS 3.0, 4.0, 5.0, SUSE Linux Enterprise Server 8.0, 9.0, 10.0, SUSE Linux Professional 9.1, 9.2, 9.3, Debian GNU/Linux 3.1, 4.0, Linspire Linux 5.0

Microsoft Windows Operating Systems Supported

2000, NT (4.00/4.00 Server), Me, XP, Server 2003, 98 2nd Edition, XP x64, Server 2003 running Terminal Services, 2000 Server running Terminal Services, Server 2003 x64, Server 2003 x64 running Terminal Services, Vista, Vista x64

Novell Operating Systems Supported

Open Enterprise Server for Netware with NDS, iPrint or Novell Distributed Print Services (NDPS), NetWare® 3.2, 4.2 (bindery), NetWare 4.2, 5.x and 6.x (NDS), NetWare 5.x, 6.x with iPrint or Novell Distributed Print Services (NDPS)

UNIX Operating Systems Supported

Sun Solaris SPARC 8, 9, 10, HP-UX 11.00, 11.1, IBM AIX 5.1, 5.2, 5.3

Other Operating Systems Supported

IBM iSeries or IBM AS/400® Systems with TCP/IP with OS/400® V3R1 or later using OS/400 Host Print

Transform, Virtually any platform supporting TCP/IP

Paper Handling Standard

500-Sheet Output Bin, 500-Sheet Input Tray, 100-Sheet Multipurpose Feeder

Paper Handling Optional

1,850-Sheet High-capacity Output Stacker, 200-Sheet Universally Adjustable Tray with Drawer, 400-Sheet Universally Adjustable Tray with Drawer, 5-Bin Mailbox, 650-Sheet Output Expander, Envelope Feeder, StapleSmart Finisher, 250-Sheet Drawer, 500-Sheet Drawer, 500-Sheet Duplex Unit, 2,000-Sheet High-capacity Feeder

Paper Input Capacity, Standard

600 pages 20 lb or 75 gsm bond

Paper Input Capacity, Maximum

4100 pages 20 lb or 75 gsm bond

Paper Output Capacity, Standard

500 pages 20 lb or 75 gsm bond

Paper Output Capacity, Maximum

3000 pages 20 lb or 75 gsm bond

Envelope Capacity

85

Finishing Option

Yes

Number of Paper Inputs, Standard

2

Number of Paper Inputs, Maximum

6

Media Types Supported

Card Stock, Dual Web Labels, Envelopes, Integrated Labels, Paper Labels, Plain Paper, Polyester Labels, Transparencies, Vinyl Labels, Refer to the Card Stock & Label Guide

Media Sizes Supported

10 Envelope, 7 3/4 Envelope, 9 Envelope, A4, A5, DL Envelope, Executive, Folio, JIS-B5, Legal, Letter, Statement, Universal

Connectivity (standard)

Centronics IEEE 1284 Bidirectional Parallel, Two Internal Card Slots, USB Compatible with USB 2.0 Specification, USB Direct interface on Operator Panel

Connectivity (optional)

Coax/Twinax Adapter for SCS, Lexmark M4000e Fast Ethernet (Print Only), Lexmark M4050e 802.11g Wireless Print Server (Print Only), Internal MarkNet™ N8020 Gigabit Ethernet, Internal MarkNet™ N8050 802.11g Wireless, External MarkNet™ N7002e Gigabit Ethernet, External MarkNet™ N7000e Fast Ethernet (USB), External MarkNet™ N7002e Fast Ethernet (parallel), Internal MarkNet™ N8030 Fiber Fast Ethernet, Internal MarkNet™ N8000 Fast Ethernet

Printable Area

4.2 mm of the top, bottom, right and left edges (within)

Printable Area

0.167 inches of the top, bottom, right and left edges (within)

Printer Languages (Standard)

PCL 5e Emulation, PCL 6 Emulation, PPDS, PostScript 3 Emulation, PDF 1.5 Emulation

Supplies Yield

6,000*-page Print Cartridge, 21,000*-page High Yield Print Cartridge, 32,000*-page Extra High Yield Print Cartridge, Ships with 21,000*-page High Yield Return Program Print Cartridge, *Average standard page yield value declared in accordance with ISO/IEC 19752.

Packaged Size (mm - H x W x D)

533 x 518 x 591 mm

Packaged Size (in. - H x W x D)

21 x 20.38 x 23.25 in.

Size (mm - H x W x D)

406 x 436 x 523 mm

Size (in. - H x W x D)

16 x 17.2 x 20.6 in.

Weight (kg)

23.1 kg

Weight (lb.)

51 lb.

Acoustics/Noise level (Idle mode)

30 dBA

Acoustics/Noise level (Operating mode)

55 dBA

Product Guarantee

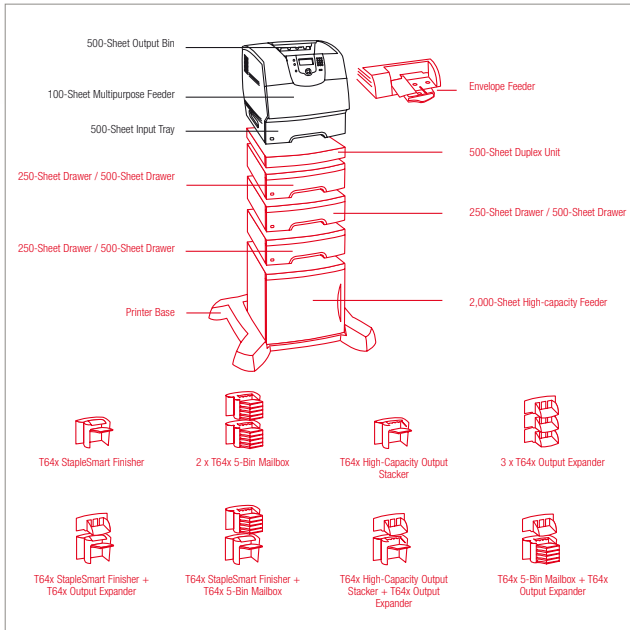
One year on site repair, next business day response time

Product Certifications

CSA, ICES Class B, BSMI Class B, VCCI Class B, FCC Class B, UL 60950 3rd Edition, IEC 320-1, CE Class B, CB IEC 60950, IEC 60825-1, GS (TUV), SEMKO, UL AR, CS, TÜV Rh, N Mark, C-tick Class BCCC Class B

Specified Operating Environment

Temperature: 16 to 32°C (60 to 90°F), Humidity: 8 to 80% Relative Humidity, Altitude: 0 - 3048 Meters (10,000 Feet)



Paper Handling Standard
 Paper Handling Optional

Part #	Model
0020G0301	Lexmark T644

Part #	Laser Toner/Print Cartridge
0064416XE	T644 Extra High Yield Return Program Print Cartridge
0064016HE	T640, T642, T644 High Yield Return Program Print Cartridge
0064016SE	T640, T642, T644 Return Program Print Cartridge
0064436XE	T644 Extra High Yield Print Cartridge
0064036HE	T640, T642, T644 High Yield Print Cartridge
0064036SE	T640, T642, T644 Print Cartridge
0064404XE	T644 Extra High Yield Return Program Print Cartridge for Label
0064004HE	T640, T642, T644 High Yield Return Program Print Cartridge for Label
0011K3188	Staple Cartridge (3x3K)

Part #	Paper & Transparencies
0012A5010	Lexmark Laser Printers - A4 Transparency

Part #	Paper Handling
0011K4648	Horizontal Kiosk Presenter
0020G0884	T64x 500-Sheet Tray
0020G1217	T64x 400-Sheet Universally Adjustable Tray
0011K4647	Vertical Kiosk Presenter
0020G0893	T64x 2000-Sheet High Capacity Feeder
0020G0889	T64x 250-Sheet Drawer
0020G1223	T64x 200-Sheet Universally Adjustable Drawer
0020G1218	T64x 400-Sheet Universally Adjustable Drawer
0020G0895	T64x 5-Bin Mailbox
0020G0890	T64x 500-Sheet Drawer
0020G0891	T64x Envelope Feeder
0020G0896	T64x High-Capacity Output Stacker
0020G0894	T64x Output Expander
0020G0897	T64x StapleSmart Finisher
0020G0888	T642, T644 500-Sheet Duplex Unit
0020G1360	Adjustable Output Label Support

Part #	Furniture
0016C0379	T Low Profile Printer Stand
0016C0389	T Printer Stand
0016C0369	T Printer Stand with Cabinet
0022G0544	Printer Base
0022G0551	MFP, Printer Cabinet

Part #	Flash, SDRAM Memory
0013N1523	128MB DDR-DRAM
0013N1524	256MB DDR-DRAM
0013N1526	512MB DDR-DRAM
001021208	32MB Flash Card
001021209	64MB Flash Card
001021243	Japanese Font Card
001021240	Korean Font Card

001021241	Simplified Chinese Font Card
001021242	Traditional Chinese Font Card

Part #	Hard disk
0013N1541	40+GB Hard Disk with Adapter

Part #	Application Cards / SIMMS
0020G0739	T64x Card for PRESCRIBE Emulation
0020G0742	T64x Forms Card
0020GR201	T64x RFID UHF Option

Part #	Connectivity
001021294	USB (2 Meter) Cable
001021231	Parallel (10') Cable
001021091	Parallel 1284-B Interface Card
001021092	RS-232C Serial Interface Card
0014S0240	Coax/Twinax Adapter for SCS
0014S0230	MarkNet™ N8000 Fast Ethernet Print Server
0014S0200	MarkNet N8020 GigaBit Ethernet Print Server
0014S0220	MarkNet N8030 Fiber Ethernet 100BaseFX, 10BaseFL
0014S0210	MarkNet N8050 802.11g Wireless Print Server
0014T0040	Lexmark N4000e Fast Ethernet Print Server
0014T0155	Lexmark N4050e 802.11g Wireless Print Server
0014T0230	MarkNet™ N7000e Fast Ethernet Print Server - USB
0014T0240	MarkNet™ N7002e Fast Ethernet Print Server - Parallel
0014T0220	MarkNet™ N7020e Gigabit Ethernet Print Server

Part #	Extended Warranties
002347493	2 Year OnSite Repair Guarantee (1+1)
002347494	3 Year OnSite Repair Guarantee (1+2)
002347495	4 Year OnSite Repair Guarantee (1+3)
002348068	1 Year OnSite Repair Guarantee Renewal

Part #	User Replaceable Parts
0040X0127	T64x, X644e, X646e Dual Charge Roll Assembly
0040X0130	T64x, X644e, X646e Transfer Roll Assembly
0040X2665	T64x, X644e, X646e Oil Fuser Wiper
0040X2666	T64x, X644e, X646e Wax Fuser Wiper

Part #	Service Parts
0040X0100	X644e, X646e Fuser Maintenance Kit LV
0040X0101	X644e, X646e Fuser Maintenance Kit HV



Lexmark T644n

Relentless performance for your heaviest workflow needs!

Print Technology

Monochrome Laser

Print Speed (A4, Black)

Up to 48 ppm

Print Speed (Letter, Black)

Up to 50 ppm

Time to First Page (Black)

As fast as 8.5 seconds

Print Resolution, Black

1200 Image Quality

1200 x 1200 dpi

2400 Image Quality

600 x 600 dpi

Processor

514 MHz

Memory, Standard

128 MB

Memory, Maximum

640 MB

Expandable Memory Options

Yes

Apple Macintosh Operating Systems Supported

Mac OS X, Mac OS 9.x

Citrix MetaFrame

Microsoft Windows 2000 Server running Terminal Services with Citrix MetaFrame XP Presentation Server or Citrix MetaFrame Presentation Server 3.0., Microsoft Windows Server 2003 running Terminal Services with Citrix MetaFrame XP Presentation Server or Citrix MetaFrame Presentation Server 3.0, Microsoft Windows 2000 Server running Terminal Services with Citrix Presentation Server 4.0, Microsoft Windows Server 2003 running Terminal Services with Citrix Presentation Server 4.0

Linux Operating Systems Supported

Red Hat Linux 7.3, 8.0, 9.0, Red Flag Linux Desktop 4.0, 5.0, Linpus Linux Desktop 9.2, 9.3, Red Hat Enterprise Linux WS 3.0, 4.0, 5.0, SUSE Linux Enterprise Server 8.0, 9.0, 10.0, SUSE Linux Professional 9.1, 9.2, 9.3, Debian GNU/Linux 3.1, 4.0, Linspire Linux 5.0

Microsoft Windows Operating Systems Supported

2000, NT (4.00/4.00 Server), Me, XP, Server 2003, 98 2nd Edition, XP x64, Server 2003 running Terminal Services, 2000 Server running Terminal Services, Server 2003 x64, Server 2003 x64 running Terminal Services, Vista, Vista x64

Novell Operating Systems Supported

Open Enterprise Server for Netware with NDS, iPrint or Novell Distributed Print Services (NDPS), NetWare® 3.2, 4.2 (bindery), NetWare 4.2, 5.x and 6.x (NDS), NetWare 5.x, 6.x with iPrint or Novell Distributed Print Services (NDPS)

UNIX Operating Systems Supported

Sun Solaris SPARC 8, 9, 10, HP-UX 11.00, 11.1, IBM AIX 5.1, 5.2, 5.3

Other Operating Systems Supported

IBM iSeries or IBM AS/400® Systems with TCP/IP with OS/400® V3R1 or later using OS/400 Host Print

Transform, Virtually any platform supporting TCP/IP

Paper Handling Standard

500-Sheet Output Bin, 500-Sheet Input Tray, 100-Sheet Multipurpose Feeder

Paper Handling Optional

1,850-Sheet High-capacity Output Stacker, 200-Sheet Universally Adjustable Tray with Drawer, 400-Sheet Universally Adjustable Tray with Drawer, 5-Bin Mailbox, 650-Sheet Output Expander, Envelope Feeder, StapleSmart Finisher, 250-Sheet Drawer, 500-Sheet Drawer, 500-Sheet Duplex Unit, 2,000-Sheet High-capacity Feeder

Paper Input Capacity, Standard

600 pages 20 lb or 75 gsm bond

Paper Input Capacity, Maximum

4100 pages 20 lb or 75 gsm bond

Paper Output Capacity, Standard

500 pages 20 lb or 75 gsm bond

Paper Output Capacity, Maximum

3000 pages 20 lb or 75 gsm bond

Envelope Capacity

85

Finishing Option

Yes

Number of Paper Inputs, Standard

2

Number of Paper Inputs, Maximum

6

Media Types Supported

Card Stock, Dual Web Labels, Envelopes, Integrated Labels, Paper Labels, Plain Paper, Polyester Labels, Transparencies, Vinyl Labels, Refer to the Card Stock & Label Guide

Media Sizes Supported

10 Envelope, 7 3/4 Envelope, 9 Envelope, A4, A5, DL Envelope, Executive, Folio, JIS-B5, Legal, Letter, Statement, Universal

Connectivity (standard)

Centronics IEEE 1284 Bidirectional Parallel, Fast Ethernet, Two Internal Card Slots, USB Compatible with USB 2.0 Specification, USB Direct interface on Operator Panel

Connectivity (optional)

Coax/Twinax Adapter for SCS, Lexmark N4050e 802.11g Wireless Print Server (Print Only), Internal MarkNet™ N8020 Gigabit Ethernet, Internal MarkNet™ N8050 802.11g Wireless, External MarkNet™ N7020e Gigabit Ethernet, Internal MarkNet™ N8030 Fiber Fast Ethernet

Network Printing Methods

LPR/LPD, Direct IP (Port 9100), Socket (Raw TCP/IP), IPP (Internet Printing Protocol), HTTP, NDS Queue-based Printing, NDPS/NEPS (Novell Distributed Print Services, Novell Netware Enterprise Print Services), Enhanced IP (Port 9400)

Network Protocol Support

TCP/IP IPv4, IPX/SPX, AppleTalk™, LexLink (DLC),

TCP/IP IPv6

Network Security

SSL* Enabled Embedded Web Server (HTTPS), SNMPv3, TCP/IP port access control, Authenticated and encrypted MarkVision Professional communication, 802.1x Authentication: MD5, MSCHAPv2, LEAP, PEAP, TLS, TTLS, IPsec, *This product includes software developed by the OpenSSL Project for use in the OpenSSL Toolkit.

Printable Area

4.2 mm of the top, bottom, right and left edges (within)

Printable Area

0.167 inches of the top, bottom, right and left edges (within)

Printer Languages (Standard)

PCL 5e Emulation, PCL 6 Emulation, PPDS, PostScript 3 Emulation, PDF 1.5 Emulation, XHTML

Supplies Yield

6,000*-page Print Cartridge, 21,000*-page High Yield Print Cartridge, 32,000*-page Extra High Yield Print Cartridge, Ships with 21,000*-page High Yield Return Program Print Cartridge, *Average standard page yield value declared in accordance with ISO/IEC 19752.

Packaged Size (mm - H x W x D)

533 x 518 x 591 mm

Packaged Size (in. - H x W x D)

21 x 20.38 x 23.25 in.

Size (mm - H x W x D)

406 x 436 x 523 mm

Size (in. - H x W x D)

16 x 17.2 x 20.6 in.

Weight (kg)

23.1 kg

Weight (lb.)

51 lb.

Acoustics/Noise level (Idle mode)

30 dBA

Acoustics/Noise level (Operating mode)

55 dBA

Product Guarantee

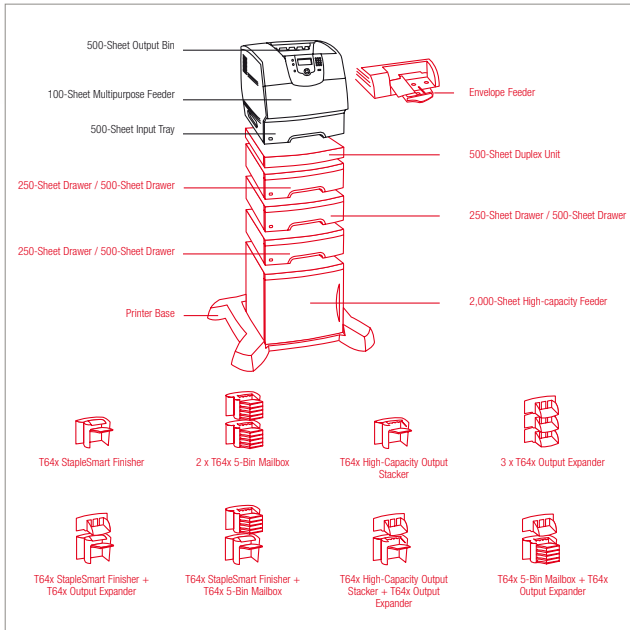
One year on site repair, next business day response time

Product Certifications

CSA, ICES Class A, BSMI Class A, VCCI Class A, FCC Class B, UL 60950 3rd Edition, IEC 320-1, CE Class A, CB IEC 60950, IEC 60825-1, GS (TUV), SEMKO, UL AR, CS, TÜV Rh, N Mark, C-tick Class ACCC Class A

Specified Operating Environment

Temperature: 16 to 32°C (60 to 90°F), Humidity: 8 to 80% Relative Humidity, Altitude: 0 - 3048 Meters (10,000 Feet)



Paper Handling Standard
 Paper Handling Optional

Part #	Model
0020G0351	Lexmark T644n
Part #	Laser Toner/Print Cartridge
0064416XE	T644 Extra High Yield Return Program Print Cartridge
0064016HE	T640, T642, T644 High Yield Return Program Print Cartridge
0064016SE	T640, T642, T644 Return Program Print Cartridge
0064436XE	T644 Extra High Yield Print Cartridge
0064036HE	T640, T642, T644 High Yield Print Cartridge
0064036SE	T640, T642, T644 Print Cartridge
0064404XE	T644 Extra High Yield Return Program Print Cartridge for Label
0064004HE	T640, T642, T644 High Yield Return Program Print Cartridge for Label
0011K3188	Staple Cartridge (3x3K)
Part #	Paper & Transparencies
0012A5010	Lexmark Laser Printers - A4 Transparency
Part #	Paper Handling
0011K4648	Horizontal Kiosk Presenter
0020G0884	T64x 500-Sheet Tray
0020G1217	T64x 400-Sheet Universally Adjustable Tray
0011K4647	Vertical Kiosk Presenter
0020G0893	T64x 2000-Sheet High Capacity Feeder
0020G0889	T64x 250-Sheet Drawer
0020G1223	T64x 200-Sheet Universally Adjustable Drawer
0020G1218	T64x 400-Sheet Universally Adjustable Drawer
0020G0895	T64x 5-Bin Mailbox
0020G0890	T64x 500-Sheet Drawer
0020G0891	T64x Envelope Feeder
0020G0896	T64x High-Capacity Output Stacker
0020G0894	T64x Output Expander
0020G0897	T64x StapleSmart Finisher
0020G0888	T642, T644 500-Sheet Duplex Unit
0020G1360	Adjustable Output Label Support
Part #	Furniture
0016C0379	T Low Profile Printer Stand
0016C0389	T Printer Stand
0016C0369	T Printer Stand with Cabinet
0022G0544	Printer Base
0022G0551	MFP, Printer Cabinet
0021J0050	T642, T644 Scanner Shelf for 4600 MFP Option
0016C0700	Scanner Stand with Cabinet
Part #	MFP Options
0021J0110	Lexmark 4600 MFP Option
Part #	Flash, SDRAM Memory
0013N1523	128MB DDR-DRAM
0013N1524	256MB DDR-DRAM

0013N1526	512MB DDR-DRAM
001021208	32MB Flash Card
001021209	64MB Flash Card
001021243	Japanese Font Card
001021240	Korean Font Card
001021241	Simplified Chinese Font Card
001021242	Traditional Chinese Font Card

Part #	Hard disk
0013N1541	40+GB Hard Disk with Adapter

Part #	Application Cards / SIMMs
0020G0740	Lexmark PrintCrypton Card for the Lexmark T64x
0020G0737	T64x Bar Code Card
0020G0738	T64x Card for IPDS and SCS/TNe
0020G0739	T64x Card for PRESCRIBE Emulation
0020G0742	T64x Forms Card
0020GR201	T64x RFID UHF Option

Part #	Connectivity
001021294	USB (2 Meter) Cable
001021231	Parallel (10') Cable
001021091	Parallel 1284-B Interface Card
001021092	RS-232C Serial Interface Card
0014S0240	Coax/Winax Adapter for SCS
0014T0155	Lexmark W4050e 802.11g Wireless Print Server
0014S0210	MarkNet N8050 802.11g Wireless Print Server
0014S0200	MarkNet N8020 Gigabit Ethernet Print Server
0014S0220	MarkNet N8030 Fiber Ethernet 100BaseFX, 10BaseFL
0014T0220	MarkNet™ N7020e Gigabit Ethernet Print Server

Part #	Extended Warranties
002347493	2 Year OnSite Repair Guarantee (1+1)
002347494	3 Year OnSite Repair Guarantee (1+2)
002347495	4 Year OnSite Repair Guarantee (1+3)
002348068	1 Year OnSite Repair Guarantee Renewal

Part #	User Replaceable Parts
0040X0127	T64x, X644e, X646e Dual Charge Roll Assembly
0040X0130	T64x, X644e, X646e Transfer Roll Assembly
0040X2665	T64x, X644e, X646e Oil Fuser Wiper
0040X2666	T64x, X644e, X646e Wax Fuser Wiper

Part #	Service Parts
0040X0100	X644e, X646e Fuser Maintenance Kit LV
0040X0101	X644e, X646e Fuser Maintenance Kit HV



Lexmark T644tn

Relentless performance for your heaviest workflow needs!

Print Technology

Monochrome Laser

Print Speed (A4, Black)

Up to 48 ppm

Print Speed (Letter, Black)

Up to 50 ppm

Time to First Page (Black)

As fast as 8.5 seconds

Print Resolution, Black

1200 Image Quality

1200 x 1200 dpi

2400 Image Quality

600 x 600 dpi

Processor

514 MHz

Memory, Standard

128 MB

Memory, Maximum

640 MB

Expandable Memory Options

Yes

Apple Macintosh Operating Systems Supported

Mac OS X, Mac OS 9.x

Citrix MetaFrame

Microsoft Windows 2000 Server running Terminal Services with Citrix MetaFrame XP Presentation Server or Citrix MetaFrame Presentation Server 3.0., Microsoft Windows Server 2003 running Terminal Services with Citrix MetaFrame XP Presentation Server or Citrix MetaFrame Presentation Server 3.0, Microsoft Windows 2000 Server running Terminal Services with Citrix Presentation Server 4.0, Microsoft Windows Server 2003 running Terminal Services with Citrix Presentation Server 4.0

Linux Operating Systems Supported

Red Hat Linux 7.3, 8.0, 9.0, Red Flag Linux Desktop 4.0, 5.0, Linpus Linux Desktop 9.2, 9.3, Red Hat Enterprise Linux WS 3.0, 4.0, 5.0, SUSE Linux Enterprise Server 8.0, 9.0, 10.0, SUSE Linux Professional 9.1, 9.2, 9.3, Debian GNU/Linux 3.1, 4.0, Linspire Linux 5.0

Microsoft Windows Operating Systems Supported

2000, NT (4.00/4.00 Server), Me, XP, Server 2003, 98 2nd Edition, XP x64, Server 2003 running Terminal Services, 2000 Server running Terminal Services, Server 2003 x64, Server 2003 x64 running Terminal Services, Vista, Vista x64

Novell Operating Systems Supported

Open Enterprise Server for Netware with NDS, iPrint or Novell Distributed Print Services (NDPS), NetWare® 3.2, 4.2 (bindery), NetWare 4.2, 5.x and 6.x (NDS), NetWare 5.x, 6.x with iPrint or Novell Distributed Print Services (NDPS)

UNIX Operating Systems Supported

Sun Solaris SPARC 8, 9, 10, HP-UX 11.00, 11.1, IBM AIX 5.1, 5.2, 5.3

Other Operating Systems Supported

IBM iSeries or IBM AS/400® Systems with TCP/IP with OS/400® V3R1 or later using OS/400 Host Print

Transform, Virtually any platform supporting TCP/IP

Paper Handling Standard

500-Sheet Drawer, 500-Sheet Output Bin, 500-Sheet Input Tray, 100-Sheet Multipurpose Feeder

Paper Handling Optional

1,850-Sheet High-capacity Output Stacker, 200-Sheet Universally Adjustable Tray with Drawer, 400-Sheet Universally Adjustable Tray with Drawer, 5-Bin Mailbox, 650-Sheet Output Expander, Envelope Feeder, StapleSmart Finisher, 250-Sheet Drawer, 500-Sheet Drawer, 500-Sheet Duplex Unit, 2,000-Sheet High-capacity Feeder

Paper Input Capacity, Standard

1100 pages 20 lb or 75 gsm bond

Paper Input Capacity, Maximum

4100 pages 20 lb or 75 gsm bond

Paper Output Capacity, Standard

500 pages 20 lb or 75 gsm bond

Paper Output Capacity, Maximum

3000 pages 20 lb or 75 gsm bond

Envelope Capacity

85

Finishing Option

Yes

Number of Paper Inputs, Standard

3

Number of Paper Inputs, Maximum

6

Media Types Supported

Card Stock, Dual Web Labels, Envelopes, Integrated Labels, Paper Labels, Plain Paper, Polyester Labels, Transparencies, Vinyl Labels, Refer to the Card Stock & Label Guide

Media Sizes Supported

10 Envelope, 7 3/4 Envelope, 9 Envelope, A4, A5, DL Envelope, Executive, Folio, JIS-B5, Legal, Letter, Statement, Universal

Connectivity (standard)

Centronics IEEE 1284 Bidirectional Parallel, Fast Ethernet, Two Internal Card Slots, USB Compatible with USB 2.0 Specification, USB Direct interface on Operator Panel

Connectivity (optional)

Coax/Twinax Adapter for SCS, Lexmark M4050e 802.11g Wireless Print Server (Print Only), Internal MarkNet™ N8020 Gigabit Ethernet, Internal MarkNet™ N8050 802.11g Wireless, External MarkNet™ N7020e Gigabit Ethernet, Internal MarkNet™ N8030 Fiber Fast Ethernet

Network Printing Methods

LPR/LPD, Direct IP (Port 9100), Socket (Raw TCP/IP), IPP (Internet Printing Protocol), HTTP, NDS Queue-based Printing, NDPS/NEPS (Novell Distributed Print Services, Novell Netware Enterprise Print Services), Enhanced IP (Port 9400)

Network Protocol Support

TCP/IP IPv4, IPX/SPX, AppleTalk™, LexLink (DLC), TCP/IP IPv6

Network Security

SSL* Enabled Embedded Web Server (HTTPS), SNMPv3, TCP/IP port access control, Authenticated and encrypted MarkVision Professional communication, 802.1x Authentication: MDS, MSCHAPv2, LEAP, PEAP, TLS, TTLS, IPsec, *This product includes software developed by the OpenSSL Project for use in the OpenSSL Toolkit.

Printable Area

4.2 mm of the top, bottom, right and left edges (within)

Printable Area

0.167 inches of the top, bottom, right and left edges (within)

Printer Languages (Standard)

PCL 5e Emulation, PCL 6 Emulation, PPDS, PostScript 3 Emulation, PDF 1.5 Emulation, XHTML

Supplies Yield

6,000*-page Print Cartridge, 21,000*-page High Yield Print Cartridge, 32,000*-page Extra High Yield Print Cartridge, Ships with 21,000*-page High Yield Return Program Print Cartridge, *Average standard page yield value declared in accordance with ISO/IEC 19752.

Packaged Size (mm - H x W x D)

770 x 530 x 595 mm

Packaged Size (in. - H x W x D)

30.31 x 20.87 x 23.43 in.

Size (mm - H x W x D)

535 x 436 x 523 mm

Size (in. - H x W x D)

21 x 17.2 x 20.6 in.

Weight (kg)

26 kg

Weight (lb.)

57.6 lb.

Acoustics/Noise level (Idle mode)

30 dBA

Acoustics/Noise level (Operating mode)

55 dBA

Product Guarantee

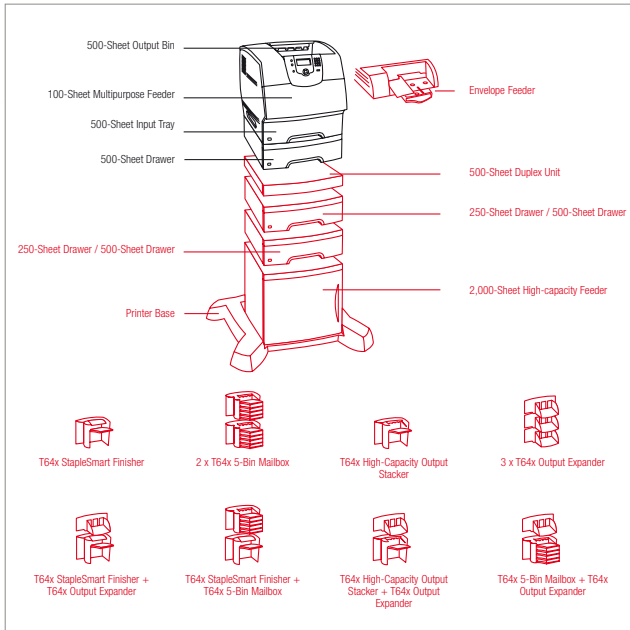
One year on site repair, next business day response time

Product Certifications

CSA, ICES Class A, BSMI Class A, VCCI Class A, FCC Class B, UL 60950 3rd Edition, IEC 320-1, CE Class A, CB IEC 60950, IEC 60825-1, GS (TUV), SEMKO, UL AR, CS, TÜV Rh, N Mark, C-tick Class ACCC Class A

Specified Operating Environment

Temperature: 16 to 32°C (60 to 90°F), Humidity: 8 to 80% Relative Humidity, Altitude: 0 - 3048 Meters (10,000 Feet)



Paper Handling Standard
 Paper Handling Optional

Part #	Model
0020G0461	Lexmark T644tn

Part #	Laser Toner/Print Cartridge
0064416XE	T644 Extra High Yield Return Program Print Cartridge
0064016HE	T640, T642, T644 High Yield Return Program Print Cartridge
0064016SE	T640, T642, T644 Return Program Print Cartridge
0064436XE	T644 Extra High Yield Print Cartridge
0064036HE	T640, T642, T644 High Yield Print Cartridge
0064036SE	T640, T642, T644 Print Cartridge
0064404XE	T644 Extra High Yield Return Program Print Cartridge for Label
0064004HE	T640, T642, T644 High Yield Return Program Print Cartridge for Label
0011K3188	Staple Cartridge (3x3K)

Part #	Paper & Transparencies
0012A5010	Lexmark Laser Printers - A4 Transparency

Part #	Paper Handling
0011K4648	Horizontal Kiosk Presenter
0020G0884	T64x 500-Sheet Tray
0020G1217	T64x 400-Sheet Universally Adjustable Tray
0011K4647	Vertical Kiosk Presenter
0020G0893	T64x 2000-Sheet High Capacity Feeder
0020G0889	T64x 250-Sheet Drawer
0020G1223	T64x 200-Sheet Universally Adjustable Drawer
0020G1218	T64x 400-Sheet Universally Adjustable Drawer
0020G0895	T64x 5-Bin Mailbox
0020G0890	T64x 500-Sheet Drawer
0020G0891	T64x Envelope Feeder
0020G0896	T64x High-Capacity Output Stacker
0020G0894	T64x Output Expander
0020G0897	T64x StapleSmart Finisher
0020G0888	T642, T644 500-Sheet Duplex Unit
0020G1360	Adjustable Output Label Support

Part #	Furniture
0016C0379	T Low Profile Printer Stand
0016C0389	T Printer Stand
0016C0369	T Printer Stand with Cabinet
0022G0544	Printer Base
0022G0551	MFP, Printer Cabinet
0021J0050	T642, T644 Scanner Shelf for 4600 MFP Option
0016C0700	Scanner Stand with Cabinet

Part #	MFP Options
0021J0110	Lexmark 4600 MFP Option

Part #	Flash, SDRAM Memory
0013N1523	128MB DDR-DRAM
0013N1524	256MB DDR-DRAM

0013N1526	512MB DDR-DRAM
001021208	32MB Flash Card
001021209	64MB Flash Card
001021243	Japanese Font Card
001021240	Korean Font Card
001021241	Simplified Chinese Font Card
001021242	Traditional Chinese Font Card

Part #	Hard disk
0013N1541	40+GB Hard Disk with Adapter

Part #	Application Cards / SIMMS
0020G0740	Lexmark PrintCrypton Card for the Lexmark T64x
0020G0737	T64x Bar Code Card
0020G0738	T64x Card for IPDS and SCS/TNe
0020G0739	T64x Card for PRESCRIBE Emulation
0020G0742	T64x Forms Card
0020GR201	T64x RFID UHF Option

Part #	Connectivity
001021294	USB (2 Meter) Cable
001021231	Parallel (10') Cable
001021091	Parallel 1284-B Interface Card
001021092	RS-232C Serial Interface Card
0014S0240	Coax/Twinax Adapter for SCS
0014T0155	Lexmark I4050e 802.11g Wireless Printer Server
0014S0210	MarkNet N8050 802.11g Wireless Print Server
0014S0200	MarkNet N8020 Gigabit Ethernet Print Server
0014S0220	MarkNet N8030 Fiber Ethernet 100BaseFX, 10BaseFL
0014T0220	MarkNet™ N7020e Gigabit Ethernet Print Server

Part #	Extended Warranties
002347493	2 Year OnSite Repair Guarantee (1+1)
002347494	3 Year OnSite Repair Guarantee (1+2)
002347495	4 Year OnSite Repair Guarantee (1+3)
002348068	1 Year OnSite Repair Guarantee Renewal

Part #	User Replaceable Parts
0040X0127	T64x, X644e, X646e Dual Charge Roll Assembly
0040X0130	T64x, X644e, X646e Transfer Roll Assembly
0040X2665	T64x, X644e, X646e Oil Fuser Wiper
0040X2666	T64x, X644e, X646e Wax Fuser Wiper

Part #	Service Parts
0040X0100	X644e, X646e Fuser Maintenance Kit LV
0040X0101	X644e, X646e Fuser Maintenance Kit HV



Lexmark T644dtn

Relentless performance for your heaviest workflow needs!

Print Technology

Monochrome Laser

Print Speed (A4, Black)

Up to 48 ppm

Print Speed (Letter, Black)

Up to 50 ppm

Print Speed (A4, Black) Duplex

Up to 36 ppm

Print Speed (Letter, Black) Duplex

Up to 37 ppm

Time to First Page (Black)

As fast as 8.5 seconds

Print Resolution, Black

1200 Image Quality

1200 x 1200 dpi

2400 Image Quality

600 x 600 dpi

Processor

514 MHz

Memory, Standard

128 MB

Memory, Maximum

640 MB

Expandable Memory Options

Yes

Apple Macintosh Operating Systems Supported

Mac OS X, Mac OS 9.x

Citrix MetaFrame

Microsoft Windows 2000 Server running Terminal Services with Citrix MetaFrame XP Presentation Server or Citrix MetaFrame Presentation Server 3.0., Microsoft Windows Server 2003 running Terminal Services with Citrix MetaFrame XP Presentation Server or Citrix MetaFrame Presentation Server 3.0., Microsoft Windows 2000 Server running Terminal Services with Citrix MetaFrame Presentation Server 3.0., Microsoft Windows 2003 running Terminal Services with Citrix Presentation Server 4.0, Microsoft Windows Server 2003 running Terminal Services with Citrix Presentation Server 4.0

Linux Operating Systems Supported

Red Hat Linux 7.3, 8.0, 9.0, Red Flag Linux Desktop 4.0, 5.0, Linpus Linux Desktop 9.2, 9.3, Red Hat Enterprise Linux WS 3.0, 4.0, 5.0, SUSE Linux Enterprise Server 8.0, 9.0, 10.0, SUSE Linux Professional 9.1, 9.2, 9.3, Debian GNU/Linux 3.1, 4.0, Linspire Linux 5.0

Microsoft Windows Operating Systems Supported

2000, NT (4.00/4.00 Server), Me, XP, Server 2003, 98 2nd Edition, XP x64, Server 2003 running Terminal Services, 2000 Server running Terminal Services, Server 2003 x64, Server 2003 x64 running Terminal Services, Vista, Vista x64

Novell Operating Systems Supported

Open Enterprise Server for Netware with NDS, iPrint or Novell Distributed Print Services (NDPS), NetWare® 3.2, 4.2 (bindery), NetWare 4.2, 5.x, and 6.x (NDS), NetWare 5.x, 6.x with iPrint or Novell Distributed Print Services (NDPS)

UNIX Operating Systems Supported

Sun Solaris SPARC 8, 9, 10, HP-UX 11.00, 11.1, IBM

AIX 5.1, 5.2, 5.3

Other Operating Systems Supported

IBM iSeries or IBM AS/400® Systems with TCP/IP with OS/400® V3R1 or later using OS/400 Host Print Transform, Virtually any platform supporting TCP/IP

Paper Handling Standard

500-Sheet Drawer, 500-Sheet Duplex Unit, 500-Sheet Output Bin, 500-Sheet Input Tray, 100-Sheet Multipurpose Feeder

Paper Handling Optional

1,850-Sheet High-capacity Output Stacker, 200-Sheet Universally Adjustable Tray with Drawer, 400-Sheet Universally Adjustable Tray with Drawer, 5-Bin Mailbox, 650-Sheet Output Expander, Envelope Feeder, StapleSmart Finisher, 250-Sheet Drawer, 500-Sheet Drawer, 2,000-Sheet High-capacity Feeder

Paper Input Capacity, Standard

1100 pages 20 lb or 75 gsm bond

Paper Input Capacity, Maximum

4100 pages 20 lb or 75 gsm bond

Paper Output Capacity, Standard

500 pages 20 lb or 75 gsm bond

Paper Output Capacity, Maximum

3000 pages 20 lb or 75 gsm bond

Envelope Capacity

85

Finishing Option

Yes

Number of Paper Inputs, Standard

3

Number of Paper Inputs, Maximum

6

Media Types Supported

Card Stock, Dual Web Labels, Envelopes, Integrated Labels, Paper Labels, Plain Paper, Polyester Labels, Transparencies, Vinyl Labels, Refer to the Card Stock & Label Guide

Media Sizes Supported

10 Envelope, 7 3/4 Envelope, 9 Envelope, A4, A5, DL Envelope, Executive, Folio, JIS-B5, Legal, Letter, Statement, Universal

Connectivity (standard)

Centronics IEEE 1284 Bidirectional Parallel, Fast Ethernet, Two Internal Card Slots, USB Compatible with USB 2.0 Specification, USB Direct interface on Operator Panel

Connectivity (optional)

Coax/Twinax Adapter for SCS, Lexmark N4050e 802.11g Wireless Print Server (Print Only), Internal MarkNet™ N8020 Gigabit Ethernet, Internal MarkNet™ N8050 802.11g Wireless, External MarkNet™ N7020e Gigabit Ethernet, Internal MarkNet™ N8030 Fiber Fast Ethernet

Network Printing Methods

LPR/LPD, Direct IP (Port 9100), Socket (Raw TCP/IP), IPP (Internet Printing Protocol), HTTP, NDS Queue-based

Printing, NDPS/NEPS (Novell Distributed Print Services, Novell Netware Enterprise Print Services, Enhanced IP (Port 9400))

Network Protocol Support

TCP/IP IPv4, IPX/SPX, AppleTalk™, LexLink (DLC), TCP/IP IPv6

Network Security

SSL* Enabled Embedded Web Server (HTTPS), SNMPv3, TCP/IP port access control, Authenticated and encrypted MarkVision Professional communication, 802.1x Authentication: MD5, MSCHAPv2, LEAP, PEAP, TLS, TTLS, IPsec, *This product includes software developed by the OpenSSL Project for use in the OpenSSL Toolkit.

Printable Area

4.2 mm of the top, bottom, right and left edges (within)

Printable Area

0.167 inches of the top, bottom, right and left edges (within)

Printer Languages (Standard)

PCL 5e Emulation, PCL 6 Emulation, PPDS, PostScript 3 Emulation, PDF 1.5 Emulation, xHTML

Supplies Yield

6,000*-page Print Cartridge, 21,000*-page High Yield Print Cartridge, 32,000*-page Extra High Yield Print Cartridge, Ships with 21,000*-page High Yield Return Program Print Cartridge, *Average standard page yield value declared in accordance with ISO/IEC 19752.

Packaged Size (mm - H x W x D)

770 x 535 x 940 mm

Packaged Size (in. - H x W x D)

30.31 x 21.06 x 37.01 in.

Size (mm - H x W x D)

588 x 436 x 655 mm

Size (in. - H x W x D)

23.1 x 17.2 x 25.8 in.

Weight (kg)

31.25 kg

Weight (lb.)

68.9 lb.

Acoustics/Noise level (Idle mode)

30 dBA

Acoustics/Noise level (Operating mode)

58 dBA

Product Guarantee

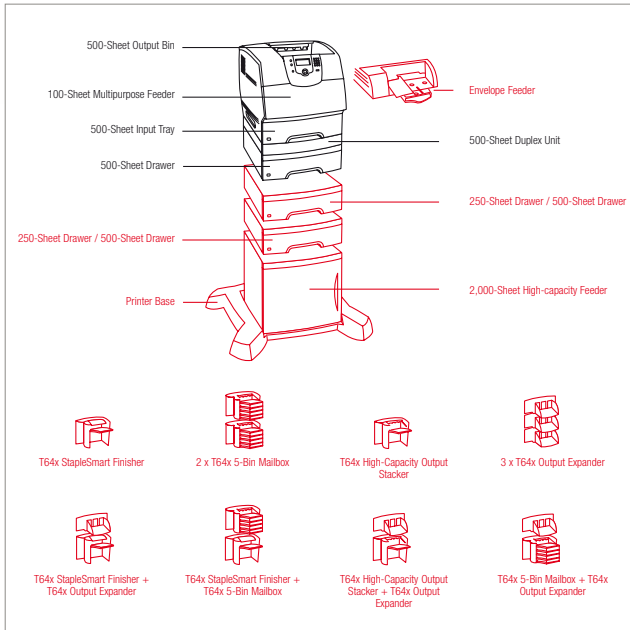
One year on site repair, next business day response time

Product Certifications

Energy Star, CSA, ICES Class A, BSMI Class A, VCCI Class A, FCC Class B, UL 60950 3rd Edition, IEC 320-1, CE Class A, CB IEC 60950, IEC 60825-1, GS (TUV), SEMKO, UL AR, CS, TÜV Rh, N Mark, C-tick Class ACCC Class A

Specified Operating Environment

Temperature: 16 to 32°C (60 to 90°F), Humidity: 8 to 80% Relative Humidity, Altitude: 0 - 3048 Meters (10,000 Feet)



Paper Handling Standard
 Paper Handling Optional

Part #	Model
0020G0561	Lexmark T644dtn

Part #	Laser Toner/Print Cartridge
0064416XE	T644 Extra High Yield Return Program Print Cartridge
0064016HE	T640, T642, T644 High Yield Return Program Print Cartridge
0064016SE	T640, T642, T644 Return Program Print Cartridge
0064436XE	T644 Extra High Yield Print Cartridge
0064036HE	T640, T642, T644 High Yield Print Cartridge
0064036SE	T640, T642, T644 Print Cartridge
0064404XE	T644 Extra High Yield Return Program Print Cartridge for Label
0064004HE	T640, T642, T644 High Yield Return Program Print Cartridge for Label
0011K3188	Staple Cartridge (3x3K)

Part #	Paper & Transparencies
0012A5010	Lexmark Laser Printers - A4 Transparency

Part #	Paper Handling
0011K4648	Horizontal Kiosk Presenter
0020G0884	T64x 500-Sheet Tray
0020G1217	T64x 400-Sheet Universally Adjustable Tray
0011K4647	Vertical Kiosk Presenter
0020G0893	T64x 2000-Sheet High Capacity Feeder
0020G0889	T64x 250-Sheet Drawer
0020G1223	T64x 200-Sheet Universally Adjustable Drawer
0020G1218	T64x 400-Sheet Universally Adjustable Drawer
0020G0895	T64x 5-Bin Mailbox
0020G0890	T64x 500-Sheet Drawer
0020G0891	T64x Envelope Feeder
0020G0896	T64x High-Capacity Output Stacker
0020G0894	T64x Output Expander
0020G0897	T64x StapleSmart Finisher
0020G1360	Adjustable Output Label Support

Part #	Furniture
0016C0379	T Low Profile Printer Stand
0016C0389	T Printer Stand
0016C0369	T Printer Stand with Cabinet
0022G0544	Printer Base
0022G0551	MFP, Printer Cabinet
0021J0050	T642, T644 Scanner Shelf for 4600 MFP Option
0016C0700	Scanner Stand with Cabinet

Part #	MFP Options
0021J0110	Lexmark 4600 MFP Option

Part #	Flash, SDRAM Memory
0013N1523	128MB DDR-DRAM
0013N1524	256MB DDR-DRAM
0013N1526	512MB DDR-DRAM

001021208	32MB Flash Card
001021209	64MB Flash Card
001021243	Japanese Font Card
001021240	Korean Font Card
001021241	Simplified Chinese Font Card
001021242	Traditional Chinese Font Card

Part #	Hard disk
0013N1541	40+GB Hard Disk with Adapter

Part #	Application Cards / SIMMs
0020G0740	Lexmark PrintCryption Card for the Lexmark T64x
0020G0737	T64x Bar Code Card
0020G0738	T64x Card for IPDS and SCS/TNe
0020G0739	T64x Card for PRESCRIBE Emulation
0020G0742	T64x Forms Card
0020GR201	T64x RFID UHF Option

Part #	Connectivity
001021294	USB (2 Meter) Cable
001021231	Parallel (10') Cable
001021091	Parallel 1284-B Interface Card
001021092	RS-232C Serial Interface Card
0014S0240	Coax/Iwinax Adapter for SCS
0014T0155	Lexmark N4050e 802.11g Wireless Print Server
0014S0210	MarkNet N8050 802.11g Wireless Print Server
0014S0200	MarkNet N8020 GigaBit Ethernet Print Server
0014S0220	MarkNet N8030 Fiber Ethernet 100BaseFX, 10BaseFL
0014T0220	MarkNet™ N7020e Gigabit Ethernet Print Server

Part #	Extended Warranties
002347493	2 Year OnSite Repair Guarantee (1+1)
002347494	3 Year OnSite Repair Guarantee (1+2)
002347495	4 Year OnSite Repair Guarantee (1+3)
002348068	1 Year OnSite Repair Guarantee Renewal

Part #	User Replaceable Parts
0040X0127	T64x, X644e, X646e Dual Charge Roll Assembly
0040X0130	T64x, X644e, X646e Transfer Roll Assembly
0040X2665	T64x, X644e, X646e Oil Fuser Wiper
0040X2666	T64x, X644e, X646e Wax Fuser Wiper

Part #	Service Parts
0040X0100	X644e, X646e Fuser Maintenance Kit LV
0040X0101	X644e, X646e Fuser Maintenance Kit HV



Lexmark W840

Lexmark W840Fast, effortless
mono printing for A3 and more

Print Technology

Monochrome Laser

Print Speed (A4, Black)

Up to 50 ppm

Print Speed (Letter, Black)

Up to 50 ppm

Time to First Page (Black)

As fast as 6.8 seconds

Print Resolution, Black

1200 x 1200 dpi

2400 Image Quality

600 x 600 dpi

Processor

625 MHz

Memory, Standard

256 MB

Memory, Maximum

768 MB

Expandable Memory Options

Yes

Apple Macintosh Operating Systems Supported

Mac OS X, Mac OS 9.x

Citrix MetaFrame

Microsoft Windows 2000 Server running Terminal Services with Citrix MetaFrame XP Presentation Server or Citrix MetaFrame Presentation Server 3.0., Microsoft Windows Server 2003 running Terminal Services with Citrix MetaFrame XP Presentation Server or Citrix MetaFrame Presentation Server 3.0, Microsoft Windows 2000 Server running Terminal Services with Citrix Presentation Server 4.0, Microsoft Windows Server 2003 running Terminal Services with Citrix Presentation Server 4.0

Linux Operating Systems Supported

Red Hat Linux 7.3, 8.0, 9.0, Red Flag Linux Desktop 4.0, 5.0, Linpus Linux Desktop 9.2, 9.3, Red Hat Enterprise Linux WS 3.0, 4.0, 5.0, SUSE Linux Enterprise Server 8.0, 9.0, 10.0, SUSE Linux Professional 9.1, 9.2, 9.3, Debian GNU/Linux 3.1, 4.0, Linspire Linux 5.0

Microsoft Windows Operating Systems Supported

2000, NT (4.00/4.00 Server), Me, XP, Server 2003, 98 2nd Edition, XP x64, Server 2003 running Terminal Services, 2000 Server running Terminal Services, Server 2003 x64, Server 2003 x64 running Terminal Services, Vista, Vista x64

Novell Operating Systems Supported

Open Enterprise Server for Netware with NDS, iPrint or Novell Distributed Print Services (NDPS), NetWare® 3.2, 4.2 (bindery), NetWare 4.2, 5.x and 6.x (NDS), NetWare 5.x, 6.x with iPrint or Novell Distributed Print Services (NDPS)

UNIX Operating Systems Supported

Sun Solaris SPARC 8, 9, 10, HP-UX 11.00, 11.1, IBM AIX 5.1, 5.2, 5.3

Other Operating Systems Supported

IBM iSeries or IBM AS/400® Systems with TCP/IP with OS/400® V3R1 or later using OS/400 Host Print Transform, Virtually any platform supporting TCP/IP

Paper Handling Standard

500-Sheet Output Bin, Two 500-Sheet Trays, 100-Sheet Multipurpose Feeder

Paper Handling Optional

Duplex Unit, 2,000-Sheet High-capacity Feeder, 2,000-Sheet Dual Input, 2 x 500-Sheet Drawer, 3,500-Sheet Finisher

Paper Input Capacity, Standard

1100 pages 20 lb or 75 gsm bond

Paper Input Capacity, Maximum

5100 pages 20 lb or 75 gsm bond

Paper Output Capacity, Standard

500 pages 20 lb or 75 gsm bond

Paper Output Capacity, Maximum

3800 pages 20 lb or 75 gsm bond

Envelope Capacity

10

Finishing Option

Yes

Number of Paper Inputs, Standard

3

Number of Paper Inputs, Maximum

6

Media Types Supported

Card Stock, Envelopes, Paper Labels, Plain Paper, Transparencies, Refer to the Card Stock & Label Guide

Media Sizes Supported

10 Envelope, 7 3/4 Envelope, A3, A4, A5, C5 Envelope, DL Envelope, Executive, Folio, JIS-B4, JIS-B5, Ledger, Legal, Letter, Statement, Universal

Connectivity (standard)

Centronics IEEE 1284 Bidirectional Parallel, One Internal Card Slot, USB Compatible with USB 2.0 Specification, USB Direct interface on Operator Panel

Connectivity (optional)

Coax/Twinax Adapter for SCS, Internal MarkNet™ N8020 Gigabit Ethernet, Internal MarkNet™ N8050 802.11g Wireless, External MarkNet™ N7020e Gigabit Ethernet, External MarkNet™ N7000e Fast Ethernet (USB), Internal MarkNet™ N8030 Fiber Fast Ethernet, Internal MarkNet™ N8000 Fast Ethernet

Printable Area

4 mm of the top, bottom, right and left edges (within)

Printable Area

0.16 inches of the top, bottom, right and left edges (within)

Printer Languages (Standard)

PCL 5e Emulation, PCL 6 Emulation, PPDS, PostScript 3 Emulation, PDF 1.5 Emulation

Supplies Yield

Average standard page yield value declared in accordance with ISO/IEC 19752., 60,000-page Photoconductor Unit, 30,000-page Toner Cartridge

Packaged Size (mm - H x W x D)

615 x 830 x 830 mm

Packaged Size (in. - H x W x D)

24.2 x 32.7 x 32.7 in.

Size (mm - H x W x D)

475 x 616 x 520 mm

Size (in. - H x W x D)

18.7 x 24.25 x 20.5 in.

Weight (kg)

45.6 kg

Weight (lb.)

100.5 lb.

Acoustics/Noise level (Idle mode)

28 dBA

Acoustics/Noise level (Operating mode)

55 dBA

Product Guarantee

One year on site repair, next business day response time

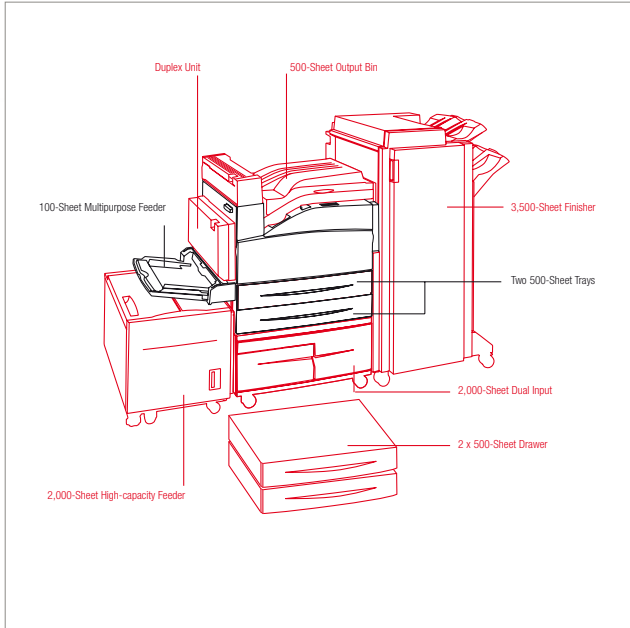
Product Certifications

CSA, IECES Class A, BSMI Class A, VCCI Class A, FCC Class A, UL 60950 3rd Edition, IEC 320-1, CE Class A, CB IEC 60950, IEC 60825-1, GS (TÜV), SEMKO, UL AR, CS, TÜV Rh, N Mark, C-tick Class ACCO Class A

Specified Operating Environment

Temperature: 16 to 32°C (60 to 90°F), Humidity: 8 to 80% Relative Humidity, Altitude: 0 - 2500 Meters (8,200 Feet), Temperature:

16 to 24°C (60 to 75°F) with Finisher attached



Paper Handling Standard
 Paper Handling Optional

Part # Model
0025A0075 Lexmark W840

Part # Laser Toner/Print Cartridge
00W84020H W840 Toner Cartridge
00W84030H W840 Photoconductor Kit
0025A0013 Staple Cartridges (3 pack)

Part # Paper & Transparencies
0012A5010 Lexmark Laser Printers - A4 Transparency

Part # Paper Handling
0025A0015 W840 Duplex Unit
0015R0120 W840 2000-Sheet Dual Input
0015R0146 W840 2 x 500-Sheet Drawer
0015R0144 X850e, X852e, X854e, W840 Finisher (2 / 3-Hole)
0015R0145 X850e, X852e, X854e, W840 High Capacity Feeder
0015R0143 X850e, X852e, X854e, W840 Finisher (2 / 4-Hole)

Part # Flash, SDRAM Memory
0013N1523 128MB DDR-DRAM
0013N1524 256MB DDR-DRAM
0013N1526 512MB DDR-DRAM
001021208 32MB Flash Card
001021209 64MB Flash Card
001021243 Japanese Font Card
001021240 Korean Font Card
001021241 Simplified Chinese Font Card
001021242 Traditional Chinese Font Card

Part # Hard disk
0013N1530 40+ GB Hard Disk

Part # Application Cards / SIMMs
0025A0033 W840 Card for PRESCRIBE Emulation

Part # Connectivity
001021294 USB (2 Meter) Cable
001021231 Parallel (10') Cable
001021091 Parallel 1284-B Interface Card
001021092 RS-232C Serial Interface Card
0014S0240 Coax/Twinax Adapter for SCS
0014S0230 MarkNet™ N8000 Fast Ethernet Print Server
0014S0200 MarkNet N8020 GigaBit Ethernet Print Server
0014S0220 MarkNet N8030 Fiber Ethernet 100BaseFX, 10BaseFL
0014S0210 MarkNet N8050 802.11g Wireless Print Server
0014T0040 Lexmark N4000e Fast Ethernet Print Server
0014T0155 Lexmark N4050e 802.11g Wireless Print Server
0014T0230 MarkNet™ N7000e Fast Ethernet Print Server - USB
0014T0240 MarkNet™ N7002e Fast Ethernet Print Server - Parallel

0014T0220 MarkNet™ N7020e Gigabit Ethernet Print Server

Part # Extended Warranties
002347512 2 Year OnSite Repair Guarantee (1+1)
002347513 3 Year OnSite Repair Guarantee (1+2)
002347514 4 Year OnSite Repair Guarantee (1+3)
002347640 1 Year OnSite Repair Guarantee Renewal

Part # User Replaceable Parts
0040X0957 W840 Fuser Maintenance Kit HV



Lexmark W840n

Extend the possibilities of A3+ mono printing

Print Technology

Monochrome Laser

Print Speed (A4, Black)

Up to 50 ppm

Print Speed (Letter, Black)

Up to 50 ppm

Time to First Page (Black)

As fast as 6.8 seconds

Print Resolution, Black

1200 x 1200 dpi

2400 Image Quality

600 x 600 dpi

Processor

625 Mhz

Memory, Standard

256 MB

Memory, Maximum

768 MB

Expandable Memory Options

Yes

Apple Macintosh Operating Systems Supported

Mac OS X, Mac OS 9.x

Citrix MetaFrame

Microsoft Windows 2000 Server running Terminal Services with Citrix MetaFrame XP Presentation Server or Citrix MetaFrame Presentation Server 3.0., Microsoft Windows Server 2003 running Terminal Services with Citrix MetaFrame XP Presentation Server or Citrix MetaFrame Presentation Server 3.0, Microsoft Windows 2000 Server running Terminal Services with Citrix Presentation Server 4.0, Microsoft Windows Server 2003 running Terminal Services with Citrix Presentation Server 4.0

Linux Operating Systems Supported

Red Hat Linux 7.3, 8.0, 9.0, Red Flag Linux Desktop 4.0, 5.0, Linpus Linux Desktop 9.2, 9.3, Red Hat Enterprise Linux WS 3.0, 4.0, 5.0, SUSE Linux Enterprise Server 8.0, 9.0, 10.0, SUSE Linux Professional 9.1, 9.2, 9.3, Debian GNU/Linux 3.1, 4.0, Linspire Linux 5.0

Microsoft Windows Operating Systems Supported

2000, NT (4.00/4.00 Server), Me, XP, Server 2003, 98 2nd Edition, XP x64, Server 2003 running Terminal Services, 2000 Server running Terminal Services, Server 2003 x64, Server 2003 x64 running Terminal Services, Vista, Vista x64

Novell Operating Systems Supported

Open Enterprise Server for Netware with NDS, iPrint or Novell Distributed Print Services (NDPS), NetWare® 3.2, 4.2 (bindery), NetWare 4.2, 5.x and 6.x (NDS), NetWare 5.x, 6.x with iPrint or Novell Distributed Print Services (NDPS)

UNIX Operating Systems Supported

Sun Solaris SPARC 8, 9, 10, HP-UX 11.00, 11.1, IBM AIX 5.1, 5.2, 5.3

Other Operating Systems Supported

IBM iSeries or IBM AS/400® Systems with TCP/IP with OS/400® V3R1 or later using OS/400 Host Print Transform, Virtually any platform supporting TCP/IP

Paper Handling Standard

500-Sheet Output Bin, Two 500-Sheet Trays, 100-Sheet Multipurpose Feeder

Paper Handling Optional

Duplex Unit, 2,000-Sheet High-capacity Feeder, 2,000-Sheet Dual Input, 2 x 500-Sheet Drawer, 3,500-Sheet Finisher

Paper Input Capacity, Standard

1100 pages 20 lb or 75 gsm bond

Paper Input Capacity, Maximum

5100 pages 20 lb or 75 gsm bond

Paper Output Capacity, Standard

500 pages 20 lb or 75 gsm bond

Paper Output Capacity, Maximum

3800 pages 20 lb or 75 gsm bond

Envelope Capacity

10

Finishing Option

Yes

Number of Paper Inputs, Standard

3

Number of Paper Inputs, Maximum

6

Media Types Supported

Card Stock, Envelopes, Paper Labels, Plain Paper, Transparencies, Refer to the Card Stock & Label Guide

Media Sizes Supported

10 Envelope, 7 3/4 Envelope, A3, A4, A5, C5 Envelope, DL Envelope, Executive, Folio, JIS-B4, JIS-B5, Ledger, Legal, Letter, Statement, Universal

Connectivity (standard)

Centronics IEEE 1284 Bidirectional Parallel, Fast Ethernet, One Internal Card Slot, USB Compatible with USB 2.0

Specification, USB Direct interface on Operator Panel

Connectivity (optional)

Coax/Twinax Adapter for SCS, Lexmark M4050e 802.11g Wireless Print Server (Print Only), Internal MarkNet™ N8020 Gigabit Ethernet, Internal MarkNet™ N8050 802.11g Wireless, External MarkNet™ N7020e Gigabit Ethernet, Internal MarkNet™ N8030 Fiber Fast Ethernet

Network Printing Methods

LPR/LPD, Direct IP (Port 9100), Socket (Raw TCP/IP), IPP (Internet Printing Protocol), HTTP, NDS Queue-based Printing, NDPS/NEPS (Novell Distributed Print Services, Novell Network Enterprise Print Services), Enhanced IP (Port 9400)

Network Protocol Support

TCP/IP IPv4, IPX/SPX, AppleTalk™, LexLink (DLC), TCP/IP IPv6

Network Security

SSL* Enabled Embedded Web Server (HTTPS), SNMPv3, TCP/IP port access control, Authenticated and encrypted MarkVision Professional communication, 802.1x Authentication: MD5, MSCHAPv2, LEAP, PEAR, TLS, TTLS,

IPSec, *This product includes software developed by the OpenSSL Project for use in the OpenSSL Toolkit.

Printable Area

4 mm of the top, bottom, right and left edges (within)

Printable Area

0.16 inches of the top, bottom, right and left edges (within)

Printer Languages (Standard)

PCL 5e Emulation, PCL 6 Emulation, PPDS, PostScript 3 Emulation, PDF 1.5 Emulation, xHTML

Supplies Yield

Average standard page yield value declared in accordance with ISO/IEC 19752., 60,000-page Photoconductor Unit, 30,000-page Toner Cartridge

Packaged Size (mm - H x W x D)

615 x 830 x 830 mm

Packaged Size (in. - H x W x D)

24.2 x 32.7 x 32.7 in.

Size (mm - H x W x D)

475 x 616 x 520 mm

Size (in. - H x W x D)

18.7 x 24.25 x 20.5 in.

Weight (kg)

45.6 kg

Weight (lb.)

100.5 lb.

Acoustics/Noise level (Idle mode)

28 dBA

Acoustics/Noise level (Operating mode)

55 dBA

Product Guarantee

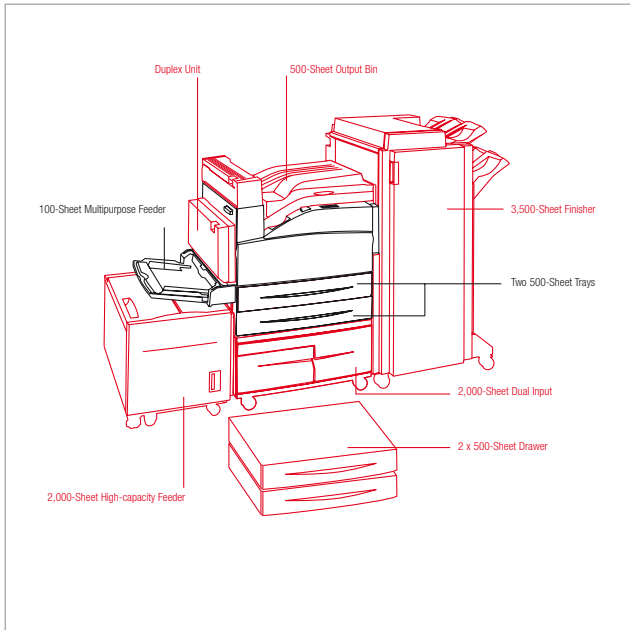
One year on site repair, next business day response time

Product Certifications

CSA, ICES Class A, BSMI Class A, VCCI Class A, FCC Class A, UL 60950 3rd Edition, IEC 320-1, CE Class A, CB IEC 60950, IEC 60825-1, GS (TUV), SEMKO, UL AR, CS, TÜV Rh, N Mark, C-tick Class A/CCC Class A

Specified Operating Environment

Temperature: 16 to 32°C (60 to 90°F), Humidity: 8 to 80% Relative Humidity, Altitude: 0 - 2500 Meters (8,200 Feet), Temperature: 16 to 24°C (60 to 75°F) with Finisher attached



Paper Handling Standard
 Paper Handling Optional

Part # Model
0025A0001 Lexmark W840n

Part # Laser Toner/Print Cartridge
00W84020H W840 Toner Cartridge
00W84030H W840 Photoconductor Kit
0025A0013 Staple Cartridges (3 pack)

Part # Paper & Transparencies
0012A5010 Lexmark Laser Printers - A4 Transparency

Part # Paper Handling
0025A0015 W840 Duplex Unit
0015R0120 W840 2000-Sheet Dual Input
0015R0146 W840 2 x 500-Sheet Drawer
0015R0144 X850e, X852e, X854e, W840 Finisher (2 / 3-Hole)
0015R0145 X850e, X852e, X854e, W840 High Capacity Feeder
0015R0143 X850e, X852e, X854e, W840 Finisher (2 / 4-Hole)

Part # Flash, SDRAM Memory
0013N1523 128MB DDR-DRAM
0013N1524 256MB DDR-DRAM
0013N1526 512MB DDR-DRAM
001021208 32MB Flash Card
001021209 64MB Flash Card
001021243 Japanese Font Card
001021240 Korean Font Card
001021241 Simplified Chinese Font Card
001021242 Traditional Chinese Font Card

Part # Hard disk
0013N1530 40+ GB Hard Disk

Part # Application Cards / SIMMs
0025A0032 W840 Card for IPDS and SCS/Tne
0025A0033 W840 Card for PRESCRIBE Emulation
0025A0036 W840 Bar Code Card
0025A0037 W840 Forms Card
0025A0034 Lexmark PrintCryption Card for the Lexmark W840

Part # Connectivity
001021294 USB (2 Meter) Cable
001021231 Parallel (10') Cable
001021091 Parallel 1284-B Interface Card
001021092 RS-232C Serial Interface Card
0014S0240 Coax/Twinax Adapter for SCS
0014T0155 Lexmark N4050e 802.11g Wireless Print Server
0014S0210 MarkNet N8050 802.11g Wireless Print Server
0014S0200 MarkNet N8020 GigaBit Ethernet Print Server
0014S0220 MarkNet N8030 Fiber Ethernet 100BaseFX, 10BaseFL

0014T0220 MarkNet™ N7020e Gigabit Ethernet Print Server

Part # Extended Warranties
002347512 2 Year OnSite Repair Guarantee (1+1)
002347513 3 Year OnSite Repair Guarantee (1+2)
002347514 4 Year OnSite Repair Guarantee (1+3)
002347640 1 Year OnSite Repair Guarantee Renewal

Part # User Replaceable Parts
0040X0957 W840 Fuser Maintenance Kit HV



Lexmark W840dn

Maximise the benefits and halve
A3+ mono laser costs

Print Technology

Monochrome Laser

Print Speed (A4, Black)

Up to 50 ppm

Print Speed (Letter, Black)

Up to 50 ppm

Print Speed (A4, Black) Duplex

Up to 50 ppm

Print Speed (Letter, Black) Duplex

Up to 50 ppm

Time to First Page (Black)

As fast as 6.8 seconds

Print Resolution, Black

1200 x 1200 dpi

2400 Image Quality

600 x 600 dpi

Processor

625 MHz

Memory, Standard

256 MB

Memory, Maximum

768 MB

Expandable Memory Options

Yes

Apple Macintosh Operating Systems Supported

Mac OS X, Mac OS 9.x

Citrix MetaFrame

Citrix, MetaFrame and MetaFrame XP are registered trademarks or trademarks of Citrix Systems, Inc. in the U.S. and other countries., Microsoft Windows 2000 Server running Terminal Services with Citrix MetaFrame XP Presentation Server or Citrix MetaFrame Presentation Server 3.0., Microsoft Windows Server 2003 running Terminal Services with Citrix MetaFrame XP Presentation Server or Citrix MetaFrame Presentation Server 3.0, Microsoft Windows 2000 Server running Terminal Services with Citrix Presentation Server 4.0, Microsoft Windows Server 2003 running Terminal Services with Citrix Presentation Server 4.0

Linux Operating Systems Supported

Red Hat Linux 7.3, 8.0, 9.0, Red Flag Linux Desktop 4.0, 5.0, Linpus Linux Desktop 9.2, 9.3, Red Hat Enterprise Linux WS 3.0, 4.0, 5.0, SUSE Linux Enterprise Server 8.0, 9.0, 10.0, SUSE Linux Professional 9.1, 9.2, 9.3, Debian GNU/Linux 3.1, 4.0, Linspire Linux 5.0

Microsoft Windows Operating Systems Supported

2000, NT (4.00/4.00 Server), Me, XP, Server 2003, 98 2nd Edition, XP x64, Server 2003 running Terminal Services, 2000 Server running Terminal Services, Server 2003 x64, Server 2003 x64 running Terminal Services, Vista, Vista x64

Novell Operating Systems Supported

Open Enterprise Server for Netware with NDS, iPrint or Novell Distributed Print Services (NDPS), NetWare® 3.2, 4.2 (bindery), NetWare 4.2, 5.x and 6.x (NDS), NetWare 5.x, 6.x with iPrint or Novell Distributed Print Services (NDPS)

UNIX Operating Systems Supported

Sun Solaris SPARC 8, 9, 10, HP-UX 11.00, 11.1.1, IBM AIX 5.1, 5.2, 5.3

Other Operating Systems Supported

IBM iSeries or IBM AS/400® Systems with TCP/IP with OS/400® V3R1 or later using OS/400 Host Print Transform, Virtually any platform supporting TCP/IP

Paper Handling Standard

500-Sheet Output Bin, Duplex Unit, Two 500-Sheet Trays, 100-Sheet Multipurpose Feeder

Paper Handling Optional

2,000-Sheet High-capacity Feeder, 2,000-Sheet Dual Input, 2 x 500-Sheet Drawer, 3,500-Sheet Finisher

Paper Input Capacity, Standard

1100 pages 20 lb or 75 gsm bond

Paper Input Capacity, Maximum

5100 pages 20 lb or 75 gsm bond

Paper Output Capacity, Standard

500 pages 20 lb or 75 gsm bond

Paper Output Capacity, Maximum

3800 pages 20 lb or 75 gsm bond

Envelope Capacity

10

Finishing Option

Yes

Number of Paper Inputs, Standard

3

Number of Paper Inputs, Maximum

6

Media Types Supported

Card Stock, Envelopes, Paper Labels, Plain Paper, Transparencies, Refer to the Card Stock & Label Guide

Media Sizes Supported

10 Envelope, 7 3/4 Envelope, A3, A4, A5, C5 Envelope, DL Envelope, Executive, Folio, JIS-B4, JIS-B5, Ledger, Legal, Letter, Statement, Universal

Connectivity (standard)

Centronics IEEE 1284 Bidirectional Parallel, Fast Ethernet, One Internal Card Slot, USB Compatible with USB 2.0 Specification, USB Direct interface on Operator Panel

Connectivity (optional)

Coax/Winax Adapter for SCS, Lexmark M4050e 802.11g Wireless Print Server (Print Only), Internal MarkNet™ N8020 Gigabit Ethernet, Internal MarkNet™ N8050 802.11g Wireless, External MarkNet™ N7020e Gigabit Ethernet, Internal MarkNet™ N8030 Fiber Fast Ethernet

Network Printing Methods

LPR/LPD, Direct IP (Port 9100), Socket (Raw TCP/IP), IPP (Internet Printing Protocol), HTTP, NDS Queue-based Printing, NDPS/NEPS (Novell Distributed Print Services, Novell Netware Enterprise Print Services), Enhanced IP (Port 9400)

Network Protocol Support

TCP/IP IPv4, IPX/SPX, AppleTalk™, LexLink (DLIC),

TCP/IP IPv6

Network Security

SSL* Enabled Embedded Web Server (HTTPS), SNMPv3, TCP/IP port access control, Authenticated and encrypted MarkVision Professional communication, 802.1x Authentication: MD5, MSCHAPv2, LEAP, PEAP, TLS, TTLS, IPSec, *This product includes software developed by the OpenSSL Project for use in the OpenSSL Toolkit.

Printable Area

4 mm of the top, bottom, right and left edges (within)

Printable Area

0.16 inches of the top, bottom, right and left edges (within)

Printer Languages (Standard)

PCL 5e Emulation, PCL 6 Emulation, PPDS, PostScript 3 Emulation, PDF 1.5 Emulation, xHTML

Supplies Yield

Average standard page yield value declared in accordance with ISO/IEC 19752., 60,000-page Photoconductor Unit, 30,000-page Toner Cartridge

Packaged Size (mm - H x W x D)

985 x 830 x 830 mm

Packaged Size (in. - H x W x D)

38.8 x 32.7 x 32.7 in.

Size (mm - H x W x D)

571 x 616 x 520 mm

Size (in. - H x W x D)

22.5 x 24.25 x 20.5 in.

Weight (kg)

47.4 kg

Weight (lb.)

104.4 lb.

Acoustics/Noise level (Idle mode)

28 dBA

Acoustics/Noise level (Operating mode)

57 dBA

Product Guarantee

One year on site repair, next business day response time

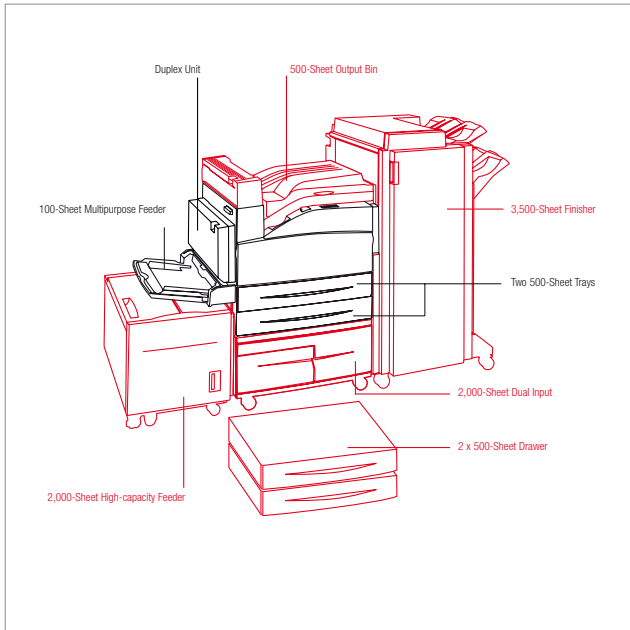
Product Certifications

Energy Star, CSA, ICES Class A, BSMI Class A, VCCI Class A, FCC Class A, UL 60950 3rd Edition, IEC 320-1, CE Class A, CB IEC 60950, IEC 60925-1, GS (TUV), SEMKO, UL AR, CS, TÜV Rh, N Mark, C-tick Class A/CCC Class A

Specified Operating Environment

Temperature: 16 to 32°C (60 to 90°F), Humidity: 8 to 80% Relative Humidity, Altitude: 0 - 2500 Meters (8,200 Feet), Temperature:

16 to 24°C (60 to 75°F) with Finisher attached



Paper Handling Standard
 Paper Handling Optional

Part # Model
0025A0076 Lexmark W840dn

Part # Laser Toner/Print Cartridge
00W84020H W840 Toner Cartridge
00W84030H W840 Photoconductor Kit
0025A0013 Staple Cartridges (3 pack)

Part # Paper & Transparencies
0012A5010 Lexmark Laser Printers - A4 Transparency

Part # Paper Handling
0015R0120 W840 2000-Sheet Dual Input
0015R0146 W840 2 x 500-Sheet Drawer
0015R0144 X850e, X852e, X854e, W840 Finisher (2 / 3-Hole)
0015R0145 X850e, X852e, X854e, W840 High Capacity Feeder
0015R0143 X850e, X852e, X854e, W840 Finisher (2 / 4-Hole)

Part # Flash, SDRAM Memory
0013N1523 128MB DDR-DRAM
0013N1524 256MB DDR-DRAM
0013N1526 512MB DDR-DRAM
001021208 32MB Flash Card
001021209 64MB Flash Card
001021243 Japanese Font Card
001021240 Korean Font Card
001021241 Simplified Chinese Font Card
001021242 Traditional Chinese Font Card

Part # Hard disk
0013N1530 40+ GB Hard Disk

Part # Application Cards / SIMMs
0025A0032 W840 Card for IPDS and SCS/Tne
0025A0036 W840 Bar Code Card
0025A0033 W840 Card for PRESCRIBE Emulation
0025A0037 W840 Forms Card
0025A0034 Lexmark Print/Cryption Card for the Lexmark W840

Part # Connectivity
001021294 USB (2 Meter) Cable
001021231 Parallel (10') Cable
001021091 Parallel 1284-B Interface Card
001021092 RS-232C Serial Interface Card
0014S0240 Coax/Twinax Adapter for SCS
0014T0155 Lexmark N4050e 802.11g Wireless Print Server
0014S0210 MarkNet N8050 802.11g Wireless Print Server
0014S0200 MarkNet N8020 GigaBit Ethernet Print Server
0014S0220 MarkNet N8030 Fiber Ethernet 100BaseFX, 10BaseFL
0014T0220 MarkNet™ N7020e Gigabit Ethernet Print Server

Part # Extended Warranties
002347512 2 Year OnSite Repair Guarantee (1+1)
002347513 3 Year OnSite Repair Guarantee (1+2)
002347514 4 Year OnSite Repair Guarantee (1+3)
002347640 1 Year OnSite Repair Guarantee Renewal

Part # User Replaceable Parts
0040X0957 W840 Fuser Maintenance Kit HV

Lexmark C500n



Great mono performance with the added benefit of colour and network!

Print Technology

Color Laser

Print Speed (A4, Black)

Up to 31 ppm

Print Speed (A4, Colour)

Up to 8 ppm

Print Speed (Letter, Black)

Up to 31 ppm

Print Speed (Letter, Colour)

Up to 8 ppm

Time to First Page (Black)

As fast as 13 seconds

Time to First Page (Colour)

As fast as 19 seconds

Print Resolution, Black

1200 x 600 dpi

Print Resolution, Colour

1200 x 600 dpi

Processor

200 MHz

Memory, Standard

64 MB

Memory, Maximum

64 MB

Expandable Memory Options

No

Apple Macintosh Operating Systems Supported

Mac OS X, Mac OS 9.x

Microsoft Windows Operating Systems Supported

2000, XP, Server 2003

Paper Handling Standard

250-Sheet Output Bin, 250-Sheet Input Tray

Paper Handling Optional

530-Sheet Drawer

Paper Input Capacity, Standard

250 pages 20 lb or 75 gsm bond

Paper Input Capacity, Maximum

780 pages 20 lb or 75 gsm bond

Paper Output Capacity, Standard

250 pages 20 lb or 75 gsm bond

Paper Output Capacity, Maximum

250 pages 20 lb or 75 gsm bond

Finishing Option

No

Number of Paper Inputs, Standard

1

Number of Paper Inputs, Maximum

2

Media Types Supported

Card Stock, Envelopes, Glossy paper, Labels, Plain Paper, Transparencies, Refer to the Card Stock & Label Guide

Media Sizes Supported

10 Envelope, A4, A5, B5 Envelope, DL Envelope, Executive, Folio, JIS-B5, Letter, Statement, Universal, Legal with Optional Legal Tray

Connectivity (standard)

Fast Ethernet, USB Compatible with USB 2.0 Specification

Network Printing Methods

LPR/LPD, Direct IP (Port 9100), IPP (Internet Printing Protocol), HTTP

Network Protocol Support

TCP/IP IPv4, AppleTalk™

Printable Area

5,0 mm of the top, bottom, right and left edges (within)

Printable Area

0,197 inches of the top, bottom, right and left edges (within)

Printer Languages (Standard)

Host-Based Printing

Supplies Yield

Yield at approximately 5% coverage per colour, 1,500-page colour Toner Cartridges (CMY), 2,500*-page black Toner Cartridge, Ships with 1,000*-page black and colour Starter Toner Cartridges, 3,000*-page colour High Yield Toner Cartridges (CMY), 5,000*-page black High Yield Toner Cartridge

Packaged Size (mm - H x W x D)

570 x 574 x 530 mm

Packaged Size (in. - H x W x D)

22.4 x 22.6 x 20.9 in.

Size (mm - H x W x D)

385 x 480 x 420 mm

Size (in. - H x W x D)

15.2 x 18.9 x 16.5 in.

Weight (kg)

29 kg

Weight (lb.)

66 lb.

Acoustics/Noise level (Idle mode)

41 dBA

Acoustics/Noise level (Operating mode)

53 dBA

Product Guarantee

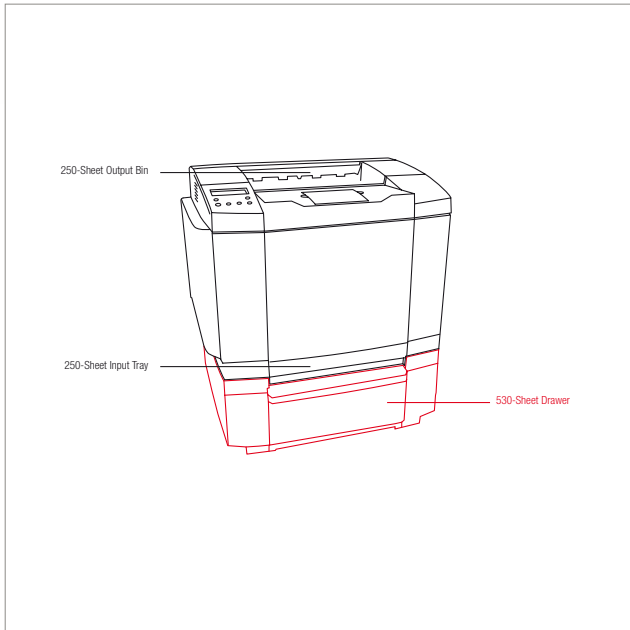
One year on site repair, next business day response time

Product Certifications

FCC Class B, UL 60950-1, U.S. FDA, IEC 60320-1, CAN/CSA-C22.2 60950-00, ICES Class B, CE Class B, CB IEC 60320, IEC 60825-1, GS (TÜV), SEMKO, UL AR, CS, TÜV R, ACA C-tick mark Class B, BSMI Class B, CCC Class B, EK, MIC

Specified Operating Environment

Altitude: 0 - 2500 Meters (8,200 Feet), Humidity: 15 to 80% Relative Humidity, Temperature: 10 to 32°C (50 to 90°F)



Paper Handling Standard
 Paper Handling Optional

Part #	Model
0022R0040	Lexmark C500n

Part #	Laser Toner/Print Cartridge
0C500H2KG	C500, X500, X502 Black High Yield Toner Cartridge
0C500H2CG	C500, X500, X502 Cyan High Yield Toner Cartridge
0C500H2MG	C500, X500, X502 Magenta High Yield Toner Cartridge
0C500H2YG	C500, X500, X502 Yellow High Yield Toner Cartridge
0C500S2KG	C500, X500, X502 Black Toner Cartridge
0C500S2CG	C500, X500, X502 Cyan Toner Cartridge
0C500S2MG	C500, X500, X502 Magenta Toner Cartridge
0C500S2YG	C500, X500, X502 Yellow Toner Cartridge
0C500X26G	C500, X500, X502 Photodeveloper Cartridge
0C500X27G	C500, X500, X502 Waste Toner Bottle
0C500X28G	C500, C510, X500, X502 Fuser Maintenance Kit LV
0C500X29G	C500, C510, X500, X502 Fuser Maintenance Kit HV

Part #	Paper & Transparencies
0012A8241	Professional Colour Laser Transparencies, A4
0012A5951	Glossy Laser Paper, A4 (200)
0012A5950	Glossy Laser Paper, Letter (200)

Part #	Paper Handling
0022R0194	C500 530-Sheet Drawer

Part #	Connectivity
001021294	USB (2 Meter) Cable
001470155	Lexmark N4050e 802.11g Wireless Print Server
001470220	MarkNet™ N7020e Gigabit Ethernet Print Server

Part #	Extended Warranties
002348670	1 Year OnSite Repair Extended Guarantee
002348671	2 Year OnSite Repair Extended Guarantee
002348674	1 Year Renewal OnSite Repair Guarantee



Lexmark C530dn

Lexmark's most affordable duplex colour printer ever!

Print Technology

Color Laser

Print Speed (A4, Black)

Up to 22 ppm

Print Speed (A4, Colour)

Up to 21 ppm

Print Speed (Letter, Black)

Up to 24 ppm

Print Speed (Letter, Colour)

Up to 22 ppm

Time to First Page (Black)

As fast as < 11 seconds

Time to First Page (Colour)

As fast as < 11 seconds

Print Resolution, Black

1200 x 1200 dpi

4800 Color Quality (2400 x 600 dpi)

Print Resolution, Colour

1200 x 1200 dpi, 4800 Colour Quality (2400 x 600 dpi)

Processor

375 MHz

Memory, Standard

128 MB

Memory, Maximum

640 MB

Expandable Memory Options

Yes

Apple Macintosh Operating Systems Supported

Mac OS X, Mac OS 9.x

Citrix MetaFrame

Citrix, MetaFrame and MetaFrame XP are registered trademarks or trademarks of Citrix Systems, Inc. in the U.S. and other countries. Microsoft Windows 2000 Server running Terminal Services with Citrix MetaFrame XP Presentation Server or Citrix MetaFrame Presentation Server 3.0, Microsoft Windows Server 2003 running Terminal Services with Citrix MetaFrame XP Presentation Server or Citrix MetaFrame Presentation Server 3.0, Microsoft Windows 2000 Server running Terminal Services with Citrix Presentation Server 4.0, Microsoft Windows Server 2003 running Terminal Services with Citrix Presentation Server 4.0

Linux Operating Systems Supported

Red Flag Linux Desktop 4.0, 5.0, Linpus Linux Desktop 9.2, 9.3, Red Hat Enterprise Linux WS 3.0, 4.0, 5.0, SUSE Linux Enterprise Server 8.0, 9.0, 10.0, SUSE Linux Professional 9.1, 9.2, 9.3, Debian GNU/Linux 3.1, 4.0, Linspire Linux 5.0, SUSE Linux 10.0, 10.1, 10.2

Microsoft Windows Operating Systems Supported

2000, NT (4.00/4.00 Server), Me, XP, Server 2003, 98 2nd Edition, XP x64, Server 2003 running Terminal Services, 2000 Server running Terminal Services, Server 2003 x64, Vista

Novell Operating Systems Supported

Open Enterprise Server for Netware with NDS, iPrint or Novell Distributed Print Services (NDPS), NetWare 5.x, 6.x with iPrint or Novell Distributed Print Services (NDPS)

UNIX Operating Systems Supported

Sun Solaris SPARC 8, 9, 10, HP-UX 11.00, 11.1, IBM AIX 5.1, 5.2, 5.3, Sun Solaris x86 10

Other Operating Systems Supported

IBM iSeries or IBM AS/400® Systems with TCP/IP with OS/400® V3R1 or later using OS/400 Host Print Transform, Virtually any platform supporting TCP/IP

Paper Handling Standard

250-Sheet Output Bin, Integrated Duplex, 100-Sheet Multipurpose Feeder, 250-Sheet Input Tray

Paper Input Capacity, Standard

350 pages 20 lb or 75 gsm bond

Paper Input Capacity, Maximum

350 pages 20 lb or 75 gsm bond

Paper Output Capacity, Standard

250 pages 20 lb or 75 gsm bond

Paper Output Capacity, Maximum

250 pages 20 lb or 75 gsm bond

Envelope Capacity

10

Finishing Option

No

Number of Paper Inputs, Standard

2

Number of Paper Inputs, Maximum

2

Media Types Supported

Card Stock, Envelopes, Labels, Plain Paper, Transparencies, Refer to the Card Stock & Label Guide

Media Sizes Supported

10 Envelope, 7 3/4 Envelope, 9 Envelope, A4, A5, B5 Envelope, C5 Envelope, DL Envelope, Executive, Folio, JIS-B5, Legal, Letter, Statement, Universal

Connectivity (standard)

Fast Ethernet, USB Compatible with USB 2.0 Specification

Connectivity (optional)

Lexmark N4050e 802.11g Wireless Print Server (Print Only), External MarkNet™ N7020e Gigabit Ethernet, External MarkNet™ N7000e Fast Ethernet (USB)

Network Printing Methods

LPR/LPD, Direct IP (Port 9100), Socket (Raw TCP/IP), IPP (Internet Printing Protocol), HTTP, Enhanced IP (Port 9400), FTP, TFTP

Network Protocol Support

TCP/IP IPv4, AppleTalk™, TCP/IP IPv6

Printable Area

4.2 mm of the top, bottom, right and left edges (within)

Printable Area

0.167 inches of the top, bottom, right and left edges (within)

Printer Languages (Standard)

PCL 5c Emulation, PCL 6 Emulation, PPDS, PostScript 3 Emulation, PDF 1.5 Emulation, xHTML

Supplies Yield

3,000*-page colour Toner Cartridges (CMY), Ships with 1,500*-page black and colour Starter Toner Cartridges, 20,000*-page Photoconductor Unit, 4,000*-page Black Toner Cartridge, 1,500*-page black and colour Toner Cartridges, *Average continuous black or continuous composite CMY declared cartridge yield up to this number of standard pages in accordance with ISO/IEC 19798.

Packaged Size (mm - H x W x D)

570 x 633 x 553 mm

Packaged Size (in. - H x W x D)

22.4 x 24.9 x 21.8 in.

Size (mm - H x W x D)

484 x 440 x 512 mm

Size (in. - H x W x D)

19 x 17.3 x 20.2 in.

Weight (kg)

25.9 kg

Weight (lb.)

57.0 lb.

Acoustics/Noise level (Idle mode)

31 dBA

Acoustics/Noise level (Operating mode)

53 dBA

Product Guarantee

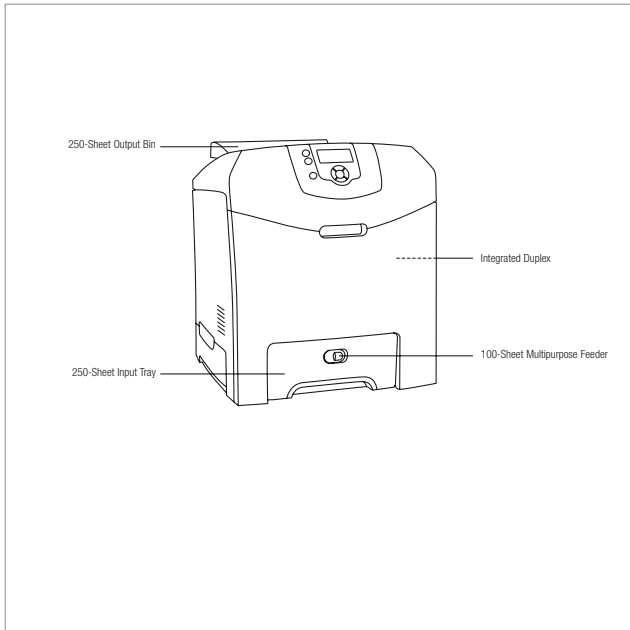
One year on site repair, next business day response time

Product Certifications

Energy Star, CSA, ICES Class B, BSMI Class B, VCCI Class B, FCC Class B, UL 60950 3rd Edition, IEC 320-1, CE Class B, CB IEC 60950, IEC 60825-1, GS (TUV), SEMKO, UL AR, CS, TÜV Rh, C-tick mark Class B, CCC Class B, CISPR 22 Class B, MIC Mark

Specified Operating Environment

Temperature: 16 to 32°C (60 to 90°F), Humidity: 8 to 80% Relative Humidity, Altitude: 0 - 3048 Meters (10,000 Feet)



■ Paper Handling Standard

Part #	Model
0034C0161	Lexmark C530dn

Part #	Laser Toner/Print Cartridge
00C5220KS	C522, C524, C53x Black Return Program Toner Cartridge
00C5220CS	C522, C524, C53x Cyan Return Program Toner Cartridge
00C5220MS	C522, C524, C53x Magenta Return Program Toner Cartridge
00C5220YS	C522, C524, C53x Yellow Return Program Toner Cartridge
00C5200KS	C520, C530 Black Return Program Toner Cartridge
00C5200CS	C520, C530 Cyan Return Program Toner Cartridge
00C5200MS	C520, C530 Magenta Return Program Toner Cartridge
00C5200YS	C520, C530 Yellow Return Program Toner Cartridge
00C5222KS	C522, C524, C53x Black Toner Cartridge
00C5222CS	C522, C524, C53x Cyan Toner Cartridge
00C5222MS	C522, C524, C53x Magenta Toner Cartridge
00C5222YS	C522, C524, C53x Yellow Toner Cartridge
00C5202KS	C520, C530 Black Toner Cartridge
00C5202CS	C520, C530 Cyan Toner Cartridge
00C5202MS	C520, C530 Magenta Toner Cartridge
00C5202YS	C520, C530 Yellow Toner Cartridge
00C5202SX	C52x Waste Toner Container (30K images)
00C53034X	C53x 20K Photoconductor Unit 4-Pack
00C53030X	C53x 20K Photoconductor Unit 1-Pack

Part #	Paper & Transparencies
0012A5951	Glossy Laser Paper, A4 (200)
0012A8241	Professional Colour Laser Transparencies, A4
0012A5950	Glossy Laser Paper, Letter (200)

Part #	Flash, SDRAM Memory
0013N1523	128MB DDR-DRAM
0013N1524	256MB DDR-DRAM
0013N1526	512MB DDR-DRAM
001021208	32MB Flash Card
001021209	64MB Flash Card
001021243	Japanese Font Card
001021240	Korean Font Card
001021241	Simplified Chinese Font Card
001021242	Traditional Chinese Font Card

Part #	Connectivity
001021294	USB (2 Meter) Cable
0014T0155	Lexmark I4050e 802.11g Wireless Print Server
0014T0220	MarkNet™ N7020e Gigabit Ethernet Print Server
0014T0230	MarkNet™ N7000e Fast Ethernet Print Server - USB

Part #	Extended Warranties
002348617	1 Year Onsite Repair Extended Guarantee
002348618	2 Year On site Repair Extended Guarantee
002349197	1 Year Renewal on site repair Guarantee

Part #	User Replaceable Parts
0040X3572	C53x Transfer Belt Maintenance Kit
0040X3569	C52x, C53x Fuser Maintenance Kit LV
0040X3570	C52x, C53x Fuser Maintenance Kit HV

Lexmark C532n



Outstanding value in colour laser printing for small workgroups!

Print Technology

Color Laser

Print Speed (A4, Black)

Up to 22 ppm

Print Speed (A4, Colour)

Up to 21 ppm

Print Speed (Letter, Black)

Up to 24 ppm

Print Speed (Letter, Colour)

Up to 22 ppm

Time to First Page (Black)

As fast as 10.5 seconds

Time to First Page (Colour)

As fast as < 11 seconds

Print Resolution, Black

1200 x 1200 dpi

4800 Color Quality (2400 x 600 dpi)

Print Resolution, Colour

1200 x 1200 dpi, 4800 Colour Quality (2400 x 600 dpi)

Processor

375 MHz

Memory, Standard

128 MB

Memory, Maximum

640 MB

Expandable Memory Options

Yes

Apple Macintosh Operating Systems Supported

Mac OS X, Mac OS 9.x

Citrix MetaFrame

Citrix, MetaFrame and MetaFrame XP are registered trademarks or trademarks of Citrix Systems, Inc. in the U.S. and other countries. Microsoft Windows 2000 Server running Terminal Services with Citrix MetaFrame XP Presentation Server or Citrix MetaFrame Presentation Server 3.0, Microsoft Windows Server 2003 running Terminal Services with Citrix MetaFrame XP Presentation Server or Citrix MetaFrame Presentation Server 3.0, Microsoft Windows 2000 Server running Terminal Services with Citrix Presentation Server 4.0, Microsoft Windows Server 2003 running Terminal Services with Citrix Presentation Server 4.0

Linux Operating Systems Supported

Red Flag Linux Desktop 4.0, 5.0, Linpus Linux Desktop 9.2, 9.3, Red Hat Enterprise Linux WS 3.0, 4.0, 5.0, SUSE Linux Enterprise Server 8.0, 9.0, 10.0, SUSE Linux Professional 9.1, 9.2, 9.3, Debian GNU/Linux 3.1, 4.0, Linspire Linux 5.0, SUSE Linux 10.0, 10.1, 10.2

Microsoft Windows Operating Systems Supported

2000, NT (4.00/4.00 Server), Me, XP, Server 2003, 98 2nd Edition, XP x64, Server 2003 running Terminal Services, 2000 Server running Terminal Services, Server 2003 x64, Vista

Novell Operating Systems Supported

Open Enterprise Server for Netware with NDS, iPrint or Novell Distributed Print Services (NDPS), NetWare 5.x, 6.x with iPrint or Novell Distributed Print Services (NDPS)

UNIX Operating Systems Supported

Sun Solaris SPARC 8, 9, 10, HP-UX 11.00, 11.1, IBM AIX 5.1, 5.2, 5.3, Sun Solaris x86 10

Other Operating Systems Supported

IBM iSeries or IBM AS/400® Systems with TCP/IP with OS/400® V3R1 or later using OS/400 Host Print Transform, Virtually any platform supporting TCP/IP

Paper Handling Standard

250-Sheet Output Bin, Single Sheet Manual Feed, 250-Sheet Input Tray

Paper Handling Optional

550-Sheet Drawer

Paper Input Capacity, Standard

250 pages 20 lb or 75 gsm bond

Paper Input Capacity, Maximum

800 pages 20 lb or 75 gsm bond

Paper Output Capacity, Standard

250 pages 20 lb or 75 gsm bond

Paper Output Capacity, Maximum

250 pages 20 lb or 75 gsm bond

Envelope Capacity

1

Finishing Option

No

Number of Paper Inputs, Standard

2

Number of Paper Inputs, Maximum

3

Media Types Supported

Card Stock, Envelopes, Labels, Plain Paper, Transparencies, Refer to the Card Stock & Label Guide

Media Sizes Supported

10 Envelope, 7 3/4 Envelope, 9 Envelope, A4, A5, B5 Envelope, C5 Envelope, DL Envelope, Executive, Folio, JIS-B5, Legal, Letter, Statement, Universal

Connectivity (standard)

Fast Ethernet, USB Compatible with USB 2.0 Specification

Connectivity (optional)

Lexmark N4050e 802.11g Wireless Print Server (Print Only), External MarkNet™ N7020e Gigabit Ethernet, External MarkNet™ N7000e Fast Ethernet (USB)

Network Printing Methods

LPR/LPD, Direct IP (Port 9100), Socket (Raw TCP/IP), IPP (Internet Printing Protocol), HTTP, Enhanced IP (Port 9400), FTP, TFTP

Network Protocol Support

TCP/IP IPv4, AppleTalk™, TCP/IP IPv6

Printable Area

4.2 mm of the top, bottom, right and left edges (within)

Printable Area

0.167 inches of the top, bottom, right and left edges (within)

Printer Languages (Standard)

PCL 5c Emulation, PCL 6 Emulation, PPDS, PostScript 3

Emulation, PDF 1.5 Emulation, xHTML

Supplies Yield

3,000*-page colour Toner Cartridges (CMY), 20,000*-page Photoconductor Unit, 5,000*-page colour High Yield Toner Cartridges (CMY), 4,000*-page Black Toner Cartridge, *Average continuous black or continuous composite CMY declared cartridge yield up to this number of standard pages in accordance with ISO/IEC 19798., Ships with 4,000*-page black and 3,000* page colour Return Program Toner Cartridges

Packaged Size (mm - H x W x D)

570 x 633 x 553 mm

Packaged Size (in. - H x W x D)

22.4 x 24.9 x 21.8 in.

Size (mm - H x W x D)

484 x 440 x 512 mm

Size (in. - H x W x D)

19 x 17.3 x 20.2 in.

Weight (kg)

25.9 kg

Weight (lb.)

57.0 lb.

Acoustics/Noise level (Idle mode)

31 dBA

Acoustics/Noise level (Operating mode)

53 dBA

Product Guarantee

One year on site repair, next business day response time.

Product Certifications

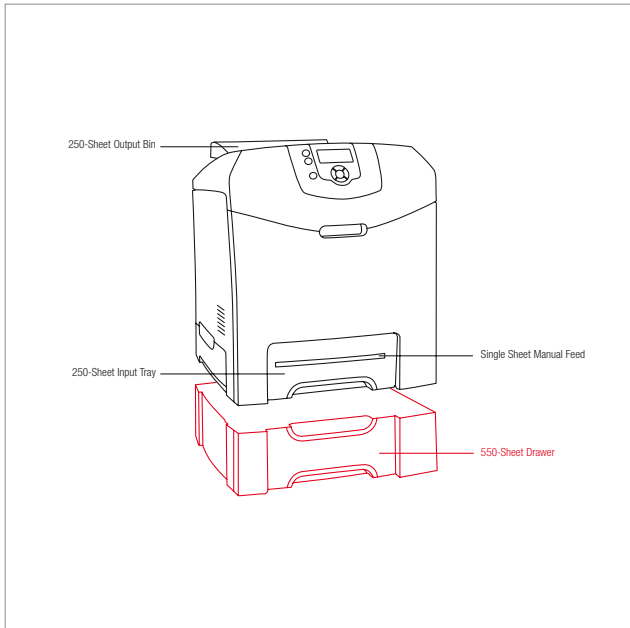
CSA, ICES Class B, BSMI Class B, VCCI Class B, FCC Class B, UL 60950 3rd Edition, IEC 320-1, CE Class B, CB IEC 60950, IEC 60825-1, GS (TÜV), SEMKO, UL AR, CS, TÜV Rh, C-tick mark Class B, CCC Class B, CISPR 22 Class B, MIC Mark

Duty Cycle

Up to 75,000 one-time maximum Pages per month (one-time monthly usage)

Specified Operating Environment

Temperature: 16 to 32°C (60 to 90°F), Humidity: 8 to 80% Relative Humidity, Altitude: 0 - 3048 Meters (10,000 Feet)



Paper Handling Standard
 Paper Handling Optional

Part # Model

0034B0061 Lexmark C532n

002349206 1 Year Renewal Onsite Repair Guarantee

Part # Laser Toner/Print Cartridge

00C5220KS C522, C524, C53x Black Return Program Toner Cartridge
 00C5222KS C522, C524, C53x Black Toner Cartridge
 00C5240CH C524, C532, C534 Cyan High Yield Return Program Toner Cartridge
 00C5220CS C522, C524, C53x Cyan Return Program Toner Cartridge
 00C5242CH C524, C532, C534 Cyan High Yield Toner Cartridge
 00C5222CS C522, C524, C53x Cyan Toner Cartridge
 00C5240MH C524, C532, C534 Magenta High Yield Return Program Toner Cartridge
 00C5220MS C522, C524, C53x Magenta Return Program Toner Cartridge
 00C5242MH C524, C532, C534 Magenta High Yield Toner Cartridge
 00C5222MS C522, C524, C53x Magenta Toner Cartridge
 00C5240YH C524, C532, C534 Yellow High Yield Return Program Toner Cartridge
 00C5220YS C522, C524, C53x Yellow Return Program Toner Cartridge
 00C5242YH C524, C532, C534 Yellow High Yield Toner Cartridge
 00C5222YS C522, C524, C53x Yellow Toner Cartridge
 00C52025X C52x Waste Toner Container (OK images)
 00C53034X C53x 20K Photoconductor Unit 4-Pack
 00C53030X C53x 20K Photoconductor Unit 1-Pack

Part # User Replaceable Parts

0040X3572 C53x Transfer Belt Maintenance Kit
 0040X3569 C52x, C53x Fuser Maintenance Kit LV
 0040X3570 C52x, C53x Fuser Maintenance Kit HV

Part # Paper & Transparencies

0012A5951 Glossy Laser Paper, A4 (200)
 0012A8241 Professional Colour Laser Transparencies, A4
 0012A5950 Glossy Laser Paper, Letter (200)

Part # Paper Handling

0036B1600 C532, C534 550-Sheet Drawer

Part # Flash, SDRAM Memory

0013N1523 128MB DDR-DRAM
 0013N1524 256MB DDR-DRAM
 0013N1526 512MB DDR-DRAM
 001021208 32MB Flash Card
 001021209 64MB Flash Card
 001021243 Japanese Font Card
 001021240 Korean Font Card
 001021241 Simplified Chinese Font Card
 001021242 Traditional Chinese Font Card

Part # Connectivity

001021294 USB (2 Meter) Cable
 0014T0155 Lexmark N4050e 802.11g Wireless Print Server
 0014T0220 MarkNet™ N7020e Gigabit Ethernet Print Server
 0014T0230 MarkNet™ N7000e Fast Ethernet Print Server - USB

Part # Extended Warranties

002348656 1 Year Onsite Repair Extended Guarantee
 002348657 2 Year Onsite Repair Extended Guarantee



Lexmark C532dn

Outstanding value in colour laser printing for small workgroups!

Print Technology

Color Laser

Print Speed (A4, Black)

Up to 22 ppm

Print Speed (A4, Colour)

Up to 21 ppm

Print Speed (Letter, Black)

Up to 24 ppm

Print Speed (Letter, Colour)

Up to 22 ppm

Time to First Page (Black)

As fast as 10.5 seconds

Time to First Page (Colour)

As fast as < 11 seconds

Print Resolution, Black

1200 x 1200 dpi

4800 Color Quality (2400 x 600 dpi)

Print Resolution, Colour

1200 x 1200 dpi, 4800 Colour Quality (2400 x 600 dpi)

Processor

375 MHz

Memory, Standard

128 MB

Memory, Maximum

640 MB

Expandable Memory Options

Yes

Apple Macintosh Operating Systems Supported

Mac OS X, Mac OS 9.x

Citrix MetaFrame

Citrix, MetaFrame and MetaFrame XP are registered trademarks or trademarks of Citrix Systems, Inc. in the U.S. and other countries. Microsoft Windows 2000 Server running Terminal Services with Citrix MetaFrame XP Presentation Server or Citrix MetaFrame Presentation Server 3.0, Microsoft Windows Server 2003 running Terminal Services with Citrix MetaFrame XP Presentation Server or Citrix MetaFrame Presentation Server 3.0, Microsoft Windows 2000 Server running Terminal Services with Citrix Presentation Server 4.0, Microsoft Windows Server 2003 running Terminal Services with Citrix Presentation Server 4.0

Linux Operating Systems Supported

Red Flag Linux Desktop 4.0, 5.0, Linpus Linux Desktop 9.2, 9.3, Red Hat Enterprise Linux WS 3.0, 4.0, 5.0, SUSE Linux Enterprise Server 8.0, 9.0, 10.0, SUSE Linux Professional 9.1, 9.2, 9.3, Debian GNU/Linux 3.1, 4.0, Linspire Linux 5.0, SUSE Linux 10.0, 10.1, 10.2

Microsoft Windows Operating Systems Supported

2000, NT (4.00/4.00 Server), Me, XP, Server 2003, 98 2nd Edition, XP x64, Server 2003 running Terminal Services, 2000 Server running Terminal Services, Server 2003 x64, Vista

Novell Operating Systems Supported

Open Enterprise Server for Netware with NDS, iPrint or Novell Distributed Print Services (NDPS), NetWare 5.x, 6.x with iPrint or Novell Distributed Print Services (NDPS)

UNIX Operating Systems Supported

Sun Solaris SPARC 8, 9, 10, HP-UX 11.00, 11.1, IBM AIX 5.1, 5.2, 5.3, Sun Solaris x86 10

Other Operating Systems Supported

IBM iSeries or IBM AS/400® Systems with TCP/IP with OS/400® V3R1 or later using OS/400 Host Print Transform, Virtually any platform supporting TCP/IP

Paper Handling Standard

250-Sheet Output Bin, Integrated Duplex, 100-Sheet Multipurpose Feeder, 250-Sheet Input Tray

Paper Handling Optional

550-Sheet Drawer

Paper Input Capacity, Standard

350 pages 20 lb or 75 gsm bond

Paper Input Capacity, Maximum

900 pages 20 lb or 75 gsm bond

Paper Output Capacity, Standard

250 pages 20 lb or 75 gsm bond

Paper Output Capacity, Maximum

250 pages 20 lb or 75 gsm bond

Envelope Capacity

10

Finishing Option

No

Number of Paper Inputs, Standard

2

Number of Paper Inputs, Maximum

3

Media Types Supported

Card Stock, Envelopes, Labels, Plain Paper, Transparencies, Refer to the Card Stock & Label Guide

Media Sizes Supported

10 Envelope, 7 3/4 Envelope, 9 Envelope, A4, A5, B5 Envelope, C5 Envelope, DL Envelope, Executive, Folio, JIS-B5, Legal, Letter, Statement, Universal

Connectivity (standard)

Fast Ethernet, USB Compatible with USB 2.0 Specification

Connectivity (optional)

Lexmark N4050e 802.11g Wireless Print Server (Print Only), External MarkNet™ N7020e Gigabit Ethernet, External MarkNet™ N7000e Fast Ethernet (USB)

Network Printing Methods

LPR/LPD, Direct IP (Port 9100), Socket (Raw TCP/IP), IPP (Internet Printing Protocol), HTTP, Enhanced IP (Port 9400), FTP, TFTP

Network Protocol Support

TCP/IP IPv4, AppleTalk™, TCP/IP IPv6

Printable Area

4.2 mm of the top, bottom, right and left edges (within)

Printable Area

0.167 inches of the top, bottom, right and left edges (within)

Printer Languages (Standard)

PCL 5c Emulation, PCL 6 Emulation, PPDS, PostScript 3

Emulation, PDF 1.5 Emulation, xHTML

Supplies Yield

3,000*-page colour Toner Cartridges (CMY), 20,000*-page Photoconductor Unit, 5,000*-page colour High Yield Toner Cartridges (CMY), 4,000*-page Black Toner Cartridge, *Average continuous black or continuous composite CMY declared cartridge yield up to this number of standard pages in accordance with ISO/IEC 19798., Ships with 4,000*-page black and 3,000* page colour Return Program Toner Cartridges

Packaged Size (mm - H x W x D)

570 x 633 x 553 mm

Packaged Size (in. - H x W x D)

22.4 x 24.9 x 21.8 in.

Size (mm - H x W x D)

484 x 440 x 512 mm

Size (in. - H x W x D)

19 x 17.3 x 20.2 in.

Weight (kg)

25.9 kg

Weight (lb.)

57.0 lb.

Acoustics/Noise level (Idle mode)

31 dBA

Acoustics/Noise level (Operating mode)

53 dBA

Product Guarantee

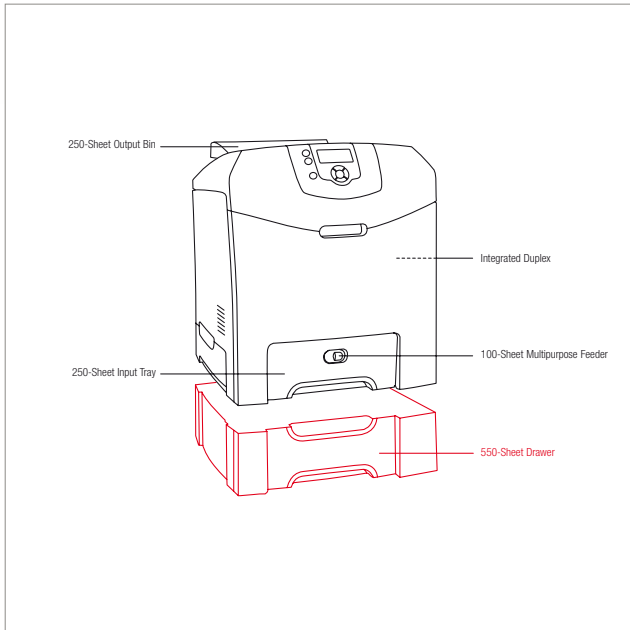
One year on site repair, next business day response time

Product Certifications

Energy Star, CSA, ICES Class B, BSMI Class B, VCCI Class B, FCC Class B, UL 60950 3rd Edition, IEC 320-1, CE Class B, CB IEC 60950, IEC 60825-1, GS (TUV), SEMKO, UL AR, CS, TÜV Rh, C-tick mark Class B, CCC Class B, CISPR 22 Class B, MiC Mark

Specified Operating Environment

Temperature: 16 to 32°C (60 to 90°F), Humidity: 8 to 80% Relative Humidity, Altitude: 0 - 3048 Meters (10,000 Feet)



Paper Handling Standard
 Paper Handling Optional

Part # Model

0034B0161 Lexmark C532dn

002349206 1 Year Renewal Onsite Repair Guarantee

Part # Laser Toner/Print Cartridge

00C5220KS C522, C524, C53x Black Return Program Toner Cartridge
 00C5222KS C522, C524, C53x Black Toner Cartridge
 00C5240CH C524, C532, C534 Cyan High Yield Return Program Toner Cartridge
 00C5220CS C522, C524, C53x Cyan Return Program Toner Cartridge
 00C5242CH C524, C532, C534 Cyan High Yield Toner Cartridge
 00C5222CS C522, C524, C53x Cyan Toner Cartridge
 00C5240MH C524, C532, C534 Magenta High Yield Return Program Toner Cartridge
 00C5220MS C522, C524, C53x Magenta Return Program Toner Cartridge
 00C5242MH C524, C532, C534 Magenta High Yield Toner Cartridge
 00C5222MS C522, C524, C53x Magenta Toner Cartridge
 00C5240YH C524, C532, C534 Yellow High Yield Return Program Toner Cartridge
 00C5220YS C522, C524, C53x Yellow Return Program Toner Cartridge
 00C5242YH C524, C532, C534 Yellow High Yield Toner Cartridge
 00C5222YS C522, C524, C53x Yellow Toner Cartridge
 00C52025X C52x Waste Toner Container (OK images)
 00C53034X C53x 20K Photoconductor Unit 4-Pack
 00C53030X C53x 20K Photoconductor Unit 1-Pack

Part # User Replaceable Parts

0040X3572 C53x Transfer Belt Maintenance Kit
 0040X3569 C52x, C53x Fuser Maintenance Kit LV
 0040X3570 C52x, C53x Fuser Maintenance Kit HV

Part # Paper & Transparencies

0012A5951 Glossy Laser Paper, A4 (200)
 0012A8241 Professional Colour Laser Transparencies, A4
 0012A5950 Glossy Laser Paper, Letter (200)

Part # Paper Handling

0036B1600 C532, C534 550-Sheet Drawer

Part # Flash, SDRAM Memory

0013N1523 128MB DDR-DRAM
 0013N1524 256MB DDR-DRAM
 0013N1526 512MB DDR-DRAM
 001021208 32MB Flash Card
 001021209 64MB Flash Card
 001021243 Japanese Font Card
 001021240 Korean Font Card
 001021241 Simplified Chinese Font Card
 001021242 Traditional Chinese Font Card

Part # Connectivity

001021294 USB (2 Meter) Cable
 0014T0155 Lexmark N4050e 802.11g Wireless Print Server
 0014T0220 MarkNet™ N7020e Gigabit Ethernet Print Server
 0014T0230 MarkNet™ N7000e Fast Ethernet Print Server - USB

Part # Extended Warranties

002348656 1 Year Onsite Repair Extended Guarantee
 002348657 2 Year Onsite Repair Extended Guarantee



Lexmark C534n

Rapid, high-quality colour for your growing business!

Print Technology

Color Laser

Print Speed (A4, Black)

Up to 22 ppm

Print Speed (A4, Colour)

Up to 21 ppm

Print Speed (Letter, Black)

Up to 24 ppm

Print Speed (Letter, Colour)

Up to 22 ppm

Time to First Page (Black)

As fast as < 11 seconds

Time to First Page (Colour)

As fast as < 11 seconds

Print Resolution, Black

1200 x 1200 dpi

4800 Color Quality (2400 x 600 dpi)

Print Resolution, Colour

1200 x 1200 dpi, 4800 Colour Quality (2400 x 600 dpi)

Processor

500 MHz

Memory, Standard

128 MB

Memory, Maximum

640 MB

Expandable Memory Options

Yes

Apple Macintosh Operating Systems Supported

Mac OS X, Mac OS 9.x

Citrix MetaFrame

Citrix, MetaFrame and MetaFrame XP are registered trademarks or trademarks of Citrix Systems, Inc. in the U.S. and other countries. Microsoft Windows 2000 Server running Terminal Services with Citrix MetaFrame XP Presentation Server or Citrix MetaFrame Presentation Server 3.0, Microsoft Windows Server 2003 running Terminal Services with Citrix MetaFrame XP Presentation Server or Citrix MetaFrame Presentation Server 3.0, Microsoft Windows 2000 Server running Terminal Services with Citrix Presentation Server 4.0, Microsoft Windows Server 2003 running Terminal Services with Citrix Presentation Server 4.0

Linux Operating Systems Supported

Red Flag Linux Desktop 4.0, 5.0, Linpus Linux Desktop 9.2, 9.3, Red Hat Enterprise Linux WS 3.0, 4.0, 5.0, SUSE Linux Enterprise Server 8.0, 9.0, 10.0, SUSE Linux Professional 9.1, 9.2, 9.3, Debian GNU/Linux 3.1, 4.0, Linspire Linux 5.0, SUSE Linux 10.0, 10.1, 10.2

Microsoft Windows Operating Systems Supported

2000, NT (4.00/4.00 Server), Me, XP, Server 2003, 98 2nd Edition, XP x64, Server 2003 running Terminal Services, 2000 Server running Terminal Services, Server 2003 x64, Vista

Novell Operating Systems Supported

Open Enterprise Server for Netware with NDS, iPrint or Novell Distributed Print Services (NDPS), NetWare® 3.2, 4.2 (bindery), NetWare 4.2, 5.x and 6.x (NDS), NetWare 5.x, 6.x with iPrint or Novell Distributed Print

Services (NDPS)

UNIX Operating Systems Supported

Sun Solaris SPARC 8, 9, 10, HP-UX 11.00, 11.1, IBM AIX 5.1, 5.2, 5.3, Sun Solaris x86 10

Other Operating Systems Supported

IBM iSeries or IBM AS/400® Systems with TCP/IP with OS/400® V3R1 or later using OS/400 Host Print Transform, Virtually any platform supporting TCP/IP

Paper Handling Standard

250-Sheet Output Bin, 100-Sheet Multipurpose Feeder,

250-Sheet Input Tray

Paper Handling Optional

550-Sheet Drawer

Paper Input Capacity, Standard

350 pages 20 lb or 75 gsm bond

Paper Input Capacity, Maximum

900 pages 20 lb or 75 gsm bond

Paper Output Capacity, Standard

250 pages 20 lb or 75 gsm bond

Paper Output Capacity, Maximum

250 pages 20 lb or 75 gsm bond

Envelope Capacity

10

Finishing Option

No

Number of Paper Inputs, Standard

2

Number of Paper Inputs, Maximum

3

Media Types Supported

Card Stock, Envelopes, Labels, Plain Paper, Transparencies, Refer to the Card Stock & Label Guide

Media Sizes Supported

10 Envelope, 7/3/4 Envelope, 9 Envelope, A4, A5, B5 Envelope, C5 Envelope, DL Envelope, Executive, Folio, JIS-B5, Legal, Letter, Statement, Universal

Connectivity (standard)

Fast Ethernet, One Internal Card Slot, USB Compatible with USB 2.0 Specification

Connectivity (optional)

Lexmark N4050e 802.11g Wireless Print Server (Print Only), Internal MarkNet™ N8020 Gigabit Ethernet, Internal MarkNet™ N8050 802.11g Wireless, External MarkNet™ N7020e Gigabit Ethernet, Internal MarkNet™ N8030 Fiber Fast Ethernet

Network Printing Methods

LPR/LPD, Direct IP (Port 9100), Socket (Raw TCP/IP), IPP (Internet Printing Protocol), HTTP, NDS Queue-based Printing, NDPS/NEPS (Novell Distributed Print Services, Novell Network Enterprise Print Services), Enhanced IP (Port 9400), FTP, TFTP

Network Protocol Support

TCP/IP IPv4, IPX/SPX, AppleTalk™, LexLink (DLC), TCP/IP IPv6

Network Security

SSL* Enabled Embedded Web Server (HTTPS), SNMPv3, TCP/IP port access control, Authenticated and encrypted MarkVision Professional communication, 802.1x Authentication: MDS, MSCHAPv2, LEAP, PEAP, TLS, TTLS, IPsec, *This product includes software developed by the OpenSSL Project for use in the OpenSSL Toolkit.

Printable Area

4.2 mm of the top, bottom, right and left edges (within)

Printable Area

0.167 inches of the top, bottom, right and left edges (within)

Printer Languages (Standard)

PCL 5c Emulation, PCL 6 Emulation, PPDS, PostScript 3 Emulation, PDF 1.5 Emulation, xHTML

Supplies Yield

3,000*-page colour Toner Cartridges (CMY), 20,000-page Photoconductor Unit, 5,000*-page colour High Yield Toner Cartridges (CMY), 4,000*-page Black Toner Cartridge, 8,000*-page Black High Yield Toner Cartridge, *Average continuous black or continuous composite CMY declared cartridge yield up to this number of standard pages in accordance with ISO/IEC 19798., 7,000*-page colour Extra High Yield Toner Cartridges (CMY), Ships with 6,000*-page black and colour starter Return Program Toner Cartridges

Packaged Size (mm - H x W x D)

570 x 633 x 553 mm

Packaged Size (in. - H x W x D)

22.4 x 24.9 x 21.8 in.

Size (mm - H x W x D)

484 x 440 x 512 mm

Size (in. - H x W x D)

19 x 17.3 x 20.2 in.

Weight (kg)

25.9 kg

Weight (lb.)

57.0 lb.

Acoustics/Noise level (Idle mode)

31 dBA

Acoustics/Noise level (Operating mode)

53 dBA

Product Guarantee

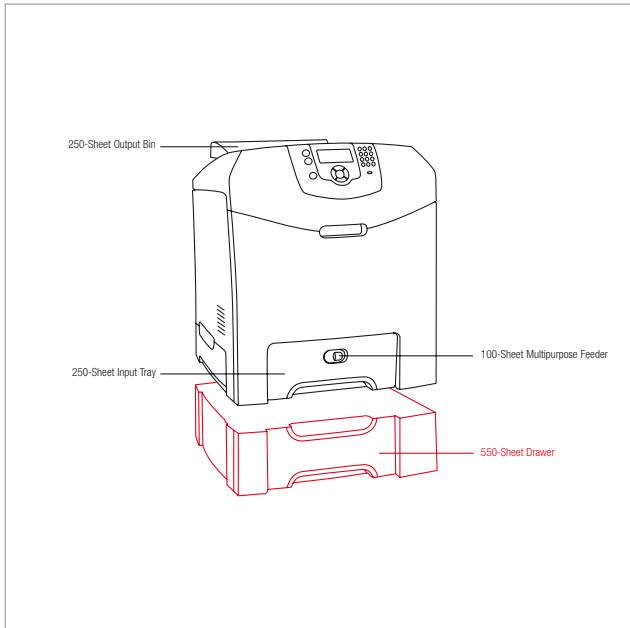
One year on site repair, next business day response time.

Product Certifications

CSA, ICES Class B, BSMI Class B, VCCI Class B, FCC Class B, UL 60950 3rd Edition, IEC 320-1, CE Class B, CB IEC 60950, IEC 60825-1, GS (TUV), SEMKO, UL AR, CS, TÜV Rh, C-tick mark Class B, CCC Class B, CISPIR 22 Class B, MIC Mark

Specified Operating Environment

Temperature: 16 to 32°C (60 to 90°F), Humidity: 8 to 80% Relative Humidity, Altitude: 0 - 3048 Meters (10,000 Feet)



Paper Handling Standard
 Paper Handling Optional

Part #	Model
0034A0061	Lexmark C534n

Part #	Laser Toner/Print Cartridge
00C5240KH	C524, C534 Black High Yield Return Program Toner Cartridge
00C5220KS	C522, C524, C53x Black Return Program Toner Cartridge
00C5242KH	C524, C534 Black High Yield Toner Cartridge
00C5222KS	C522, C524, C53x Black Toner Cartridge
00C5340CX	C534 7K Cyan RP Toner Cartridge
00C5240CX	C524, C532, C534 Cyan High Yield Return Program Toner Cartridge
00C5220CS	C522, C524, C53x Cyan Return Program Toner Cartridge
00C5342CX	C534 7K Cyan Toner Cartridge
00C5242CH	C524, C532, C534 Cyan High Yield Toner Cartridge
00C5222CS	C522, C524, C53x Cyan Toner Cartridge
00C5340MX	C534 7K Magenta RP Toner Cartridge
00C5240MH	C524, C532, C534 Magenta High Yield Return Program Toner Cartridge
00C5220MS	C522, C524, C53x Magenta Return Program Toner Cartridge
00C5342MX	C534 7K Magenta Toner Cartridge
00C5242MH	C524, C532, C534 Magenta High Yield Toner Cartridge
00C5222MS	C522, C524, C53x Magenta Toner Cartridge
00C5340YX	C534 7K Yellow RP Toner Cartridge
00C5240YH	C524, C532, C534 Yellow High Yield Return Program Toner Cartridge
00C5220YS	C522, C524, C53x Yellow Return Program Toner Cartridge
00C5342YX	C534 7K Yellow Toner Cartridge
00C5242YH	C524, C532, C534 Yellow High Yield Toner Cartridge
00C5222YS	C522, C524, C53x Yellow Toner Cartridge
00C52025X	C52x Waste Toner Container (30K images)
00C53034X	C53x 20K Photoconductor Unit 4-Pack
00C53030X	C53x 20K Photoconductor Unit 1-Pack

Part #	Paper & Transparencies
0012A5951	Glossy Laser Paper, A4 (200)
0012A8241	Professional Colour Laser Transparencies, A4
0012A5950	Glossy Laser Paper, Letter (200)

Part #	Paper Handling
0036B1600	C532, C534 550-Sheet Drawer

Part #	Flash, SDRAM Memory
0013N1523	128MB DDR-DRAM
0013N1524	256MB DDR-DRAM
0013N1526	512MB DDR-DRAM
001021208	32MB Flash Card
001021209	64MB Flash Card
001021243	Japanese Font Card
001021240	Korean Font Card
001021241	Simplified Chinese Font Card
001021242	Traditional Chinese Font Card

Part #	Hard disk
0013N1530	40+ GB Hard Disk

Part #	Application Cards / SIMMs
0036B0140	C534 Bar Code Card
0036B0144	C534 Forms Card
0036B0147	Lexmark PrintCryption Card for the Lexmark C534n

Part #	Connectivity
001021294	USB (2 Meter) Cable
001021092	RS-232C Serial Interface Card
001021091	Parallel 1284-B Interface Card
001021231	Parallel (10') Cable
0014T0155	Lexmark W4050e 802.11g Wireless Print Server
0014S0210	MarkNet N8050 802.11g Wireless Print Server
0014S0200	MarkNet N8020 GigaBit Ethernet Print Server
0014S0220	MarkNet N8030 Fiber Ethernet 100BaseFX, 10BaseFL
0014T0220	MarkNet™ N7020e Gigabit Ethernet Print Server

Part #	Extended Warranties
002348626	1 Year Onsite Repair Extended Guarantee
002348627	2 Year Onsite Repair Extended Guarantee
002349203	1 Year Renewal Onsite Repair Guarantee

Part #	User Replaceable Parts
0040X3572	C53x Transfer Belt Maintenance Kit
0040X3569	C52x, C53x Fuser Maintenance Kit LV
0040X3570	C52x, C53x Fuser Maintenance Kit HV



Lexmark C534dn

Rapid, high-quality colour for your growing business!

Print Technology

Color Laser

Print Speed (A4, Black)

Up to 22 ppm

Print Speed (A4, Colour)

Up to 21 ppm

Print Speed (Letter, Black)

Up to 24 ppm

Print Speed (Letter, Colour)

Up to 22 ppm

Time to First Page (Black)

As fast as < 11 seconds

Time to First Page (Colour)

As fast as < 11 seconds

Print Resolution, Black

1200 x 1200 dpi

4800 Color Quality (2400 x 600 dpi)

Print Resolution, Colour

1200 x 1200 dpi, 4800 Colour Quality (2400 x 600 dpi)

Processor

625 MHz

Memory, Standard

256 MB

Memory, Maximum

768 MB

Expandable Memory Options

Yes

Apple Macintosh Operating Systems Supported

Mac OS X, Mac OS 9.x

Citrix MetaFrame

Citrix, MetaFrame and MetaFrame XP are registered trademarks or trademarks of Citrix Systems, Inc. in the U.S. and other countries. Microsoft Windows 2000 Server running Terminal Services with Citrix MetaFrame XP Presentation Server or Citrix MetaFrame Presentation Server 3.0, Microsoft Windows Server 2003 running Terminal Services with Citrix MetaFrame XP Presentation Server or Citrix MetaFrame Presentation Server 3.0, Microsoft Windows 2000 Server running Terminal Services with Citrix Presentation Server 4.0, Microsoft Windows Server 2003 running Terminal Services with Citrix Presentation Server 4.0

Linux Operating Systems Supported

Red Flag Linux Desktop 4.0, 5.0, Linpus Linux Desktop 9.2, 9.3, Red Hat Enterprise Linux WS 3.0, 4.0, 5.0, SUSE Linux Enterprise Server 8.0, 9.0, 10.0, SUSE Linux Professional 9.1, 9.2, 9.3, Debian GNU/Linux 3.1, 4.0, Linspire Linux 5.0, SUSE Linux 10.0, 10.1, 10.2

Microsoft Windows Operating Systems Supported

2000, NT (4.00/4.00 Server), Me, XP, Server 2003, 98 2nd Edition, XP x64, Server 2003 running Terminal Services, 2000 Server running Terminal Services, Server 2003 x64, Vista

Novell Operating Systems Supported

Open Enterprise Server for Netware with NDS, iPrint or Novell Distributed Print Services (NDPS), NetWare® 3.2, 4.2 (bindery), NetWare 4.2, 5.x and 6.x (NDS), NetWare 5.x, 6.x with iPrint or Novell Distributed Print

Services (NDPS)

UNIX Operating Systems Supported

Sun Solaris SPARC 8, 9, 10, HP-UX 11.00, 11.1, IBM AIX 5.1, 5.2, 5.3, Sun Solaris x86 10

Other Operating Systems Supported

IBM iSeries or IBM AS/400® Systems with TCP/IP with OS/400® V3R1 or later using OS/400 Host Print Transform, Virtually any platform supporting TCP/IP

Paper Handling Standard

250-Sheet Output Bin, Integrated Duplex, 100-Sheet Multipurpose Feeder, 250-Sheet Input Tray

Paper Handling Optional

550-Sheet Drawer

Paper Input Capacity, Standard

350 pages 20 lb or 75 gsm bond

Paper Input Capacity, Maximum

900 pages 20 lb or 75 gsm bond

Paper Output Capacity, Standard

250 pages 20 lb or 75 gsm bond

Paper Output Capacity, Maximum

250 pages 20 lb or 75 gsm bond

Envelope Capacity

10

Finishing Option

No

Number of Paper Inputs, Standard

2

Number of Paper Inputs, Maximum

3

Media Types Supported

Card Stock, Envelopes, Labels, Plain Paper, Transparencies, Refer to the Card Stock & Label Guide

Media Sizes Supported

10 Envelope, 7 3/4 Envelope, 9 Envelope, A4, A5, B5 Envelope, C5 Envelope, DL Envelope, Executive, Folio, JIS-B5, Legal, Letter, Statement, Universal

Connectivity (standard)

Fast Ethernet, One Internal Card Slot, USB Compatible with USB 2.0 Specification

Connectivity (optional)

Lexmark N4050e 802.11g Wireless Print Server (Print Only), Internal MarkNet™ N8020 Gigabit Ethernet, Internal MarkNet™ N8050 802.11g Wireless, External MarkNet™ N7020e Gigabit Ethernet, Internal MarkNet™ N8030 Fiber Fast Ethernet

Network Printing Methods

LPR/LPD, Direct IP (Port 9100), Socket (Raw TCP/IP), IPP (Internet Printing Protocol), HTTP, NDS Queue-based Printing, NDPS/NEPS (Novell Distributed Print Services, Novell Network Enterprise Print Services), Enhanced IP (Port 9400), FTP, TFTP

Network Protocol Support

TCP/IP IPv4, IPX/SPX, AppleTalk™, LexLink (DLC), TCP/IP IPv6

Network Security

SSL* Enabled Embedded Web Server (HTTPS), SNMPv3, TCP/IP port access control, Authenticated and encrypted MarkVision Professional communication, 802.1x Authentication: MDS, MSCHAPv2, LEAP, PEAP, TLS, TTLS, IPsec, *This product includes software developed by the OpenSSL Project for use in the OpenSSL Toolkit.

Printable Area

4.2 mm of the top, bottom, right and left edges (within)

Printable Area

0.167 inches of the top, bottom, right and left edges (within)

Printer Languages (Standard)

PCL 5c Emulation, PCL 6 Emulation, PPDS, PostScript 3 Emulation, PDF 1.5 Emulation, xHTML

Supplies Yield

3,000*-page colour Toner Cartridges (CMY), 20,000-page Photoconductor Unit, 5,000*-page colour High Yield Toner Cartridges (CMY), 4,000*-page Black Toner Cartridge, 8,000*-page Black High Yield Toner Cartridge, *Average continuous black or continuous composite CMY declared cartridge yield up to this number of standard pages in accordance with ISO/IEC 19798., 7,000*-page colour Extra High Yield Toner Cartridges (CMY), Ships with 6,000*-page black and colour starter Return Program Toner Cartridges

Packaged Size (mm - H x W x D)

570 x 633 x 553 mm

Packaged Size (in. - H x W x D)

22.4 x 24.9 x 21.8 in.

Size (mm - H x W x D)

484 x 440 x 512 mm

Size (in. - H x W x D)

19 x 17.3 x 20.2 in.

Weight (kg)

26.7 kg

Weight (lb.)

58.75 lb.

Acoustics/Noise level (Idle mode)

31 dBA

Acoustics/Noise level (Operating mode)

53 dBA

Product Guarantee

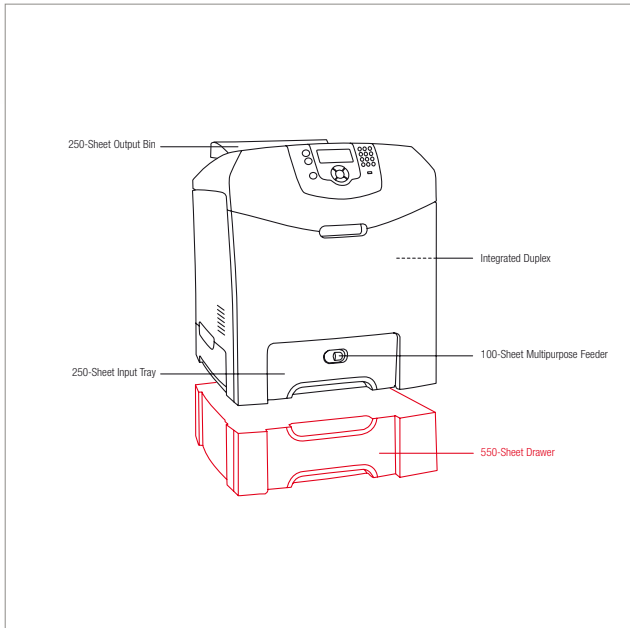
One year on site repair, next business day response time.

Product Certifications

Energy Star, CSA, ICES Class B, BSMI Class B, VCCI Class B, FCC Class B, UL 60950 3rd Edition, IEC 320-1, CE Class B, CB IEC 60950, IEC 60825-1, GS (TÜV), SEMKO, UL AR, CS, TÜV Rh, C-tick mark Class B, CCC Class B, CISPR 22 Class B, MIC Mark

Specified Operating Environment

Temperature: 16 to 32°C (60 to 90°F), Humidity: 8 to 80% Relative Humidity, Altitude: 0 - 3048 Meters (10,000 Feet)



Paper Handling Standard
 Paper Handling Optional

Part #	Model
0034A0161	Lexmark C534dn

Part #	Laser Toner/Print Cartridge
00C5240KH	C524, C534 Black High Yield Return Program Toner Cartridge
00C5220KS	C522, C524, C53x Black Return Program Toner Cartridge
00C5242KH	C524, C534 Black High Yield Toner Cartridge
00C5222KS	C522, C524, C53x Black Toner Cartridge
00C5340CX	C534 7K Cyan RP Toner Cartridge
00C5240CX	C524, C532, C534 Cyan High Yield Return Program Toner Cartridge
00C5220CS	C522, C524, C53x Cyan Return Program Toner Cartridge
00C5342CX	C534 7K Cyan Toner Cartridge
00C5242CH	C524, C532, C534 Cyan High Yield Toner Cartridge
00C5222CS	C522, C524, C53x Cyan Toner Cartridge
00C5340MX	C534 7K Magenta RP Toner Cartridge
00C5240MH	C524, C532, C534 Magenta High Yield Return Program Toner Cartridge
00C5220MS	C522, C524, C53x Magenta Return Program Toner Cartridge
00C5342MX	C534 7K Magenta Toner Cartridge
00C5242MH	C524, C532, C534 Magenta High Yield Toner Cartridge
00C5222MS	C522, C524, C53x Magenta Toner Cartridge
00C5340YX	C534 7K Yellow RP Toner Cartridge
00C5240YH	C524, C532, C534 Yellow High Yield Return Program Toner Cartridge
00C5220YS	C522, C524, C53x Yellow Return Program Toner Cartridge
00C5342YX	C534 7K Yellow Toner Cartridge
00C5242YH	C524, C532, C534 Yellow High Yield Toner Cartridge
00C5222YS	C522, C524, C53x Yellow Toner Cartridge
00C52025X	C52x Waste Toner Container (30K images)
00C53034X	C53x 20K Photoconductor Unit 4-Pack
00C53030X	C53x 20K Photoconductor Unit 1-Pack

Part #	Paper & Transparencies
0012A5951	Glossy Laser Paper, A4 (200)
0012A8241	Professional Colour Laser Transparencies, A4
0012A5950	Glossy Laser Paper, Letter (200)

Part #	Paper Handling
0036B1600	C532, C534 550-Sheet Drawer

Part #	Flash, SDRAM Memory
0013N1523	128MB DDR-DRAM
0013N1524	256MB DDR-DRAM
0013N1526	512MB DDR-DRAM
001021208	32MB Flash Card
001021209	64MB Flash Card
001021243	Japanese Font Card
001021240	Korean Font Card
001021241	Simplified Chinese Font Card
001021242	Traditional Chinese Font Card

Part #	Hard disk
0013N1530	40+ GB Hard Disk

Part #	Application Cards / SIMMs
0036B0140	C534 Bar Code Card
0036B0144	C534 Forms Card
0036B0147	Lexmark PrintCryption Card for the Lexmark C534n

Part #	Connectivity
001021294	USB (2 Meter) Cable
001021092	RS-232C Serial Interface Card
001021091	Parallel 1284-B Interface Card
001021231	Parallel (10') Cable
001410155	Lexmark W4050e 802.11g Wireless Print Server
0014S0210	MarkNet N8050 802.11g Wireless Print Server
0014S0200	MarkNet N8020 GigaBit Ethernet Print Server
0014S0220	MarkNet N8030 Fiber Ethernet 100BaseFX, 10BaseFL
0014T0220	MarkNet™ N7020e Gigabit Ethernet Print Server

Part #	Extended Warranties
002348626	1 Year Onsite Repair Extended Guarantee
002348627	2 Year Onsite Repair Extended Guarantee
002349203	1 Year Renewal Onsite Repair Guarantee

Part #	User Replaceable Parts
0040X3572	C53x Transfer Belt Maintenance Kit
0040X3569	C52x, C53x Fuser Maintenance Kit LV
0040X3570	C52x, C53x Fuser Maintenance Kit HV



Lexmark C534dtn

Rapid, high-quality colour for your growing business!

Print Technology

Color Laser

Print Speed (A4, Black)

Up to 22 ppm

Print Speed (A4, Colour)

Up to 21 ppm

Print Speed (Letter, Black)

Up to 24 ppm

Print Speed (Letter, Colour)

Up to 22 ppm

Time to First Page (Black)

As fast as < 11 seconds

Time to First Page (Colour)

As fast as < 11 seconds

Print Resolution, Black

1200 x 1200 dpi

4800 Color Quality (2400 x 600 dpi)

Print Resolution, Colour

1200 x 1200 dpi, 4800 Colour Quality (2400 x 600 dpi)

Processor

625 MHz

Memory, Standard

256 MB

Memory, Maximum

768 MB

Expandable Memory Options

Yes

Apple Macintosh Operating Systems Supported

Mac OS X, Mac OS 9.x

Citrix MetaFrame

Citrix, MetaFrame and MetaFrame XP are registered trademarks or trademarks of Citrix Systems, Inc. in the U.S. and other countries. Microsoft Windows 2000 Server running Terminal Services with Citrix MetaFrame XP Presentation Server or Citrix MetaFrame Presentation Server 3.0, Microsoft Windows Server 2003 running Terminal Services with Citrix MetaFrame XP Presentation Server or Citrix MetaFrame Presentation Server 3.0, Microsoft Windows 2000 Server running Terminal Services with Citrix Presentation Server 4.0, Microsoft Windows Server 2003 running Terminal Services with Citrix Presentation Server 4.0

Linux Operating Systems Supported

Red Flag Linux Desktop 4.0, 5.0, Linpus Linux Desktop 9.2, 9.3, Red Hat Enterprise Linux WS 3.0, 4.0, 5.0, SUSE Linux Enterprise Server 8.0, 9.0, 10.0, SUSE Linux Professional 9.1, 9.2, 9.3, Debian GNU/Linux 3.1, 4.0, Linspire Linux 5.0, SUSE Linux 10.0, 10.1, 10.2

Microsoft Windows Operating Systems Supported

2000, NT (4.00/4.00 Server), Me, XP, Server 2003, 98 2nd Edition, XP x64, Server 2003 running Terminal Services, 2000 Server running Terminal Services, Server 2003 x64, Vista

Novell Operating Systems Supported

Open Enterprise Server for Netware with NDS, iPrint or Novell Distributed Print Services (NDPS), NetWare® 3.2, 4.2 (bindery), NetWare 4.2, 5.x and 6.x (NDS), NetWare 5.x, 6.x with iPrint or Novell Distributed Print

Services (NDPS)

UNIX Operating Systems Supported

Sun Solaris SPARC 8, 9, 10, HP-UX 11.00, 11.1, IBM AIX 5.1, 5.2, 5.3, Sun Solaris x86 10

Other Operating Systems Supported

IBM iSeries or IBM AS/400® Systems with TCP/IP with OS/400® V3R1 or later using OS/400 Host Print Transform, Virtually any platform supporting TCP/IP

Paper Handling Standard

250-Sheet Output Bin, Integrated Duplex, 100-Sheet Multipurpose Feeder, 250-Sheet Input Tray, 550-Sheet Drawer

Paper Input Capacity, Standard

900 pages 20 lb or 75 gsm bond

Paper Input Capacity, Maximum

900 pages 20 lb or 75 gsm bond

Paper Output Capacity, Standard

250 pages 20 lb or 75 gsm bond

Paper Output Capacity, Maximum

250 pages 20 lb or 75 gsm bond

Envelope Capacity

10

Finishing Option

No

Number of Paper Inputs, Standard

2

Number of Paper Inputs, Maximum

3

Media Types Supported

Card Stock, Envelopes, Labels, Plain Paper, Transparencies, Refer to the Card Stock & Label Guide

Media Sizes Supported

10 Envelope, 7 3/4 Envelope, 9 Envelope, A4, A5, B5 Envelope, C5 Envelope, DL Envelope, Executive, Folio, JIS-B5, Legal, Letter, Statement, Universal

Connectivity (standard)

Fast Ethernet, One Internal Card Slot, USB Compatible with USB 2.0 Specification

Connectivity (optional)

Lexmark N4050e 802.11g Wireless Print Server (Print Only), Internal MarkNet™ N8020 Gigabit Ethernet, Internal MarkNet™ N8050 802.11g Wireless, External MarkNet™ N7020e Gigabit Ethernet, Internal MarkNet™ N8030 Fiber Fast Ethernet

Network Printing Methods

LPR/LPD, Direct IP (Port 9100), Socket (Raw TCP/IP), IPP (Internet Printing Protocol), HTTP, NDS Queue-based Printing, NDPS/NEPS (Novell Distributed Print Services, Novell Netware Enterprise Print Services), Enhanced IP (Port 9400), FTP, TFTP

Network Protocol Support

TCP/IP IPv4, IPX/SPX, AppleTalk™, LexLink (DLCL), TCP/IP IPv6

Network Security

SSL* Enabled Embedded Web Server (HTTPS), SNMPv3, TCP/IP port access control, Authenticated and encrypted MarkVision Professional communication, 802.1x Authentication: MDS, MSCHAPv2, LEAP, PEAP, TLS, TTLS, IPsec, *This product includes software developed by the OpenSSL Project for use in the OpenSSL Toolkit.

Printable Area

4.2 mm of the top, bottom, right and left edges (within)

Printable Area

0.167 inches of the top, bottom, right and left edges (within)

Printer Languages (Standard)

PCL 5c Emulation, PCL 6 Emulation, PPDs, PostScript 3 Emulation, PDF 1.5 Emulation, xHTML

Supplies Yield

3,000*-page colour Toner Cartridges (CMY), 20,000-page Photoconductor Unit, 5,000*-page colour High Yield Toner Cartridges (CMY), 4,000*-page Black Toner Cartridge, 8,000*-page Black High Yield Toner Cartridge, *Average continuous black or continuous composite CMY declared cartridge yield up to this number of standard pages in accordance with ISO/IEC 19798., 7,000*-page colour Extra High Yield Toner Cartridges (CMY), Ships with 6,000*-page black and colour starter Return Program Toner Cartridges

Packaged Size (mm - H x W x D)

775 x 644 x 565 mm

Packaged Size (in. - H x W x D)

30.5 x 25.35 x 22.24 in.

Size (mm - H x W x D)

610 x 440 x 558 mm

Size (in. - H x W x D)

24 x 17.3 x 22 in.

Weight (kg)

29.1 kg

Weight (lb.)

64 lb.

Acoustics/Noise level (Idle mode)

31 dBA

Acoustics/Noise level (Operating mode)

53 dBA

Product Guarantee

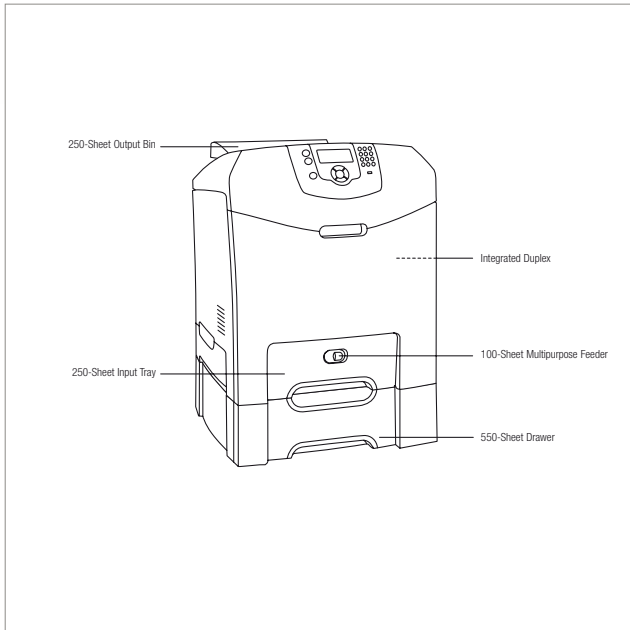
One year on site repair, next business day response time.

Product Certifications

Energy Star, CSA, ICES Class B, BSMI Class B, VCCI Class B, FCC Class B, UL 60950 3rd Edition, IEC 320-1, CE Class B, CB IEC 60950, IEC 60825-1, GS (TUV), SEMKO, UL AR, CS, TÜV Rh, C-tick mark Class B, CCC Class B, CISPIR 22 Class B, MIC Mark

Specified Operating Environment

Temperature: 16 to 32°C (60 to 90°F), Humidity: 8 to 80% Relative Humidity, Altitude: 0 - 3048 Meters (10,000 Feet)



■ Paper Handling Standard

Part #	Model
0034A0211	Lexmark C534dtn

Part #	Laser Toner/Print Cartridge
00C5240KH	C524, C534 Black High Yield Return Program Toner Cartridge
00C5220KS	C522, C524, C53x Black Return Program Toner Cartridge
00C5242KH	C524, C534 Black High Yield Toner Cartridge
00C5222KS	C522, C524, C53x Black Toner Cartridge
00C5340CX	C534 7K Cyan RP Toner Cartridge
00C5240CH	C524, C532, C534 Cyan High Yield Return Program Toner Cartridge
00C5220CS	C522, C524, C53x Cyan Return Program Toner Cartridge
00C5342CX	C534 7K Cyan Toner Cartridge
00C5242CH	C524, C532, C534 Cyan High Yield Toner Cartridge
00C5222CS	C522, C524, C53x Cyan Toner Cartridge
00C5340MX	C534 7K Magenta RP Toner Cartridge
00C5240MH	C524, C532, C534 Magenta High Yield Return Program Toner Cartridge
00C5220MS	C522, C524, C53x Magenta Return Program Toner Cartridge
00C5342MX	C534 7K Magenta Toner Cartridge
00C5242MH	C524, C532, C534 Magenta High Yield Toner Cartridge
00C5222MS	C522, C524, C53x Magenta Toner Cartridge
00C5340YX	C534 7K Yellow RP Toner Cartridge
00C5240YH	C524, C532, C534 Yellow High Yield Return Program Toner Cartridge
00C5220YS	C522, C524, C53x Yellow Return Program Toner Cartridge
00C5342YX	C534 7K Yellow Toner Cartridge
00C5242YH	C524, C532, C534 Yellow High Yield Toner Cartridge
00C5222YS	C522, C524, C53x Yellow Toner Cartridge
00C52025X	C52x Waste Toner Container (30K images)
00C53034X	C53x 20K Photoconductor Unit 4-Pack
00C53030X	C53x 20K Photoconductor Unit 1-Pack

Part #	Paper & Transparencies
0012A5951	Glossy Laser Paper, A4 (200)
0012A8241	Professional Colour Laser Transparencies, A4
0012A5950	Glossy Laser Paper, Letter (200)

Part #	Flash, SDRAM Memory
0013N1523	128MB DDR-DRAM
0013N1524	256MB DDR-DRAM
0013N1526	512MB DDR-DRAM
001021208	32MB Flash Card
001021209	64MB Flash Card
001021243	Japanese Font Card
001021240	Korean Font Card
001021241	Simplified Chinese Font Card
001021242	Traditional Chinese Font Card

Part #	Hard disk
0013N1530	40+ GB Hard Disk

Part #	Application Cards / SIMMS
0036B0140	C534 Bar Code Card

0036B0144	C534 Forms Card
0036B0147	Lexmark Print/Cryption Card for the Lexmark C534n

Part #	Connectivity
001021294	USB (2 Meter) Cable
001021092	RS-232C Serial Interface Card
001021091	Parallel 1284-B Interface Card
001021231	Parallel (10") Cable
0014T0155	Lexmark N4050e 802.11g Wireless Print Server
0014S0210	MarkNet N8050 802.11g Wireless Print Server
0014S0200	MarkNet N8020 Gigabit Ethernet Print Server
0014S0220	MarkNet N8030 Fiber Ethernet 100BaseFX, 10BaseFL
0014T0220	MarkNet™ N7020e Gigabit Ethernet Print Server

Part #	Extended Warranties
002348626	1 Year Onsite Repair Extended Guarantee
002348627	2 Year Onsite Repair Extended Guarantee
002349203	1 Year Renewal Onsite Repair Guarantee

Part #	User Replaceable Parts
0040X3572	C53x Transfer Belt Maintenance Kit
0040X3569	C52x, C53x Fuser Maintenance Kit LV
0040X3570	C52x, C53x Fuser Maintenance Kit HV

Lexmark C780n



The high-performance answer to your high-volume colour needs

Print Technology

Color Laser

Print Speed (A4, Black)

Up to 33 ppm

Print Speed (A4, Colour)

Up to 29 ppm

Print Speed (Letter, Black)

Up to 35 ppm

Print Speed (Letter, Colour)

Up to 31 ppm

Time to First Page (Black)

As fast as 11 seconds

Time to First Page (Colour)

As fast as 13 seconds

Print Resolution, Black

1200 x 1200 dpi

4800 Color Quality (2400 x 600 dpi)

Print Resolution, Colour

1200 x 1200 dpi, 4800 Colour Quality (2400 x 600 dpi)

Processor

800 / 133 MHz

Memory, Standard

256 MB

Memory, Maximum

768 MB

Expandable Memory Options

Yes

Apple Macintosh Operating Systems Supported

Mac OS X, Mac OS 9.x

Citrix MetaFrame

Citrix, MetaFrame and MetaFrame XP are registered trademarks or trademarks of Citrix Systems, Inc. in the U.S. and other countries. Microsoft Windows 2000 Server running Terminal Services with Citrix MetaFrame XP Presentation Server or Citrix MetaFrame Presentation Server 3.0, Microsoft Windows Server 2003 running Terminal Services with Citrix MetaFrame XP Presentation Server or Citrix MetaFrame Presentation Server 3.0, Microsoft Windows 2000 Server running Terminal Services with Citrix Presentation Server 4.0, Microsoft Windows Server 2003 running Terminal Services with Citrix Presentation Server 4.0, Microsoft Windows Server 2003 x64 running Terminal Services with Citrix Presentation Server 4.0

Linux Operating Systems Supported

Red Flag Linux Desktop 4.0, 5.0, Linpus Linux Desktop 9.2, 9.3, Red Hat Enterprise Linux WS 3.0, 4.0, 5.0, SUSE Linux Enterprise Server 8.0, 9.0, 10.0, Debian GNU/Linux 3.1, 4.0, Linspire Linux 5.0, SUSE Linux 10.0, 10.1, 10.2

Microsoft Windows Operating Systems Supported

2000, NT (4.00/4.00 Server), XP, Server 2003, XP x64, Server 2003 running Terminal Services, 2000 Server running Terminal Services, Server 2003 x64, Server 2003 x64 running Terminal Services, Vista, Vista x64

Novell Operating Systems Supported

Open Enterprise Server for Netware with NDS, iPrint or Novell Distributed Print Services (NDPS), NetWare®

3.2, 4.2 (bindery), NetWare 4.2, 5.x and 6.x (NDS), NetWare 5.x, 6.x with iPrint or Novell Distributed Print Services (NDPS)

UNIX Operating Systems Supported

Sun Solaris SPARC 8, 9, 10, HP-UX 11.00, 11.1, IBM AIX 5.1, 5.2, 5.3, Sun Solaris x86 10

Other Operating Systems Supported

IBM iSeries or IBM AS/400® Systems with TCP/IP with OS/400® V3R1 or later using OS/400 Host Print Transform, Virtually any platform supporting TCP/IP

Paper Handling Standard

250-Sheet Output Bin, 500-Sheet Input Tray, 100-Sheet Multipurpose Feeder

Paper Handling Optional

Duplex Unit, 500-Sheet Drawer

Paper Input Capacity, Standard

600 pages 20 lb or 75 gsm bond

Paper Input Capacity, Maximum

1100 pages 20 lb or 75 gsm bond

Paper Output Capacity, Standard

250 pages 20 lb or 75 gsm bond

Paper Output Capacity, Maximum

250 pages 20 lb or 75 gsm bond

Envelope Capacity

10

Finishing Option

No

Number of Paper Inputs, Standard

2

Number of Paper Inputs, Maximum

3

Media Types Supported

Card Stock, Envelopes, Glossy paper, Labels, Plain Paper, Transparencies, Refer to the Card Stock & Label Guide

Media Sizes Supported

10 Envelope, 7 3/4 Envelope, 9 Envelope, A4, A5, B5 Envelope, C5 Envelope, DL Envelope, Executive, Folio, JIS-B5, Legal, Letter, Statement, Universal

Connectivity (standard)

Fast Ethernet, One Internal Card Slot, USB Compatible with USB 2.0 Specification, USB Direct interface on Operator Panel

Connectivity (optional)

Lexmark N4050e 802.11g Wireless Print Server (Print Only), Internal MarkNet™ N8020 Gigabit Ethernet, Internal MarkNet™ N8050 802.11g Wireless, External MarkNet™ N7020e Gigabit Ethernet, Internal MarkNet™ N8030 Fiber Fast Ethernet

Network Printing Methods

LPR/LPD, Direct IP (Port 9100), Socket (Raw TCP/IP), IPP (Internet Printing Protocol), HTTP, NDS Queue-based Printing, NDPS/NEPS (Novell Distributed Print Services), Novell Network Enterprise Print Services, Enhanced IP (Port 9400)

Network Protocol Support

TCP/IP IPv4, IPX/SPX, AppleTalk™, LexLink (DLC), TCP/IP IPv6

Network Security

SSL* Enabled Embedded Web Server (HTTPS), SNMPv3, TCP/IP port access control, 802.1x Authentication: MD5, MSCHAPv2, LEAP, PEAP, TLS, TTLS, IPsec, *This product includes software developed by the OpenSSL Project for use in the OpenSSL Toolkit.

Printable Area

4.2 mm of the top, bottom, right and left edges (within)

Printable Area

0.167 inches of the top, bottom, right and left edges (within)

Printer Languages (Standard)

PCL 5c Emulation, PCL 6 Emulation, PPDS, PostScript 3 Emulation, PDF 1.5 Emulation, xHTML, Direct Image

Supplies Yield

Ships with 6,000*-page black and colour Return Program Print Cartridges, 6,000*-page (CMYK) Print Cartridges, 10,000*-page (CMYK) High Yield Print Cartridges, *Average continuous black or continuous composite CMY declared cartridge yield up to this number of standard pages in accordance with ISO/IEC 19798.

Packaged Size (mm - H x W x D)

810 x 795 x 650 mm

Packaged Size (in. - H x W x D)

31.9 x 31.3 x 25.6 in.

Size (mm - H x W x D)

528 x 604.5 x 470 mm

Size (in. - H x W x D)

20.8 x 23.8 x 18.5 in.

Weight (kg)

47.7 kg

Weight (lb.)

105 lb.

Acoustics/Noise level (Idle mode)

30 dBA

Acoustics/Noise level (Operating mode)

52 dBA

Product Guarantee

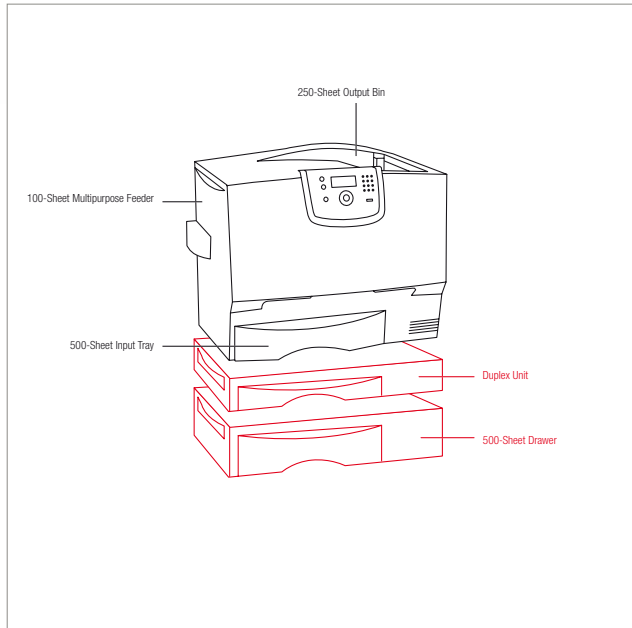
One Year Onsite Repair

Product Certifications

Energy Star, CSA, ICES Class A, BSMI Class A, VCCI Class A, FCC Class A, UL 60950-1, IEC 60320-1, CE Class A, CB IEC 60950-1, IEC 60825-1, GS (TUV), SEMKO, UL AR, CS, TÜV Rh, C-tick mark Class A, CCC Class A

Specified Operating Environment

Temperature: 16 to 32°C (60 to 90°F), Humidity: 8 to 80% Relative Humidity, Altitude: 0 - 3048 Meters (10,000 Feet)



Paper Handling Standard
 Paper Handling Optional

Part #	Model
0010Z0250	Lexmark C780n

Part #	Laser Toner/Print Cartridge
00C780H1KG	C780, C782 Black High Yield Return Program Print Cartridge
00C780A1KG	C780, C782 Black Return Program Print Cartridge
00C780H2KG	C780, C782 Black High Yield Print Cartridge
00C780A2KG	C780, C782 Black Print Cartridge
00C780H1CG	C780, C782 Cyan High Yield Return Program Print Cartridge
00C780A1CG	C780, C782 Cyan Return Program Print Cartridge
00C780H2CG	C780, C782 Cyan High Yield Print Cartridge
00C780A2CG	C780, C782 Cyan Print Cartridge
00C780H1MG	C780, C782 Magenta High Yield Return Program Print Cartridge
00C780A1MGC	C780, C782 Magenta Return Program Print Cartridge
00C780H2MG	C780, C782 Magenta High Yield Print Cartridge
00C780A2MGC	C780, C782 Magenta Print Cartridge
00C780H1YG	C780, C782 Yellow High Yield Return Program Print Cartridge
00C780A1YG	C780, C782 Yellow Return Program Print Cartridge
00C780H2YG	C780, C782 Yellow High Yield Print Cartridge
00C780A2YG	C780, C782 Yellow Print Cartridge
0010B3100	C75X, C76X, C77X Waste Toner Container

Part #	Paper & Transparencies
0012A5951	Glossy Laser Paper, A4 (200)
0012A8241	Professional Colour Laser Transparencies, A4
0012A5950	Glossy Laser Paper, Letter (200)

Part #	Paper Handling
0020B2300	C770, C772, C780, C782 500-Sheet Drawer
0020B2373	C770, C772, C780, C782 500-Sheet Tray
0020B2400	C770, C772, C780, C782 Duplex Unit

Part #	Furniture
0016N1708	C76X, C77X Printer Stand

Part #	Flash, SDRAM Memory
0013N1523	128MB DDR-DRAM
0013N1524	256MB DDR-DRAM
0013N1526	512MB DDR-DRAM
001021208	32MB Flash Card
001021209	64MB Flash Card
001021243	Japanese Font Card
001021240	Korean Font Card
001021241	Simplified Chinese Font Card
001021242	Traditional Chinese Font Card

Part #	Hard disk
0013N1530	40+ GB Hard Disk

Part #	Application Cards / SIMMs
0010Z0400	C780, C782 Bar Code Card

0010Z0401	C780, C782 Card for IPDS and SCS/TNE
0010Z0402	C780, C782 Forms Card
0010Z0403	Lexmark Print/Cryption Card for the Lexmark C780, C782
0010Z0404	C780, C782 Card for PRESCRIBE Emulation

Part #	Connectivity
001021294	USB (2 Meter) Cable
001021092	RS-232C Serial Interface Card
0014T0155	Lexmark N4050e 802.11g Wireless Print Server
0014S0210	MarkNet N8050 802.11g Wireless Print Server
0014S0200	MarkNet N8020 GigaBit Ethernet Print Server
0014S0220	MarkNet N8030 Fiber Ethernet 100BaseFX, 10BaseFL
0014T0220	MarkNet™ N7020e Gigabit Ethernet Print Server
001021231	Parallel (10') Cable
001021091	Parallel 1284-B Interface Card

Part #	Extended Warranties
002349392	1 Year OnSite Repair Extended Guarantee
002349393	2 Year OnSite Repair Extended Guarantee
002349394	3 Year OnSite Repair Extended Guarantee
002349396	1 Year Renewal OnSite Repair Extended Guarantee

Part #	User Replaceable Parts
0040X1832	C780, C782 Fuser Maintenance Kit 220V
0040X1826	C780, C782 Image Transfer Unit Maintenance Kit



Lexmark C780dn

High-volume colour printing plus
paper-saving duplex

Print Technology

Color Laser

Print Speed (A4, Black)

Up to 33 ppm

Print Speed (A4, Colour)

Up to 29 ppm

Print Speed (Letter, Black)

Up to 35 ppm

Print Speed (Letter, Colour)

Up to 31 ppm

Time to First Page (Black)

As fast as 11 seconds

Time to First Page (Colour)

As fast as 13 seconds

Print Resolution, Black

1200 x 1200 dpi

4800 Color Quality (2400 x 600 dpi)

Print Resolution, Colour

1200 x 1200 dpi, 4800 Colour Quality (2400 x 600 dpi)

Processor

800 / 133 MHz

Memory, Standard

256 MB

Memory, Maximum

768 MB

Expandable Memory Options

Yes

Apple Macintosh Operating Systems Supported

Mac OS X, Mac OS 9.x

Citrix MetaFrame

Citrix, MetaFrame and MetaFrame XP are registered trademarks or trademarks of Citrix Systems, Inc. in the U.S. and other countries. Microsoft Windows 2000 Server running Terminal Services with Citrix MetaFrame XP Presentation Server or Citrix MetaFrame Presentation Server 3.0, Microsoft Windows Server 2003 running Terminal Services with Citrix MetaFrame XP Presentation Server or Citrix MetaFrame Presentation Server 3.0, Microsoft Windows 2000 Server running Terminal Services with Citrix Presentation Server 4.0, Microsoft Windows Server 2003 running Terminal Services with Citrix Presentation Server 4.0, Microsoft Windows Server 2003 x64 running Terminal Services with Citrix Presentation Server 4.0

Linux Operating Systems Supported

Red Flag Linux Desktop 4.0, 5.0, Linpus Linux Desktop 9.2, 9.3, Red Hat Enterprise Linux WS 3.0, 4.0, 5.0, SUSE Linux Enterprise Server 8.0, 9.0, 10.0, Debian GNU/Linux 3.1, 4.0, Linspire Linux 5.0, SUSE Linux 10.0, 10.1, 10.2

Microsoft Windows Operating Systems Supported

2000, NT (4.00/4.00 Server), XP, Server 2003, XP x64, Server 2003 running Terminal Services, 2000 Server running Terminal Services, Server 2003 x64, Server 2003 x64 running Terminal Services, Vista, Vista x64

Novell Operating Systems Supported

Open Enterprise Server for Netware with NDS, iPrint or Novell Distributed Print Services (NDPS), NetWare®

3.2, 4.2 (bindery), NetWare 4.2, 5.x and 6.x (NDS), NetWare 5.x, 6.x with iPrint or Novell Distributed Print Services (NDPS)

UNIX Operating Systems Supported

Sun Solaris SPARC 8, 9, 10, HP-UX 11.00, 11.1, IBM AIX 5.1, 5.2, 5.3, Sun Solaris x86 10

Other Operating Systems Supported

IBM iSeries or IBM AS/400® Systems with TCP/IP with OS/400® V3R1 or later using OS/400 Host Print Transform, Virtually any platform supporting TCP/IP

Paper Handling Standard

250-Sheet Output Bin, 500-Sheet Input Tray, Duplex Unit, 100-Sheet Multipurpose Feeder

Paper Handling Optional

500-Sheet Drawer

Paper Input Capacity, Standard

600 pages 20 lb or 75 gsm bond

Paper Input Capacity, Maximum

1100 pages 20 lb or 75 gsm bond

Paper Output Capacity, Standard

250 pages 20 lb or 75 gsm bond

Paper Output Capacity, Maximum

250 pages 20 lb or 75 gsm bond

Envelope Capacity

10

Finishing Option

No

Number of Paper Inputs, Standard

2

Number of Paper Inputs, Maximum

3

Media Types Supported

Card Stock, Envelopes, Glossy paper, Labels, Plain Paper, Transparencies, Refer to the Card Stock & Label Guide

Media Sizes Supported

10 Envelope, 7 3/4 Envelope, 9 Envelope, A4, A5, B5 Envelope, C5 Envelope, DL Envelope, Executive, Folio, JIS-B5, Legal, Letter, Statement, Universal

Connectivity (standard)

Fast Ethernet, One Internal Card Slot, USB Compatible with USB 2.0 Specification, USB Direct interface on Operator Panel

Connectivity (optional)

Lexmark N4050e 802.11g Wireless Print Server (Print Only), Internal MarkNet™ N8020 Gigabit Ethernet, Internal MarkNet™ N8050 802.11g Wireless, External MarkNet™ N7020e Gigabit Ethernet, Internal MarkNet™ N8030 Fiber Fast Ethernet

Network Printing Methods

LPR/LPD, Direct IP (Port 9100), Socket (Raw TCP/IP), IPP (Internet Printing Protocol), HTTP, NDS Queue-based Printing, NDPS/NEPS (Novell Distributed Print Services), Novell Network Enterprise Print Services, Enhanced IP (Port 9400)

Network Protocol Support

TCP/IP IPv4, IPX/SPX, AppleTalk™, LexLink (DLC), TCP/IP IPv6

Network Security

SSL* Enabled Embedded Web Server (HTTPS), SNMPv3, TCP/IP port access control, 802.1x Authentication: MD5, MSCHAPv2, LEAP, PEAP, TLS, TTLS, IPsec, *This product includes software developed by the OpenSSL Project for use in the OpenSSL Toolkit.

Printable Area

4.2 mm of the top, bottom, right and left edges (within)

Printable Area

0.167 inches of the top, bottom, right and left edges (within)

Printer Languages (Standard)

PCL 5c Emulation, PCL 6 Emulation, PPDS, PostScript 3 Emulation, PDF 1.5 Emulation, xHTML, Direct Image

Supplies Yield

Ships with 6,000*-page black and colour Return Program Print Cartridges, 6,000*-page (CMYK) Print Cartridges, 10,000*-page (CMYK) High Yield Print Cartridges, *Average continuous black or continuous composite CMY declared cartridge yield up to this number of standard pages in accordance with ISO/IEC 19798.

Packaged Size (mm - H x W x D)

945 x 1100 x 725 mm

Packaged Size (in. - H x W x D)

37.2 x 43.3 x 28.5 in.

Size (mm - H x W x D)

617.2 x 604.5 x 470 mm

Size (in. - H x W x D)

24.3 x 23.8 x 18.5 in.

Weight (kg)

53.8 kg

Weight (lb.)

118.5 lb.

Acoustics/Noise level (Idle mode)

30 dBA

Acoustics/Noise level (Operating mode)

52 dBA

Product Guarantee

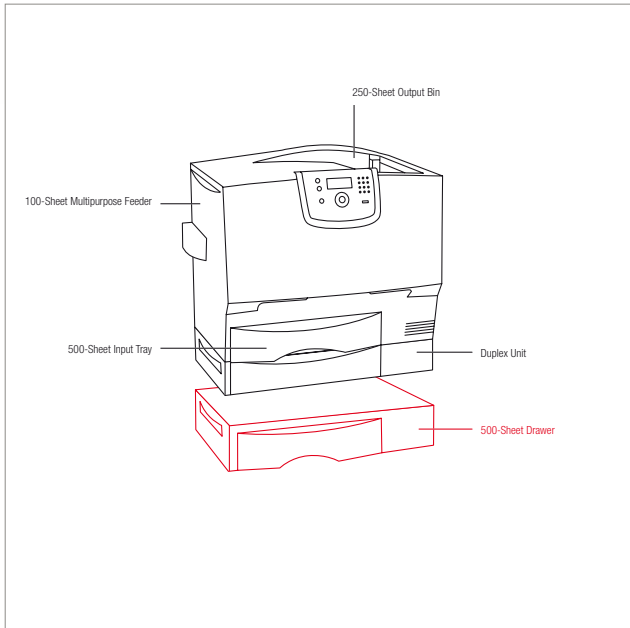
One Year Onsite Repair

Product Certifications

Energy Star, CSA, ICES Class A, BSMI Class A, VCCI Class A, FCC Class A, UL 60950-1, IEC 60320-1, CE Class A, CB IEC 60950-1, IEC 60825-1, GS (TUV), SEMKO, UL AR, CS, TÜV Rh, C-tick mark Class A, CCC Class A

Specified Operating Environment

Temperature: 16 to 32°C (60 to 90°F), Humidity: 8 to 80% Relative Humidity, Altitude: 0 - 3048 Meters (10,000 Feet)



Paper Handling Standard
 Paper Handling Optional

Part # Model
0010Z0251 Lexmark C780dn

Part # Laser Toner/Print Cartridge
 00C780H1KG C780, C782 Black High Yield Return Program Print Cartridge
 00C780A1KG C780, C782 Black Return Program Print Cartridge
 00C780H2KG C780, C782 Black High Yield Print Cartridge
 00C780A2KG C780, C782 Black Print Cartridge
 00C780H1CG C780, C782 Cyan High Yield Return Program Print Cartridge
 00C780A1CG C780, C782 Cyan Return Program Print Cartridge
 00C780H2CG C780, C782 Cyan High Yield Print Cartridge
 00C780A2CG C780, C782 Cyan Print Cartridge
 00C780H1MG C780, C782 Magenta High Yield Return Program Print Cartridge
 00C780A1MGC780, C782 Magenta Return Program Print Cartridge
 00C780H2MG C780, C782 Magenta High Yield Print Cartridge
 00C780A2MGC780, C782 Magenta Print Cartridge
 00C780H1YG C780, C782 Yellow High Yield Return Program Print Cartridge
 00C780A1YG C780, C782 Yellow Return Program Print Cartridge
 00C780H2YG C780, C782 Yellow High Yield Print Cartridge
 00C780A2YG C780, C782 Yellow Print Cartridge
 0010B3100 C75X, C76X, C77X Waste Toner Container

Part # Paper & Transparencies
 0012A5951 Glossy Laser Paper, A4 (200)
 0012A8241 Professional Colour Laser Transparencies, A4
 0012A5950 Glossy Laser Paper, Letter (200)

Part # Paper Handling
 0020B2300 C770, C772, C780, C782 500-Sheet Drawer
 0020B2373 C770, C772, C780, C782 500-Sheet Tray

Part # Furniture
0016N1708 C76x, C77x Printer Stand

Part # Flash, SDRAM Memory
 0013N1523 128MB DDR-DRAM
 0013N1524 256MB DDR-DRAM
 0013N1526 512MB DDR-DRAM
 001021208 32MB Flash Card
 001021209 64MB Flash Card
 001021243 Japanese Font Card
 001021240 Korean Font Card
 001021241 Simplified Chinese Font Card
 001021242 Traditional Chinese Font Card

Part # Hard disk
0013N1530 40+ GB Hard Disk

Part # Application Cards / SIMMS
0010Z0400 C780, C782 Bar Code Card

0010Z0401 C780, C782 Card for IPDS and SCS/TNE
 0010Z0402 C780, C782 Forms Card
 0010Z0403 Lexmark Print/Cryption Card for the Lexmark C780, C782
 0010Z0404 C780, C782 Card for PRESCRIBE Emulation

Part # Connectivity
 001021294 USB (2 Meter) Cable
 001021092 RS-232C Serial Interface Card
 0014T0155 Lexmark N4050e 802.11g Wireless Print Server
 0014S0210 MarkNet N8050 802.11g Wireless Print Server
 0014S0200 MarkNet N8020 GigaBit Ethernet Print Server
 0014S0220 MarkNet N8030 Fiber Ethernet 100BaseFX, 10BaseFL
 0014T0220 MarkNet™ N7020e Gigabit Ethernet Print Server
 001021231 Parallel (10') Cable
 001021091 Parallel 1284-B Interface Card

Part # Extended Warranties
 002349392 1 Year OnSite Repair Extended Guarantee
 002349393 2 Year OnSite Repair Extended Guarantee
 002349394 3 Year OnSite Repair Extended Guarantee
 002349396 1 Year Renewal OnSite Repair Extended Guarantee

Part # User Replaceable Parts
 0040X1832 C780, C782 Fuser Maintenance Kit 220V
 0040X1826 C780, C782 Image Transfer Unit Maintenance Kit



Lexmark C780dtn

High-volume colour printing plus duplex and extra input drawer

Print Technology

Color Laser

Print Speed (A4, Black)

Up to 33 ppm

Print Speed (A4, Colour)

Up to 29 ppm

Print Speed (Letter, Black)

Up to 35 ppm

Print Speed (Letter, Colour)

Up to 31 ppm

Time to First Page (Black)

As fast as 11 seconds

Time to First Page (Colour)

As fast as 13 seconds

Print Resolution, Black

1200 x 1200 dpi

4800 Color Quality (2400 x 600 dpi)

Print Resolution, Colour

1200 x 1200 dpi, 4800 Colour Quality (2400 x 600 dpi)

Processor

800 / 133 MHz

Memory, Standard

256 MB

Memory, Maximum

768 MB

Expandable Memory Options

Yes

Apple Macintosh Operating Systems Supported

Mac OS X, Mac OS 9.x

Citrix MetaFrame

Citrix, MetaFrame and MetaFrame XP are registered trademarks or trademarks of Citrix Systems, Inc. in the U.S. and other countries. Microsoft Windows 2000 Server running Terminal Services with Citrix MetaFrame XP Presentation Server or Citrix MetaFrame Presentation Server 3.0, Microsoft Windows Server 2003 running Terminal Services with Citrix MetaFrame XP Presentation Server or Citrix MetaFrame Presentation Server 3.0, Microsoft Windows 2000 Server running Terminal Services with Citrix Presentation Server 4.0, Microsoft Windows Server 2003 running Terminal Services with Citrix Presentation Server 4.0, Microsoft Windows Server 2003 x64 running Terminal Services with Citrix Presentation Server 4.0

Linux Operating Systems Supported

Red Flag Linux Desktop 4.0, 5.0, Linpus Linux Desktop 9.2, 9.3, Red Hat Enterprise Linux WS 3.0, 4.0, 5.0, SUSE Linux Enterprise Server 8.0, 9.0, 10.0, Debian GNU/Linux 3.1, 4.0, Linspire Linux 5.0, SUSE Linux 10.0, 10.1, 10.2

Microsoft Windows Operating Systems Supported

2000, NT (4.00/4.00 Server), XP, Server 2003, XP x64, Server 2003 running Terminal Services, 2000 Server running Terminal Services, Server 2003 x64, Server 2003 x64 running Terminal Services, Vista, Vista x64

Novell Operating Systems Supported

Open Enterprise Server for Netware with NDS, iPrint or Novell Distributed Print Services (NDPS), NetWare®

3.2, 4.2 (bindery), NetWare 4.2, 5.x and 6.x (NDS), NetWare 5.x, 6.x with iPrint or Novell Distributed Print Services (NDPS)

UNIX Operating Systems Supported

Sun Solaris SPARC 8, 9, 10, HP-UX 11.00, 11.1, IBM AIX 5.1, 5.2, 5.3, Sun Solaris x86 10

Other Operating Systems Supported

IBM iSeries or IBM AS/400® Systems with TCP/IP with OS/400® V3R1 or later using OS/400 Host Print Transform, Virtually any platform supporting TCP/IP

Paper Handling Standard

250-Sheet Output Bin, 500-Sheet Drawer, 500-Sheet Input Tray, Duplex Unit, 100-Sheet Multipurpose Feeder

Paper Input Capacity, Standard

1100 pages 20 lb or 75 gsm bond

Paper Input Capacity, Maximum

1100 pages 20 lb or 75 gsm bond

Paper Output Capacity, Standard

250 pages 20 lb or 75 gsm bond

Paper Output Capacity, Maximum

250 pages 20 lb or 75 gsm bond

Envelope Capacity

10

Finishing Option

No

Number of Paper Inputs, Standard

3

Number of Paper Inputs, Maximum

3

Media Types Supported

Card Stock, Envelopes, Glossy paper, Labels, Plain Paper, Transparencies, Refer to the Card Stock & Label Guide

Media Sizes Supported

10 Envelope, 7 3/4 Envelope, 9 Envelope, A4, A5, B5 Envelope, C5 Envelope, DL Envelope, Executive, Folio, JIS-B5, Legal, Letter, Statement, Universal

Connectivity (standard)

Fast Ethernet, One Internal Card Slot, USB Compatible with USB 2.0 Specification, USB Direct interface on Operator Panel

Connectivity (optional)

Lexmark N4050e 802.11g Wireless Print Server (Print Only), Internal MarkNet™ N8020 Gigabit Ethernet, Internal MarkNet™ N8050 802.11g Wireless, External MarkNet™ N7020e Gigabit Ethernet, Internal MarkNet™ N8030 Fiber Fast Ethernet

Network Printing Methods

LPR/LPD, Direct IP (Port 9100), Socket (Raw TCP/IP), IPP (Internet Printing Protocol), HTTP, NDS Queue-based Printing, NDPS/NEPS (Novell Distributed Print Services), Novell Netware Enterprise Print Services, Enhanced IP (Port 9400)

Network Protocol Support

TCP/IP IPv4, IPX/SPX, AppleTalk™, LexLink (DLIC),

TCP/IP IPv6

Network Security

SSL* Enabled Embedded Web Server (HTTPS), SNMPv3, TCP/IP port access control, 802.1x Authentication: MD5, MSCHAPv2, LEAP, PEAP, TLS, TTLS, IPsec. *This product includes software developed by the OpenSSL Project for use in the OpenSSL Toolkit.

Printable Area

4.2 mm of the top, bottom, right and left edges (within)

Printable Area

0.167 inches of the top, bottom, right and left edges (within)

Printer Languages (Standard)

PCL 5c Emulation, PCL 6 Emulation, PPDS, PostScript 3 Emulation, PDF 1.5 Emulation, xHTML, Direct Image

Supplies Yield

Ships with 6,000*-page black and colour Return Program Print Cartridges, 6,000*-page (CMYK) Print Cartridges, 10,000*-page (CMYK) High Yield Print Cartridges. *Average continuous black or continuous composite CMY declared cartridge yield up to this number of standard pages in accordance with ISO/IEC 19798.

Packaged Size (mm - H x W x D)

945 x 1320 x 725 mm

Packaged Size (in. - H x W x D)

37.2 x 52.0 x 28.5 in.

Size (mm - H x W x D)

734 x 604.5 x 470 mm

Size (in. - H x W x D)

28.9 x 23.8 x 18.5 in.

Weight (kg)

60 kg

Weight (lb.)

132 lb.

Acoustics/Noise level (Idle mode)

30 dBA

Acoustics/Noise level (Operating mode)

52 dBA

Product Guarantee

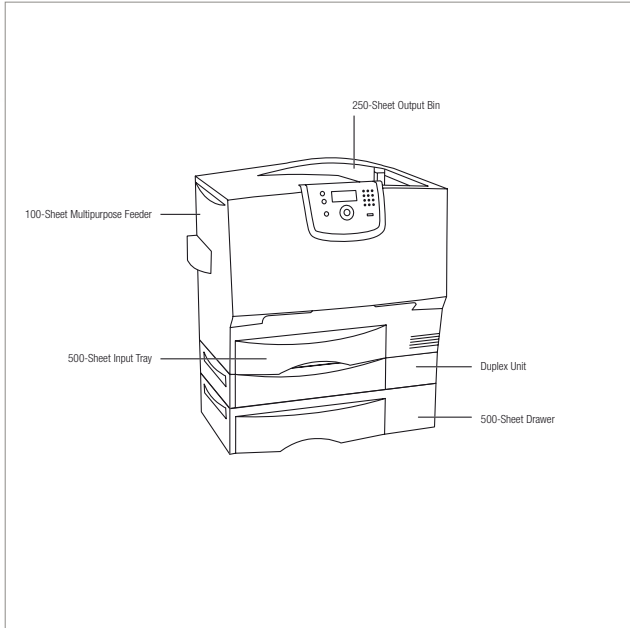
One Year Onsite Repair

Product Certifications

Energy Star, CSA, ICES Class A, BSMI Class A, VCCI Class A, FCC Class A, UL 60950-1, IEC 60320-1, CE Class A, CB IEC 60950-1, IEC 60825-1, GS (TÜV), SEMKO, UL AR, CS, TÜV Rh, C-tick mark Class A, CCC Class A

Specified Operating Environment

Temperature: 16 to 32°C (60 to 90°F), Humidity: 8 to 80% Relative Humidity, Altitude: 0 - 3048 Meters (10,000 Feet)



■ Paper Handling Standard

Part #	Model
0010Z0252	Lexmark C780dtn

Part #	Laser Toner/Print Cartridge
00C780H1KG	C780, C782 Black High Yield Return Program Print Cartridge
00C780A1KG	C780, C782 Black Return Program Print Cartridge
00C780H2KG	C780, C782 Black High Yield Print Cartridge
00C780A2KG	C780, C782 Black Print Cartridge
00C780H1CG	C780, C782 Cyan High Yield Return Program Print Cartridge
00C780A1CG	C780, C782 Cyan Return Program Print Cartridge
00C780H2CG	C780, C782 Cyan High Yield Print Cartridge
00C780A2CG	C780, C782 Cyan Print Cartridge
00C780H1MG	C780, C782 Magenta High Yield Return Program Print Cartridge
00C780A1MGC	C780, C782 Magenta Return Program Print Cartridge
00C780H2MG	C780, C782 Magenta High Yield Print Cartridge
00C780A2MGC	C780, C782 Magenta Print Cartridge
00C780H1YG	C780, C782 Yellow High Yield Return Program Print Cartridge
00C780A1YG	C780, C782 Yellow Return Program Print Cartridge
00C780H2YG	C780, C782 Yellow High Yield Print Cartridge
00C780A2YG	C780, C782 Yellow Print Cartridge
0010B3100	C75X, C76X, C77X Waste Toner Container

Part #	Paper & Transparencies
0012A5951	Glossy Laser Paper, A4 (200)
0012A8241	Professional Colour Laser Transparencies, A4
0012A5950	Glossy Laser Paper, Letter (200)

Part #	Paper Handling
0020B2373	C770, C772, C780, C782 500-Sheet Tray

Part #	Furniture
0016N1708	C76x, C77x Printer Stand

Part #	Flash, SDRAM Memory
0013N1523	128MB DDR-DRAM
0013N1524	256MB DDR-DRAM
0013N1526	512MB DDR-DRAM
001021208	32MB Flash Card
001021209	64MB Flash Card
001021243	Japanese Font Card
001021240	Korean Font Card
001021241	Simplified Chinese Font Card
001021242	Traditional Chinese Font Card

Part #	Hard disk
0013N1530	40+ GB Hard Disk

Part #	Application Cards / SIMMS
0010Z0400	C780, C782 Bar Code Card
0010Z0401	C780, C782 Card for IPDS and SCS/TNE

0010Z0402	C780, C782 Forms Card
0010Z0403	Lexmark Print/Cryption Card for the Lexmark C780, C782
0010Z0404	C780, C782 Card for PRESCRIBE Emulation

Part #	Connectivity
001021294	USB (2 Meter) Cable
001021092	RS-232C Serial Interface Card
0014T0155	Lexmark N4050e 802.11g Wireless Print Server
0014S0210	MarkNet N8050 802.11g Wireless Print Server
0014S0200	MarkNet N8020 GigaBit Ethernet Print Server
0014S0220	MarkNet N8030 Fiber Ethernet 100BaseFX, 10BaseFL
0014T0220	MarkNet™ N7020e Gigabit Ethernet Print Server
001021231	Parallel (10') Cable
001021091	Parallel 1284-B Interface Card

Part #	Extended Warranties
002349392	1 Year OnSite Repair Extended Guarantee
002349393	2 Year OnSite Repair Extended Guarantee
002349394	3 Year OnSite Repair Extended Guarantee
002349396	1 Year Renewal OnSite Repair Extended Guarantee

Part #	User Replaceable Parts
0040X1832	C780, C782 Fuser Maintenance Kit 220V
0040X1826	C780, C782 Image Transfer Unit Maintenance Kit



Lexmark C782n

Extra speed and versatility for high-quality in-house printing

Print Technology

Color Laser

Print Speed (A4, Black)

Up to 38 ppm

Print Speed (A4, Colour)

Up to 33 ppm

Print Speed (Letter, Black)

Up to 40 ppm

Print Speed (Letter, Colour)

Up to 35 ppm

Time to First Page (Black)

As fast as 11 seconds

Time to First Page (Colour)

As fast as 13 seconds

Print Resolution, Black

1200 x 1200 dpi

4800 Color Quality (2400 x 600 dpi)

Print Resolution, Colour

1200 x 1200 dpi, 4800 Colour Quality (2400 x 600 dpi)

Processor

800 / 133 MHz

Memory, Standard

256 MB

Memory, Maximum

768 MB

Expandable Memory Options

Yes

Apple Macintosh Operating Systems Supported

Mac OS X, Mac OS 9.x

Citrix MetaFrame

Citrix, MetaFrame and MetaFrame XP are registered trademarks or trademarks of Citrix Systems, Inc. in the U.S. and other countries. Microsoft Windows 2000 Server running Terminal Services with Citrix MetaFrame XP Presentation Server or Citrix MetaFrame Presentation Server 3.0., Microsoft Windows Server 2003 running Terminal Services with Citrix MetaFrame XP Presentation Server or Citrix MetaFrame Presentation Server 3.0, Microsoft Windows 2000 Server running Terminal Services with Citrix Presentation Server 4.0, Microsoft Windows Server 2003 running Terminal Services with Citrix Presentation Server 4.0, Microsoft Windows Server 2003 x64 running Terminal Services with Citrix Presentation Server 4.0

Linux Operating Systems Supported

Red Flag Linux Desktop 4.0, 5.0, Linpus Linux Desktop 9.2, 9.3, Red Hat Enterprise Linux WS 3.0, 4.0, 5.0, SUSE Linux Enterprise Server 8.0, 9.0, 10.0, Debian GNU/Linux 3.1, 4.0, Linspire Linux 5.0, SUSE Linux 10.0, 10.1, 10.2

Microsoft Windows Operating Systems Supported

2000, NT (4.00/4.00 Server), XP, Server 2003, XP x64, Server 2003 running Terminal Services, 2000 Server running Terminal Services, Server 2003 x64, Server 2003 x64 running Terminal Services, Vista, Vista x64

Novell Operating Systems Supported

Open Enterprise Server for Netware with NDS, iPrint or Novell Distributed Print Services (NDPS), NetWare®

3.2, 4.2 (bindery), NetWare 4.2, 5.x and 6.x (NDS), NetWare 5.x, 6.x with iPrint or Novell Distributed Print Services (NDPS)

UNIX Operating Systems Supported

Sun Solaris SPARC 8, 9, 10, HP-UX 11.00, 11.1, IBM AIX 5.1, 5.2, 5.3, Sun Solaris x86 10

Other Operating Systems Supported

IBM iSeries or IBM AS/400® Systems with TCP/IP with OS/400® V3R1 or later using OS/400 Host Print Transform, Virtually any platform supporting TCP/IP

Paper Handling Standard

250-Sheet Output Bin, 500-Sheet Input Tray, 100-Sheet Multipurpose Feeder

Paper Handling Optional

5-Bin Mailbox, 650-Sheet Output Expander, StapleSmart Finisher, Duplex Unit, 500-Sheet Drawer, Envelope Drawer, Banner Media Tray, Outdoor Media Drawer, 2,000-Sheet High-capacity Feeder

Paper Input Capacity, Standard

600 pages 20 lb or 75 gsm bond

Paper Input Capacity, Maximum

3100 pages 20 lb or 75 gsm bond

Paper Output Capacity, Standard

250 pages 20 lb or 75 gsm bond

Paper Output Capacity, Maximum

900 pages 20 lb or 75 gsm bond

Envelope Capacity

60

Finishing Option

Yes

Number of Paper Inputs, Standard

2

Number of Paper Inputs, Maximum

5

Media Types Supported

Card Stock, Envelopes, Glossy paper, Labels, Plain Paper, Transparencies, Refer to the Card Stock & Label Guide, Outdoor Media, Banner Paper

Media Sizes Supported

10 Envelope, 7 3/4 Envelope, 9 Envelope, A4, A5, B5 Envelope, C5 Envelope, DL Envelope, Executive, Folio, JIS-B5, Legal, Letter, Statement, Universal, Banner

Connectivity (standard)

Fast Ethernet, One Internal Card Slot, USB Compatible with USB 2.0 Specification, USB Direct interface on Operator Panel

Connectivity (optional)

Lexmark N4050e 802.11g Wireless Print Server (Print Only), Internal MarkNet™ N8020 Gigabit Ethernet, Internal MarkNet™ N8050 802.11g Wireless, External MarkNet™ N7020e Gigabit Ethernet, Internal MarkNet™ N8030 Fiber Fast Ethernet

Network Printing Methods

LPR/LPD, Direct IP (Port 9100), Socket (Raw TCP/IP),

IPP (Internet Printing Protocol), HTTP, NDS Queue-based Printing, NDPS/NEPS (Novell Distributed Print Services), Novell Netware Enterprise Print Services, Enhanced IP (Port 9400)

Network Protocol Support

TCP/IP IPv4, IPX/SPX, AppleTalk™, LexLink (DLC), TCP/IP IPv6

Network Security

SSL* Enabled Embedded Web Server (HTTPS), SNMPv3, TCP/IP port access control, 802.1x Authentication: MD5, MSCHAPv2, LEAP, PEAP, TLS, TTLS, IPsec, *This product includes software developed by the OpenSSL Project for use in the OpenSSL Toolkit.

Printable Area

4.2 mm of the top, bottom, right and left edges (within)

Printable Area

0.167 inches of the top, bottom, right and left edges (within)

Printer Languages (Standard)

PCL 5c Emulation, PCL 6 Emulation, PPDS, PostScript 3 Emulation, PDF 1.5 Emulation, xHTML, Direct Image

Supplies Yield

6,000*-page (CMYK) Print Cartridges, 10,000*-page (CMYK) High Yield Print Cartridges, 15,000*-page (CMYK) Extra High Yield Print Cartridges, Ships with 10,000*-page black and colour High Yield Return Program Print Cartridges, *Average continuous black output continuous composite CMY declared cartridge yield up to this number of standard pages in accordance with ISO/IEC 19798.

Packaged Size (mm - H x W x D)

810 x 795 x 650 mm

Packaged Size (in. - H x W x D)

31.9 x 31.3 x 25.6 in.

Size (mm - H x W x D)

528 x 604.5 x 470 mm

Size (in. - H x W x D)

20.8 x 23.8 x 18.5 in.

Weight (kg)

47.7 kg

Weight (lb.)

105 lb.

Acoustics/Noise level (Idle mode)

30 dBA

Acoustics/Noise level (Operating mode)

53 dBA

Product Guarantee

One Year Onsite Repair

Product Certifications

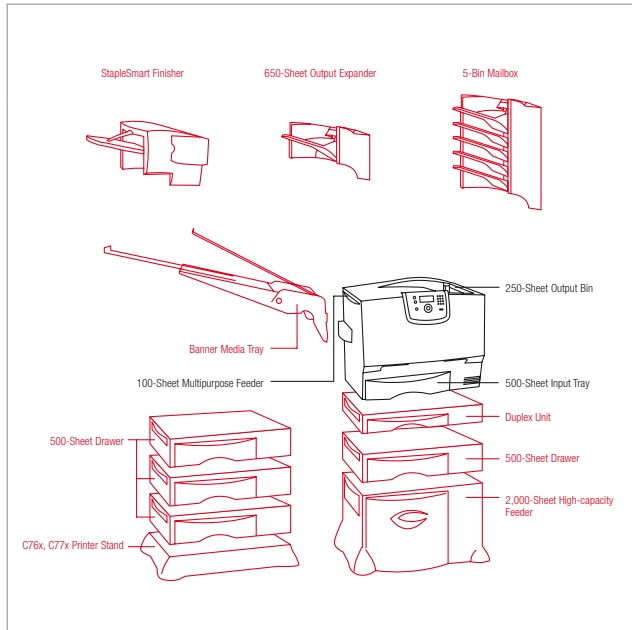
CSA, ICES Class A, BSMI Class A, VCCI Class A, FCC Class A, UL 60950-1, IEC 60320-1, CE Class A, CB IEC 60950-1, IEC 60825-1, GS (TÜV), SEMKO, UL AR, CS, TÜV Rh, C-tick mark Class A, CCC Class A

Specified Operating Environment

Temperature: 16 to 32°C (60 to 90°F), Humidity: 8 to 80% Relative Humidity, Altitude: 0 - 3048 Meters



(10,000 Feet)



Paper Handling Standard
 Paper Handling Optional

Part #	Model
0010Z0150	Lexmark C782n
Part #	Laser Toner/Print Cartridge
00C782X1KG	C782 Black Extra High Yield Return Program Print Cartridge
00C780H1KG	C780, C782 Black High Yield Return Program Print Cartridge
00C780A1KG	C780, C782 Black Return Program Print Cartridge
00C782X2KG	C782 Black Extra High Yield Print Cartridge
00C780H2KG	C780, C782 Black High Yield Print Cartridge
00C780A2KG	C780, C782 Black Print Cartridge
00C782X1CG	C782 Cyan Extra High Yield Return Program Print Cartridge
00C780H1CG	C780, C782 Cyan High Yield Return Program Print Cartridge
00C780A1CG	C780, C782 Cyan Return Program Print Cartridge
00C782X2CG	C782 Cyan Extra High Yield Print Cartridge
00C780H2CG	C780, C782 Cyan High Yield Print Cartridge
00C780A2CG	C780, C782 Cyan Print Cartridge
00C782X1MG	C782 Magenta Extra High Yield Return Program Print Cartridge
00C780H1MG	C780, C782 Magenta High Yield Return Program Print Cartridge
00C780A1MG	C780, C782 Magenta Return Program Print Cartridge
00C782X2MG	C782 Magenta Extra High Yield Print Cartridge
00C780H2MG	C780, C782 Magenta High Yield Print Cartridge
00C780A2MG	C780, C782 Magenta Print Cartridge
00C782X1YG	C782 Yellow Extra High Yield Return Program Print Cartridge
00C780H1YG	C780, C782 Yellow High Yield Return Program Print Cartridge
00C780A1YG	C780, C782 Yellow Return Program Print Cartridge
00C782X2YG	C782 Yellow Extra High Yield Print Cartridge
00C780H2YG	C780, C782 Yellow High Yield Print Cartridge
00C780A2YG	C780, C782 Yellow Print Cartridge
0010B3100	C75X, C76X, C77X Waste Toner Container
0011K3188	Staple Cartridge (3x3K)
Part #	Paper & Transparencies
0012A5951	Glossy Laser Paper, A4 (200)
0012A8241	Professional Colour Laser Transparencies, A4
0012A5950	Glossy Laser Paper, Letter (200)
0012A8601	C762 Outdoor Media, A4
0012A8940	C762 Banner Laser Paper
Part #	Paper Handling
0020B2300	C770, C772, C780, C782 500-Sheet Drawer
0020B2373	C770, C772, C780, C782 500-Sheet Tray
0020B2400	C770, C772, C780, C782 Duplex Unit
0020B2700	C772, C782 2000-Sheet High Capacity Feeder
0010Z3100	C782 Envelope Drawer
0020B3340	C772, C782 Outdoor Media Drawer
0020B3000	C772, C782 5-Bin Mailbox
0020B3050	C772, C782 Output Expander
0020B3060	C772, C782 StapleSmart Finisher
0020B5000	C772, C782 Banner Media Tray

Part #	Furniture
0016N1708	C76x, C77x Printer Stand
0021J0055	C772 Scanner Shelf
0016C0700	Scanner Stand with Cabinet
Part #	MFP Options
0021J0409	Lexmark 4600 MFP Option (C782n)
0021J0421	Lexmark 4600 MFP Option with No Modem for Lexmark C782n
Part #	Flash, SDRAM Memory
0013N1523	128MB DDR-DRAM
0013N1524	256MB DDR-DRAM
0013N1526	512MB DDR-DRAM
001021208	32MB Flash Card
001021209	64MB Flash Card
001021243	Japanese Font Card
001021240	Korean Font Card
001021241	Simplified Chinese Font Card
001021242	Traditional Chinese Font Card
Part #	Hard disk
0013N1530	40+ GB Hard Disk
Part #	Application Cards / SIMMS
0010Z0400	C780, C782 Bar Code Card
0010Z0401	C780, C782 Card for IPDS and SCS/TNE
0010Z0402	C780, C782 Forms Card
0010Z0403	Lexmark PrintCryption Card for the Lexmark C780, C782
0010Z0404	C780, C782 Card for PRESCRIBE Emulation
Part #	Connectivity
001021294	USB (2 Meter) Cable
001021092	RS-232C Serial Interface Card
0014T0155	Lexmark N4050e 802.11g Wireless Print Server
0014S0210	MarkNet N8050 802.11g Wireless Print Server
0014S0200	MarkNet N8020 Gigabit Ethernet Print Server
0014S0220	MarkNet N8030 Fiber Ethernet 100BaseFX, 10BaseFL
0014T0220	MarkNet™ N7020e Gigabit Ethernet Print Server
001021231	Parallel (10') Cable
001021091	Parallel 1284-B Interface Card
0021J0069	6 Meter Scanner Cable
Part #	Extended Warranties
002349404	1 Year OnSite Repair Extended Guarantee
002349405	2 Year OnSite Repair Extended Guarantee
002349406	3 Year OnSite Repair Extended Guarantee
002349408	1 Year Renewal OnSite Repair Extended Guarantee
Part #	User Replaceable Parts
0040X1832	C780, C782 Fuser Maintenance Kit 220V

COLOR LASER



Lexmark C782dn

Extra speed and versatility for high-quality in-house printing plus duplex

Print Technology

Color Laser

Print Speed (A4, Black)

Up to 38 ppm

Print Speed (A4, Colour)

Up to 33 ppm

Print Speed (Letter, Black)

Up to 40 ppm

Print Speed (Letter, Colour)

Up to 35 ppm

Time to First Page (Black)

As fast as 11 seconds

Time to First Page (Colour)

As fast as 13 seconds

Print Resolution, Black

1200 x 1200 dpi

4800 Color Quality (2400 x 600 dpi)

Print Resolution, Colour

1200 x 1200 dpi, 4800 Colour Quality (2400 x 600 dpi)

Processor

800 / 133 MHz

Memory, Standard

256 MB

Memory, Maximum

768 MB

Expandable Memory Options

Yes

Apple Macintosh Operating Systems Supported

Mac OS X, Mac OS 9.x

Citrix MetaFrame

Citrix, MetaFrame and MetaFrame XP are registered trademarks or trademarks of Citrix Systems, Inc. in the U.S. and other countries. Microsoft Windows 2000 Server running Terminal Services with Citrix MetaFrame XP Presentation Server or Citrix MetaFrame Presentation Server 3.0., Microsoft Windows Server 2003 running Terminal Services with Citrix MetaFrame XP Presentation Server or Citrix MetaFrame Presentation Server 3.0, Microsoft Windows 2000 Server running Terminal Services with Citrix MetaFrame Presentation Server 3.0, Microsoft Windows Server 2003 running Terminal Services with Citrix Presentation Server 4.0, Microsoft Windows Server 2003 x64 running Terminal Services with Citrix Presentation Server 4.0

Linux Operating Systems Supported

Red Flag Linux Desktop 4.0, 5.0, Linpus Linux Desktop 9.2, 9.3, Red Hat Enterprise Linux WS 3.0, 4.0, 5.0, SUSE Linux Enterprise Server 8.0, 9.0, 10.0, Debian GNU/Linux 3.1, 4.0, Linspire Linux 5.0, SUSE Linux 10.0, 10.1, 10.2

Microsoft Windows Operating Systems Supported

2000, NT (4.00/4.00 Server), XP, Server 2003, XP x64, Server 2003 running Terminal Services, 2000 Server running Terminal Services, Server 2003 x64, Server 2003 x64 running Terminal Services, Vista, Vista x64

Novell Operating Systems Supported

Open Enterprise Server for Netware with NDS, iPrint or Novell Distributed Print Services (NDPS), NetWare®

3.2, 4.2 (bindery), NetWare 4.2, 5.x and 6.x (NDS), NetWare 5.x, 6.x with iPrint or Novell Distributed Print Services (NDPS)

UNIX Operating Systems Supported

Sun Solaris SPARC 8, 9, 10, HP-UX 11.00, 11.1, IBM AIX 5.1, 5.2, 5.3, Sun Solaris x86 10

Other Operating Systems Supported

IBM iSeries or IBM AS/400® Systems with TCP/IP with OS/400® V3R1 or later using OS/400 Host Print Transform, Virtually any platform supporting TCP/IP

Paper Handling Standard

250-Sheet Output Bin, 500-Sheet Input Tray, Duplex Unit, 100-Sheet Multipurpose Feeder

Paper Handling Optional

5-Bin Mailbox, 650-Sheet Output Expander, StapleSmart Finisher, 500-Sheet Drawer, Envelope Drawer, Banner Media Tray, Outdoor Media Drawer, 2,000-Sheet High-capacity Feeder

Paper Input Capacity, Standard

600 pages 20 lb or 75 gsm bond

Paper Input Capacity, Maximum

3100 pages 20 lb or 75 gsm bond

Paper Output Capacity, Standard

250 pages 20 lb or 75 gsm bond

Paper Output Capacity, Maximum

900 pages 20 lb or 75 gsm bond

Envelope Capacity

60

Finishing Option

Yes

Number of Paper Inputs, Standard

2

Number of Paper Inputs, Maximum

5

Media Types Supported

Card Stock, Envelopes, Glossy paper, Labels, Plain Paper, Transparencies, Refer to the Card Stock & Label Guide, Outdoor Media, Banner Paper

Media Sizes Supported

10 Envelope, 7 3/4 Envelope, 9 Envelope, A4, A5, B5 Envelope, C5 Envelope, DL Envelope, Executive, Folio, JIS-B5, Legal, Letter, Statement, Universal, Banner

Connectivity (standard)

Fast Ethernet, One Internal Card Slot, USB Compatible with USB 2.0 Specification, USB Direct interface on Operator Panel

Connectivity (optional)

Lexmark N4050e 802.11g Wireless Print Server (Print Only), Internal MarkNet™ N8020 Gigabit Ethernet, Internal MarkNet™ N8050 802.11g Wireless, External MarkNet™ N7020e Gigabit Ethernet, Internal MarkNet™ N8030 Fiber Fast Ethernet

Network Printing Methods

LPR/LPD, Direct IP (Port 9100), Socket (Raw TCP/IP),

IPP (Internet Printing Protocol), HTTP, NDS Queue-based Printing, NDPS/NEPS (Novell Distributed Print Services), Novell Netware Enterprise Print Services, Enhanced IP (Port 9400)

Network Protocol Support

TCP/IP IPv4, IPX/SPX, AppleTalk™, LexLink (DLC), TCP/IP IPv6

Network Security

SSL* Enabled Embedded Web Server (HTTPS), SNMPv3, TCP/IP port access control, 802.1x Authentication: MD5, MSCHAPv2, LEAP, PEAP, TLS, TTLS, IPsec, *This product includes software developed by the OpenSSL Project for use in the OpenSSL Toolkit.

Printable Area

4.2 mm of the top, bottom, right and left edges (within)

Printable Area

0.167 inches of the top, bottom, right and left edges (within)

Printer Languages (Standard)

PCL 5c Emulation, PCL 6 Emulation, PPDS, PostScript 3 Emulation, PDF 1.5 Emulation, xHTML, Direct Image

Supplies Yield

6,000*-page (CMYK) Print Cartridges, 10,000*-page (CMYK) High Yield Print Cartridges, 15,000*-page (CMYK) Extra High Yield Print Cartridges, Ships with 10,000*-page black and colour High Yield Return Program Print Cartridges, *Average continuous black or continuous composite CMY declared cartridge yield up to this number of standard pages in accordance with ISO/IEC 19798.

Packaged Size (mm - H x W x D)

945 x 1100 x 725 mm

Packaged Size (in. - H x W x D)

37.2 x 43.3 x 28.5 in.

Size (mm - H x W x D)

617.2 x 604.5 x 470 mm

Size (in. - H x W x D)

24.3 x 23.8 x 18.5 in.

Weight (kg)

53.8 kg

Weight (lb.)

118.5 lb.

Acoustics/Noise level (Idle mode)

30 dBA

Acoustics/Noise level (Operating mode)

53 dBA

Product Guarantee

One Year Onsite Repair

Product Certifications

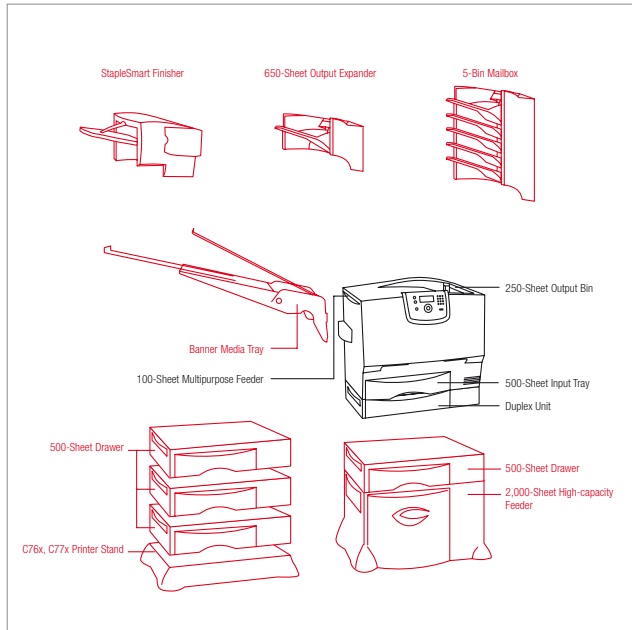
Energy Star, CSA, ICES Class A, BSMI Class A, VCCI Class A, FCC Class A, UL 60950-1, IEC 60320-1, CE Class A, CB IEC 60950-1, IEC 60825-1, GS (TÜV), SEMKO, UL AR, CS, TÜV Rh, C-tick mark Class A, CCC Class A

Specified Operating Environment

Temperature: 16 to 32°C (60 to 90°F), Humidity: 8 to 80% Relative Humidity, Altitude: 0 - 3048 Meters



(10,000 Feet)



Paper Handling Standard
 Paper Handling Optional

COLOR LASER

Part #	Model
0010Z0151	Lexmark C782dn

Part #	Laser Toner/Print Cartridge
00C782X1KG	C782 Black Extra High Yield Return Program Print Cartridge
00C780H1KG	C780, C782 Black High Yield Return Program Print Cartridge
00C780A1KG	C780, C782 Black Return Program Print Cartridge
00C782X2KG	C782 Black Extra High Yield Print Cartridge
00C780H2KG	C780, C782 Black High Yield Print Cartridge
00C780A2KG	C780, C782 Black Print Cartridge
00C782X1CG	C782 Cyan Extra High Yield Return Program Print Cartridge
00C780H1CG	C780, C782 Cyan High Yield Return Program Print Cartridge
00C780A1CG	C780, C782 Cyan Return Program Print Cartridge
00C782X2CG	C782 Cyan Extra High Yield Print Cartridge
00C780H2CG	C780, C782 Cyan High Yield Print Cartridge
00C780A2CG	C780, C782 Cyan Print Cartridge
00C782X1MG	C782 Magenta Extra High Yield Return Program Print Cartridge
00C780H1MG	C780, C782 Magenta High Yield Return Program Print Cartridge
00C780A1MG	C780, C782 Magenta Return Program Print Cartridge
00C782X2MG	C782 Magenta Extra High Yield Print Cartridge
00C780H2MG	C780, C782 Magenta High Yield Print Cartridge
00C780A2MG	C780, C782 Magenta Print Cartridge
00C782X1YG	C782 Yellow Extra High Yield Return Program Print Cartridge
00C780H1YG	C780, C782 Yellow High Yield Return Program Print Cartridge
00C780A1YG	C780, C782 Yellow Return Program Print Cartridge
00C782X2YG	C782 Yellow Extra High Yield Print Cartridge
00C780H2YG	C780, C782 Yellow High Yield Print Cartridge
00C780A2YG	C780, C782 Yellow Print Cartridge
0010B3100	C75X, C76X, C77X Waste Toner Container
0011K3188	Staple Cartridge (3x3K)

Part #	Paper & Transparencies
0012A5951	Glossy Laser Paper, A4 (200)
0012A8241	Professional Colour Laser Transparencies, A4
0012A5950	Glossy Laser Paper, Letter (200)
0012A8601	C762 Outdoor Media, A4
0012A8940	C762 Banner Laser Paper

Part #	Paper Handling
0020B2300	C770, C772, C780, C782 500-Sheet Drawer
0020B2373	C770, C772, C780, C782 500-Sheet Tray
0020B2700	C772, C782 2000-Sheet High Capacity Feeder
0010Z3100	C782 Envelope Drawer
0020B3340	C772, C782 Outdoor Media Drawer
0020B3000	C772, C782 5-Bin Mailbox
0020B3050	C772, C782 Output Expander
0020B3060	C772, C782 StapleSmart Finisher
0020B5000	C772, C782 Banner Media Tray

Part #	Furniture
0016N1708	C76x, C77x Printer Stand

0021J0055	C772 Scanner Shelf
0016C0700	Scanner Stand with Cabinet

Part #	MFP Options
0021J0409	Lexmark 4600 MFP Option (C782n)
0021J0421	Lexmark 4600 MFP Option with No Modem for Lexmark C782n

Part #	Flash, SDRAM Memory
0013N1523	128MB DDR-DRAM
0013N1524	256MB DDR-DRAM
0013N1526	512MB DDR-DRAM
001021208	32MB Flash Card
001021209	64MB Flash Card
001021243	Japanese Font Card
001021240	Korean Font Card
001021241	Simplified Chinese Font Card
001021242	Traditional Chinese Font Card

Part #	Hard disk
0013N1530	40+ GB Hard Disk

Part #	Application Cards / SIMMs
0010Z0400	C780, C782 Bar Code Card
0010Z0401	C780, C782 Card for IPDS and SCS/TNe
0010Z0402	C780, C782 Forms Card
0010Z0403	Lexmark Print/Cryption Card for the Lexmark C780, C782
0010Z0404	C780, C782 Card for PRESCRIBE Emulation

Part #	Connectivity
001021294	USB (2 Meter) Cable
001021092	RS-232C Serial Interface Card
0014T0155	Lexmark N4050e 802.11g Wireless Print Server
0014S0210	MarkNet N8050 802.11g Wireless Print Server
0014S0200	MarkNet N8020 GigaBit Ethernet Print Server
0014S0220	MarkNet N8030 Fiber Ethernet 100BaseFX, 10BaseFL
0014T0220	MarkNet™ N7020e Gigabit Ethernet Print Server
001021231	Parallel (10') Cable
001021091	Parallel 1264-B Interface Card
0021J0069	6 Meter Scanner Cable

Part #	Extended Warranties
002349404	1 Year OnSite Repair Extended Guarantee
002349405	2 Year OnSite Repair Extended Guarantee
002349406	3 Year OnSite Repair Extended Guarantee
002349408	1 Year Renewal OnSite Repair Extended Guarantee

Part #	User Replaceable Parts
0040X1832	C780, C782 Fuser Maintenance Kit 220V
0040X1826	C780, C782 Image Transfer Unit Maintenance Kit



Lexmark C782dtn

High-quality in-house printing plus duplex and additional input drawer

Print Technology

Color Laser

Print Speed (A4, Black)

Up to 38 ppm

Print Speed (A4, Colour)

Up to 33 ppm

Print Speed (Letter, Black)

Up to 40 ppm

Print Speed (Letter, Colour)

Up to 35 ppm

Time to First Page (Black)

As fast as 11 seconds

Time to First Page (Colour)

As fast as 13 seconds

Print Resolution, Black

1200 x 1200 dpi

4800 Color Quality (2400 x 600 dpi)

Print Resolution, Colour

1200 x 1200 dpi, 4800 Colour Quality (2400 x 600 dpi)

Processor

800 / 133 MHz

Memory, Standard

256 MB

Memory, Maximum

768 MB

Expandable Memory Options

Yes

Apple Macintosh Operating Systems Supported

Mac OS X, Mac OS 9.x

Citrix MetaFrame

Citrix, MetaFrame and MetaFrame XP are registered trademarks or trademarks of Citrix Systems, Inc. in the U.S. and other countries. Microsoft Windows 2000 Server running Terminal Services with Citrix MetaFrame XP Presentation Server or Citrix MetaFrame Presentation Server 3.0., Microsoft Windows Server 2003 running Terminal Services with Citrix MetaFrame XP Presentation Server or Citrix MetaFrame Presentation Server 3.0, Microsoft Windows 2000 Server running Terminal Services with Citrix Presentation Server 4.0, Microsoft Windows Server 2003 running Terminal Services with Citrix Presentation Server 4.0, Microsoft Windows Server 2003 x64 running Terminal Services with Citrix Presentation Server 4.0

Linux Operating Systems Supported

Red Flag Linux Desktop 4.0, 5.0, Linpus Linux Desktop 9.2, 9.3, Red Hat Enterprise Linux WS 3.0, 4.0, 5.0, SUSE Linux Enterprise Server 8.0, 9.0, 10.0, Debian GNU/Linux 3.1, 4.0, Linspire Linux 5.0, SUSE Linux 10.0, 10.1, 10.2

Microsoft Windows Operating Systems Supported

2000, NT (4.00/4.00 Server), XP, Server 2003, XP x64, Server 2003 running Terminal Services, 2000 Server running Terminal Services, Server 2003 x64, Server 2003 x64 running Terminal Services, Vista, Vista x64

Novell Operating Systems Supported

Open Enterprise Server for Netware with NDS, iPrint or Novell Distributed Print Services (NDPS), NetWare®

3.2, 4.2 (bindery), NetWare 4.2, 5.x and 6.x (NDS), NetWare 5.x, 6.x with iPrint or Novell Distributed Print Services (NDPS)

UNIX Operating Systems Supported

Sun Solaris SPARC 8, 9, 10, HP-UX 11.00, 11.1, IBM AIX 5.1, 5.2, 5.3, Sun Solaris x86 10

Other Operating Systems Supported

IBM iSeries or IBM AS/400® Systems with TCP/IP with OS/400® V3R1 or later using OS/400 Host Print Transform, Virtually any platform supporting TCP/IP

Paper Handling Standard

250-Sheet Output Bin, 500-Sheet Drawer, 500-Sheet Input Tray, Duplex Unit, 100-Sheet Multipurpose Feeder

Paper Handling Optional

5-Bin Mailbox, 650-Sheet Output Expander, Staple/Smart Finisher, 500-Sheet Drawer, Envelope Drawer, Banner Media Tray, Outdoor Media Drawer, 2,000-Sheet High-capacity Feeder

Paper Input Capacity, Standard

1100 pages 20 lb or 75 gsm bond

Paper Input Capacity, Maximum

3100 pages 20 lb or 75 gsm bond

Paper Output Capacity, Standard

250 pages 20 lb or 75 gsm bond

Paper Output Capacity, Maximum

900 pages 20 lb or 75 gsm bond

Envelope Capacity

60

Finishing Option

Yes

Number of Paper Inputs, Standard

3

Number of Paper Inputs, Maximum

5

Media Types Supported

Card Stock, Envelopes, Glossy paper, Labels, Plain Paper, Transparencies, Refer to the Card Stock & Label Guide, Outdoor Media, Banner Paper

Media Sizes Supported

10 Envelope, 7 3/4 Envelope, 9 Envelope, A4, A5, B5 Envelope, C5 Envelope, DL Envelope, Executive, Folio, JIS-B5, Legal, Letter, Statement, Universal, Banner

Connectivity (standard)

Fast Ethernet, One Internal Card Slot, USB Compatible with USB 2.0 Specification, USB Direct interface on Operator Panel

Connectivity (optional)

Lexmark N4050e 802.11g Wireless Print Server (Print Only), Internal MarkNet™ N8020 Gigabit Ethernet, Internal MarkNet™ N8050 802.11g Wireless, External MarkNet™ N7020e Gigabit Ethernet, Internal MarkNet™ N8030 Fiber Fast Ethernet

Network Printing Methods

LPR/LPD, Direct IP (Port 9100), Socket (Raw TCP/IP),

IPP (Internet Printing Protocol), HTTP, NDS Queue-based Printing, NDPS/NEPS (Novell Distributed Print Services), Novell Netware Enterprise Print Services, Enhanced IP (Port 9400)

Network Protocol Support

TCP/IP IPv4, IPX/SPX, AppleTalk™, LexLink (DLC), TCP/IP IPv6

Network Security

SSL Enabled Embedded Web Server (HTTPS), SNMPv3, TCP/IP port access control, 802.1x Authentication: MD5, MSCHAPv2, LEAP, PEAP, TLS, TTLS, IPsec, *This product includes software developed by the OpenSSL Project for use in the OpenSSL Toolkit.

Printable Area

4.2 mm of the top, bottom, right and left edges (within)

Printable Area

0.167 inches of the top, bottom, right and left edges (within)

Printer Languages (Standard)

PCL 5c Emulation, PCL 6 Emulation, PPDS, PostScript 3 Emulation, PDF 1.5 Emulation, xHTML, Direct Image

Supplies Yield

6,000*-page (CMYK) Print Cartridges, 10,000*-page (CMYK) High Yield Print Cartridges, 15,000*-page (CMYK) Extra High Yield Print Cartridges, Ships with 10,000*-page black and colour High Yield Return Program Print Cartridges, *Average continuous black output continuous composite CMY declared cartridge yield up to this number of standard pages in accordance with ISO/IEC 19798.

Packaged Size (mm - H x W x D)

945 x 1320 x 725 mm

Packaged Size (in. - H x W x D)

37.2 x 52.0 x 28.5 in.

Size (mm - H x W x D)

734.1 x 604.5 x 470 mm

Size (in. - H x W x D)

28.9 x 23.8 x 18.5 in.

Weight (kg)

60 kg

Weight (lb.)

132 lb.

Acoustics/Noise level (Idle mode)

30 dBA

Acoustics/Noise level (Operating mode)

53 dBA

Product Guarantee

One Year Onsite Repair

Product Certifications

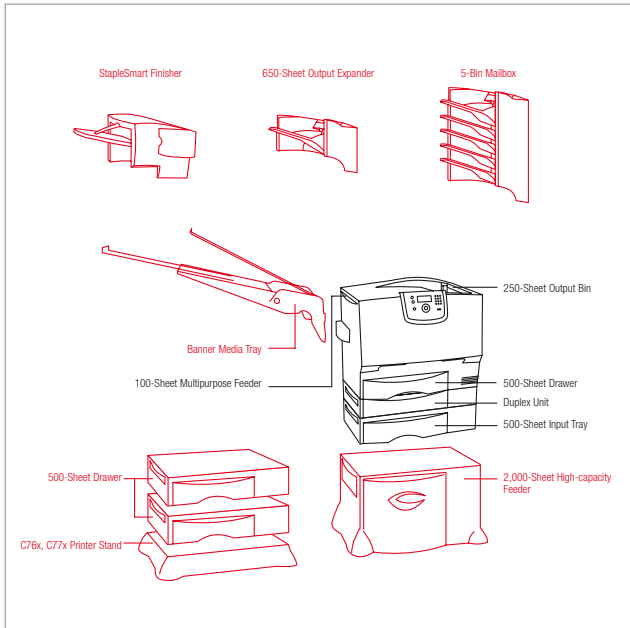
Energy Star, CSA, ICES Class A, BSMI Class A, VCCI Class A, FCC Class A, UL 60950-1, IEC 60320-1, CE Class A, CB IEC 60950-1, IEC 60825-1, GS (TUV), SEMKO, UL AR, CS, TÜV Rh, C-tick mark Class A, CCC Class A

Specified Operating Environment

Temperature: 16 to 32°C (60 to 90°F), Humidity: 8 to 80% Relative Humidity, Altitude: 0 - 3048 Meters



(10,000 Feet)



COLOR LASER

Part #	Model
0010Z0152	Lexmark C782dtn

Part #	Laser Toner/Print Cartridge
00C782X1KG	C782 Black Extra High Yield Return Program Print Cartridge
00C780H1KG	C780, C782 Black High Yield Return Program Print Cartridge
00C780A1KG	C780, C782 Black Return Program Print Cartridge
00C782X2KG	C782 Black Extra High Yield Print Cartridge
00C780H2KG	C780, C782 Black High Yield Print Cartridge
00C780A2KG	C780, C782 Black Print Cartridge
00C782X1CG	C782 Cyan Extra High Yield Return Program Print Cartridge
00C780H1CG	C780, C782 Cyan High Yield Return Program Print Cartridge
00C780A1CG	C780, C782 Cyan Return Program Print Cartridge
00C782X2CG	C782 Cyan Extra High Yield Print Cartridge
00C780H2CG	C780, C782 Cyan High Yield Print Cartridge
00C780A2CG	C780, C782 Cyan Print Cartridge
00C782X1MG	C782 Magenta Extra High Yield Return Program Print Cartridge
00C780H1MG	C780, C782 Magenta High Yield Return Program Print Cartridge
00C780A1MG	C780, C782 Magenta Return Program Print Cartridge
00C782X2MG	C782 Magenta Extra High Yield Print Cartridge
00C780H2MG	C780, C782 Magenta High Yield Print Cartridge
00C780A2MG	C780, C782 Magenta Print Cartridge
00C782X1YG	C782 Yellow Extra High Yield Return Program Print Cartridge
00C780H1YG	C780, C782 Yellow High Yield Return Program Print Cartridge
00C780A1YG	C780, C782 Yellow Return Program Print Cartridge
00C782X2YG	C782 Yellow Extra High Yield Print Cartridge
00C780H2YG	C780, C782 Yellow High Yield Print Cartridge
00C780A2YG	C780, C782 Yellow Print Cartridge
0010B3100	C75X, C76X, C77X Waste Toner Container
0011K3188	Staple Cartridge (3x3K)

Part #	Paper & Transparencies
0012A5951	Glossy Laser Paper, A4 (200)
0012A8241	Professional Colour Laser Transparencies, A4
0012A5950	Glossy Laser Paper, Letter (200)
0012A8601	C762 Outdoor Media, A4
0012A8940	C762 Banner Laser Paper

Part #	Paper Handling
0020B2300	C770, C772, C780, C782 500-Sheet Drawer
0020B2373	C770, C772, C780, C782 500-Sheet Tray
0020B2700	C772, C782 2000-Sheet High Capacity Feeder
0010Z3100	C782 Envelope Drawer
0020B3340	C772, C782 Outdoor Media Drawer
0020B3000	C772, C782 5-Bin Mailbox
0020B3050	C772, C782 Output Expander
0020B3060	C772, C782 StapleSmart Finisher
0020B5000	C772, C782 Banner Media Tray

Part #	Furniture
0016N1708	C76x, C77x Printer Stand

0021J0055	C772 Scanner Shelf
0016C0700	Scanner Stand with Cabinet

Part #	MFP Options
0021J0409	Lexmark 4600 MFP Option (C782n)
0021J0421	Lexmark 4600 MFP Option with No Modem for Lexmark C782n

Part #	Flash, SDRAM Memory
0013N1523	128MB DDR-DRAM
0013N1524	256MB DDR-DRAM
0013N1526	512MB DDR-DRAM
001021208	32MB Flash Card
001021209	64MB Flash Card
001021243	Japanese Font Card
001021240	Korean Font Card
001021241	Simplified Chinese Font Card
001021242	Traditional Chinese Font Card

Part #	Hard disk
0013N1530	40+ GB Hard Disk

Part #	Application Cards / SIMMs
0010Z0400	C780, C782 Bar Code Card
0010Z0401	C780, C782 Card for IPDS and SCS/TNE
0010Z0402	C780, C782 Forms Card
0010Z0403	Lexmark Print/Cryption Card for the Lexmark C780, C782
0010Z0404	C780, C782 Card for PRESCRIBE Emulation

Part #	Connectivity
001021294	USB (2 Meter) Cable
001021092	RS-232C Serial Interface Card
0014T0155	Lexmark N4050e 802.11g Wireless Print Server
0014S0210	MarkNet N8050 802.11g Wireless Print Server
0014S0200	MarkNet N8020 Gigabit Ethernet Print Server
0014S0220	MarkNet N8030 Fiber Ethernet 100BaseFX, 10BaseFL
0014T0220	MarkNet™ N7020e Gigabit Ethernet Print Server
001021231	Parallel (10') Cable
001021091	Parallel 1264-B Interface Card
0021J0069	6 Meter Scanner Cable

Part #	Extended Warranties
002349404	1 Year OnSite Repair Extended Guarantee
002349405	2 Year OnSite Repair Extended Guarantee
002349406	3 Year OnSite Repair Extended Guarantee
002349408	1 Year Renewal OnSite Repair Extended Guarantee

Part #	User Replaceable Parts
0040X1832	C780, C782 Fuser Maintenance Kit 220V
0040X1826	C780, C782 Image Transfer Unit Maintenance Kit



Lexmark C935dn

Expand your horizons with high-quality, wide-format colour printing!

Print Technology

Color Laser

Print Speed (A4, Black)

Up to 45 ppm

Print Speed (A4, Colour)

Up to 40 ppm

Print Speed (Letter, Black)

Up to 45 ppm

Print Speed (Letter, Colour)

Up to 40 ppm

Print Speed (A4, Black) Duplex

Up to 37 spm

Print Speed (Letter, Black) Duplex

Up to 37 spm

Time to First Page (Black)

As fast as 5 seconds

Time to First Page (Colour)

As fast as 9 seconds

Print Resolution, Black

2400 Image Quality

Print Resolution, Colour

2400 Image Quality

Memory, Standard

256 MB

Memory, Maximum

1024MB (replacement required)

Expandable Memory Options

Yes

Apple Macintosh Operating Systems Supported

Mac OS X, Mac OS 9.x, Mac OS X (10.4 Intel), Mac OS X (10.4 Power PC)

Citrix MetaFrame

Microsoft Windows 2000 Server running Terminal Services with Citrix MetaFrame XP Presentation Server or Citrix MetaFrame Presentation Server 3.0., Microsoft Windows Server 2003 running Terminal Services with Citrix MetaFrame XP Presentation Server or Citrix MetaFrame Presentation Server 3.0, Microsoft Windows 2000 Server running Terminal Services with Citrix Presentation Server 4.0, Microsoft Windows Server 2003 running Terminal Services with Citrix Presentation Server 4.0, Microsoft Windows Server 2003 x64 running Terminal Services with Citrix Presentation Server 4.0

Linux Operating Systems Supported

Red Flag Linux Desktop 4.0, 5.0, Linpus Linux Desktop 9.2, 9.3, Red Hat Enterprise Linux WS 3.0, 4.0, 5.0, SUSE Linux Enterprise Server 8.0, 9.0, 10.0, Debian GNU/Linux 3.1, 4.0, Inspire Linux 5.0, SUSE Linux 10.0, 10.1, 10.2

Microsoft Windows Operating Systems Supported

2000, NT (4.00/4.00 Server), XP, Server 2003, XP x64, Server 2003 running Terminal Services, 2000 Server running Terminal Services, Server 2003 x64, Server 2003 x64 running Terminal Services, Vista, Vista x64

Novell Operating Systems Supported

Open Enterprise Server for Netware with NDS, iPrint or Novell Distributed Print Services (NDPS), NetWare® 3.2, 4.2 (bindery), NetWare 4.2, 5.x and 6.x (NDS),

NetWare 5.x, 6.x with iPrint or Novell Distributed Print Services (NDPS)

UNIX Operating Systems Supported

Sun Solaris SPARC 8, 9, 10, HP-UX 11.00, 11.1, IBM AIX 5.1, 5.2, 5.3, Sun Solaris x86 10

Other Operating Systems Supported

IBM iSeries or IBM AS/400® Systems with TCP/IP with OS/400® V3R1 or later using OS/400 Host Print Transform, Virtually any platform supporting TCP/IP

Paper Handling Standard

Integrated Duplex, 100-Sheet Multipurpose Feeder, 520-Sheet Input Tray

Paper Handling Optional

3,500-Sheet Finisher, 3 x 520-Sheet Drawer Stand, 520-Sheet Drawer Stand with Cabinet, 2520-Sheet High Capacity Feeder Stand, Booklet Finisher

Paper Input Capacity, Standard

620 pages 20 lb or 75 gsm bond

Paper Input Capacity, Maximum

3140 pages 20 lb or 75 gsm bond

Paper Output Capacity, Standard

400 pages 20 lb or 75 gsm bond

Paper Output Capacity, Maximum

3500 pages 20 lb or 75 gsm bond

Finishing Option

Yes

Number of Paper Inputs, Standard

2

Number of Paper Inputs, Maximum

5

Media Types Supported

Card Stock, Envelopes, Glossy paper, Paper Labels, Plain Paper, Transparencies, Refer to the Card Stock & Label Guide

Media Sizes Supported

10 Envelope, A3, A4, A5, C5 Envelope, DL Envelope, Executive, Folio, JIS-B4, JIS-B5, Ledger, Legal, Letter, Statement, Universal

Connectivity (standard)

One Internal Card Slot, USB Direct interface on Operator Panel, Gigabit Ethernet (10/100/1000), Hi-Speed USB

Connectivity (optional)

Lexmark M4050e 802.11g Wireless Print Server (Print Only), Internal MarkNet™ N8050 802.11g Wireless, Internal MarkNet™ N8030 Fiber Fast Ethernet

Network Printing Methods

LPR/LPD, Direct IP (Port 9100), Socket (Raw TCP/IP), IPP (Internet Printing Protocol), HTTP, NDS Queue-based Printing, NDPS/NEPS (Novell Distributed Print Services), Novell Netware Enterprise Print Services, Enhanced IP (Port 9400), FTP, TFTP, IPP 1.1 (Internet Printing Protocol)

Network Protocol Support

TCP/IP IPv4, IPX/SPX, AppleTalk™, LexLink (DLC), TCP/IP IPv6

Network Security

SSL* Enabled Embedded Web Server (HTTPS), SNMPv3, TCP/IP port access control, Authenticated and encrypted MarkVision Professional communication, 802.1x Authentication: MDS, MSCHAPv2, LEAP, PEAP, TLS, TTLS, IPsec, *This product includes software developed by the OpenSSL Project for use in the OpenSSL Toolkit.

Printable Area

0.158 mm of the top, bottom, right and left edges (within)

Printable Area

0.158 inches of the top, bottom, right and left edges (within)

Printer Languages (Standard)

PCL 5c Emulation, PCL 6 Emulation, PPDS, PostScript 3 Emulation, xHTML, PDF 1.6, Direct Image

Supplies Yield

Average continuous black or continuous composite CMY declared cartridge yield up to this number of standard pages in accordance with ISO/IEC 19798., 24,000-page colour (CMY) Toner Cartridges, 38,000*-page Black Toner Cartridge, Ships with 13,000*-page black and 12,000* page colour Toner Cartridges

Packaged Size (mm - H x W x D)

735 x 900 x 760 mm

Packaged Size (in. - H x W x D)

28.9 x 35.4 x 29.9 in.

Size (mm - H x W x D)

508 x 650 x 710 mm

Size (in. - H x W x D)

20 x 25.6 x 28.0 in.

Size, Trays Extended (mm - H x W x D)

521 x 975 x 710 mm

Size, Trays Extended (in. - H x W x D)

20.5 x 38.4 x 28.0 in.

Weight (kg)

91.2 kg

Weight (lb.)

201 lb.

Acoustics/Noise level (Idle mode)

34 dBA

Acoustics/Noise level (Operating mode)

55 dBA

Product Guarantee

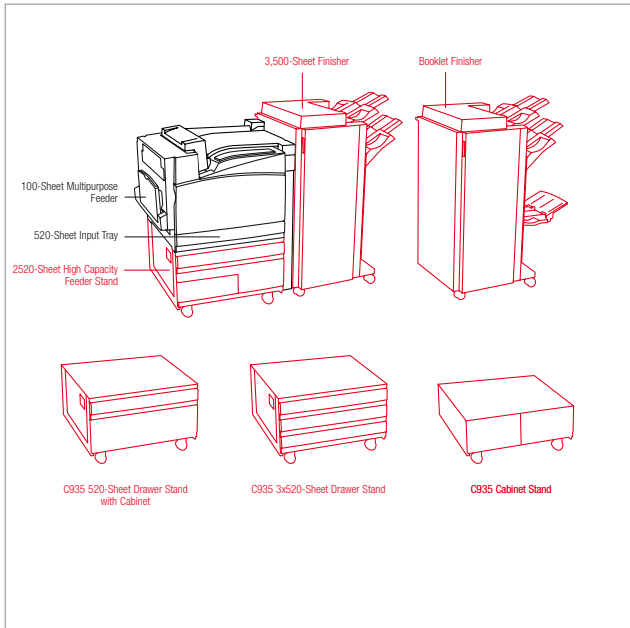
One Year Onsite Repair

Product Certifications

Energy Star, CSA, ICES Class A, BSMI Class A, VCCI Class A, FCC Class A, UL 60950-1, IEC 60320, CE Class A, CB IEC 60950-1, IEC 60825-1, CISPR 22 Class A, GS (TÜV), SEMKO, UL AR, CS, TÜV Rh, A-tick mark Class A, CCC Class A

Specified Operating Environment

Temperature: 16 to 32°C (60 to 90°F), Humidity: 8 to 80% Relative Humidity, Altitude: 0 - 2500 Meters (8,200 Feet)



Paper Handling Standard
 Paper Handling Optional

Part # Model
0021Z0168 Lexmark C935dn

Part # Laser Toner/Print Cartridge
 0C930H2KG C935 Black High Yield Toner Cartridge
 0C930H2CG C935 Cyan High Yield Toner Cartridge
 0C930H2MG C935 Magenta High Yield Toner Cartridge
 0C930H2YG C935 Yellow High Yield Toner Cartridge
 0C930X73G C935, X940e, X945e CMY Photoconductor Unit 3-Pack
 0C930X72G C935, X940e, X945e Black Photoconductor Unit 1-Pack
 0C930X76G C935, X940e, X945e Waste Toner Bottle
 0025A0013 Staple Cartridges (3 pack)
 0021Z0357 Saddle Staple Cartridges (4 pack)

Part # Paper & Transparencies
 0012A5951 Glossy Laser Paper, A4 (200)
 0012A8241 Professional Colour Laser Transparencies, A4
 0012A5950 Glossy Laser Paper, Letter (200)

Part # Paper Handling
 0021Z0305 C935 3x520-Sheet Drawer Stand
 0021Z0307 C935 520-Sheet Drawer Stand with Cabinet
 0021Z0304 C935 2520-Sheet High Capacity Feeder Stand
 0021Z0310 C935, X940e, X945e 3500-Sheet Finisher (4-Hole)
 0021Z0311 C935, X940e, X945e Booklet Finisher (4-Hole)

Part # Furniture
0021Z0306 C935 Cabinet Stand

Part # Flash, SDRAM Memory
 0013N1523 128MB DDR-DRAM
 0013N1524 256MB DDR-DRAM
 0013N1526 512MB DDR-DRAM
 001021208 32MB Flash Card
 001021209 64MB Flash Card
 001021243 Japanese Font Card
 001021240 Korean Font Card
 001021241 Simplified Chinese Font Card
 001021242 Traditional Chinese Font Card

Part # Hard disk
0013N1530 40+ GB Hard Disk

Part # Application Cards / SIMMs
 0021Z0364 C935 Card for IPDS and SCS/TNe
 0021Z0366 Lexmark PrintCrypton Card for the Lexmark C935
 0021Z0363 C935 Bar Code and Forms Card

Part # Connectivity
001021231 Parallel (10) Cable

001021294 USB (2 Meter) Cable
 001021092 RS-232C Serial Interface Card
 001021091 Parallel 1284-B Interface Card
 0014T0155 Lexmark N4050e 802.11g Wireless Print Server
 0014S0210 MarkNet N8050 802.11g Wireless Print Server
 0014S0220 MarkNet N8030 Fiber Ethernet 100BaseFX, 10BaseFL
 0014T0220 MarkNet™ N7020e Gigabit Ethernet Print Server

Part # Extended Warranties
 002349440 1 Year OnSite Repair Extended Guarantee
 002349441 2 Year OnSite Repair Extended Guarantee
 002349442 3 Year OnSite Repair Extended Guarantee
 002349444 1 Year Renewal OnSite Repair Guarantee

Part # Service Parts
 0040X4031 C935, X940e, X945e Maintenance Kit, 100K, 110V
 0040X4093 C935, X940e, X945e Maintenance Kit, 100K, 220V
 0040X4032 C935, X940e, X945e Maintenance Kit, 600K



Lexmark C935dtn

Brilliant A3 colour printing with full format support

Print Technology

Color Laser

Print Speed (A4, Black)

Up to 45 ppm

Print Speed (A4, Colour)

Up to 40 ppm

Print Speed (Letter, Black)

Up to 45 ppm

Print Speed (Letter, Colour)

Up to 40 ppm

Print Speed (A4, Black) Duplex

Up to 37 ppm

Print Speed (Letter, Black) Duplex

Up to 37 ppm

Time to First Page (Black)

As fast as 5 seconds

Time to First Page (Colour)

As fast as 9 seconds

Print Resolution, Black

2400 Image Quality

Print Resolution, Colour

2400 Image Quality

Memory, Standard

512 MB

Memory, Maximum

1024MB (replacement required)

Expandable Memory Options

Yes

Apple Macintosh Operating Systems Supported

Mac OS X, Mac OS 9.x, Mac OS X (10.4 Intel), Mac OS X (10.4 Power PC)

Citrix MetaFrame

Microsoft Windows 2000 Server running Terminal Services with Citrix MetaFrame XP Presentation Server or Citrix MetaFrame Presentation Server 3.0., Microsoft Windows Server 2003 running Terminal Services with Citrix MetaFrame XP Presentation Server or Citrix MetaFrame Presentation Server 3.0, Microsoft Windows 2000 Server running Terminal Services with Citrix Presentation Server 4.0, Microsoft Windows Server 2003 running Terminal Services with Citrix Presentation Server 4.0, Microsoft Windows Server 2003 x64 running Terminal Services with Citrix Presentation Server 4.0

Linux Operating Systems Supported

Red Hat Linux Desktop 4.0, 5.0, Linpus Linux Desktop 9.2, 9.3, Red Hat Enterprise Linux WS 3.0, 4.0, 5.0, SUSE Linux Enterprise Server 8.0, 9.0, 10.0, Debian GNU/Linux 3.1, 4.0, Inspire Linux 5.0, SUSE Linux 10.0, 10.1, 10.2

Microsoft Windows Operating Systems Supported

2000, NT (4.00/4.00 Server), XP, Server 2003, XP x64, Server 2003 running Terminal Services, 2000 Server running Terminal Services, Server 2003 x64, Server 2003 x64 running Terminal Services, Vista, Vista x64

Novell Operating Systems Supported

Open Enterprise Server for Netware with NDS, iPrint or Novell Distributed Print Services (NDPS), NetWare® 3.2, 4.2 (bindery), NetWare 4.2, 5.x and 6.x (NDS),

NetWare 5.x, 6.x with iPrint or Novell Distributed Print Services (NDPS)

UNIX Operating Systems Supported

Sun Solaris SPARC 8, 9, 10, HP-UX 11.00, 11.1, IBM AIX 5.1, 5.2, 5.3, Sun Solaris x86 10

Other Operating Systems Supported

IBM iSeries or IBM AS/400® Systems with TCP/IP with OS/400® V3R1 or later using OS/400 Host Print Transform, Virtually any platform supporting TCP/IP

Paper Handling Standard

Integrated Duplex, 100-Sheet Multipurpose Feeder, 520-Sheet Input Tray, 520-Sheet Drawer Stand with Cabinet

Paper Handling Optional

3,500-Sheet Finisher, Booklet Finisher

Paper Input Capacity, Standard

1140 pages 20 lb or 75 gsm bond

Paper Input Capacity, Maximum

1140 pages 20 lb or 75 gsm bond

Paper Output Capacity, Standard

400 pages 20 lb or 75 gsm bond

Paper Output Capacity, Maximum

3500 pages 20 lb or 75 gsm bond

Finishing Option

Yes

Number of Paper Inputs, Standard

3

Number of Paper Inputs, Maximum

3

Media Types Supported

Card Stock, Envelopes, Glossy paper, Paper Labels, Plain Paper, Transparencies, Refer to the Card Stock & Label Guide

Media Sizes Supported

10 Envelope, A3, A4, A5, C5 Envelope, DL Envelope, Executive, Folio, JIS-B4, JIS-B5, Ledger, Legal, Letter, Statement, Universal

Connectivity (standard)

One Internal Card Slot, USB Direct interface on Operator Panel, Gigabit Ethernet (10/100/1000), Hi-Speed USB

Connectivity (optional)

Lexmark N4050e 802.11g Wireless Print Server (Print Only), Internal MarkNet™ N8050 802.11g Wireless, Internal MarkNet™ N8030 Fiber Fast Ethernet

Network Printing Methods

LPR/LPD, Direct IP (Port 9100), Socket (Raw TCP/IP), IPP (Internet Printing Protocol), HTTP, NDS Queue-based Printing, NDPS/NEPS (Novell Distributed Print Services), Novell Netware Enterprise Print Services, Enhanced IP (Port 9400), FTP, TFTP, IPP 1.1 (Internet Printing Protocol)

Network Protocol Support

TCP/IP IPv4, IPX/SPX, AppleTalk™, LexLink (DLC), TCP/IP IPv6

Network Security

SSL* Enabled Embedded Web Server (HTTPS), SNMPv3,

TCP/IP port access control, Authenticated and encrypted MarkVision Professional communication, 802.1x

Authentication: MDS, MSCHAPv2, LEAP, PEAP, TLS, TTLS, IPsec, *This product includes software developed by the OpenSSL Project for use in the OpenSSL Toolkit.

Printable Area

4.0 mm of the top, bottom, right and left edges (within)

Printable Area

0.158 inches of the top, bottom, right and left edges (within)

Printer Languages (Standard)

PCL 5c Emulation, PCL 6 Emulation, PPDs, PostScript 3 Emulation, xHTML, PDF 1.6, Direct Image

Supplies Yield

Average continuous black or continuous composite CMY declared cartridge yield up to this number of standard pages in accordance with ISO/IEC 19798., 24,000-page colour (CMY) Toner Cartridges, 38,000*-page Black Toner Cartridge, Ships with 13,000*-page black and 12,000* page colour Toner Cartridges

Packaged Size (mm - H x W x D)

1050 x 900 x 760 mm

Packaged Size (in. - H x W x D)

41.3 x 35.4 x 29.9 in.

Size (mm - H x W x D)

854 x 650 x 710 mm

Size (in. - H x W x D)

33.6 x 25.6 x 28.0 in.

Size, Trays Extended (mm - H x W x D)

866 x 975 x 710 mm

Size, Trays Extended (in. - H x W x D)

34.1 x 38.4 x 28.0 in.

Weight (kg)

114.3 kg

Weight (lb.)

252 lb.

Acoustics/Noise level (Idle mode)

34 dBA

Acoustics/Noise level (Operating mode)

55 dBA

Product Guarantee

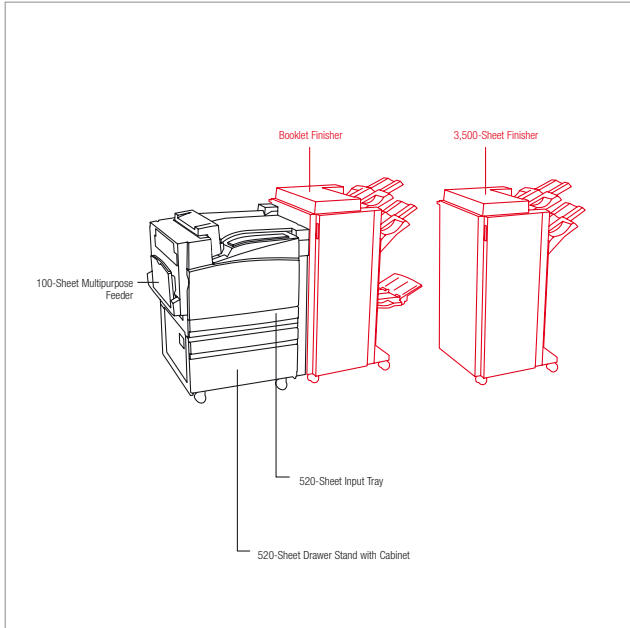
One Year Onsite Repair

Product Certifications

Energy Star, CSA, ICES Class A, BSMI Class A, VCCI Class A, FCC Class A, UL 60950-1, IEC 60320, CE Class A, CB IEC 60950-1, IEC 60825-1, CISPR 22 Class A, GS (TÜV), SEMKO, UL AR, CS, TÜV Rh, A-tick mark Class A, CCC Class A

Specified Operating Environment

Temperature: 16 to 32°C (60 to 90°F), Humidity: 8 to 80% Relative Humidity, Altitude: 0 - 2500 Meters (8,200 Feet)



Paper Handling Standard
 Paper Handling Optional

Part # Model
0021Z0169 Lexmark C935dtn

Part # Laser Toner/Print Cartridge
 0C930H2KG C935 Black High Yield Toner Cartridge
 0C930H2CG C935 Cyan High Yield Toner Cartridge
 0C930H2MG C935 Magenta High Yield Toner Cartridge
 0C930H2YG C935 Yellow High Yield Toner Cartridge
 0C930X73G C935, X940e, X945e CMY Photoconductor Unit 3-Pack
 0C930X72G C935, X940e, X945e Black Photoconductor Unit 1-Pack
 0C930X76G C935, X940e, X945e Waste Toner Bottle
 0025A0013 Staple Cartridges (3 pack)
 0021Z0357 Saddle Staple Cartridges (4 pack)

Part # Paper & Transparencies
 0012A5951 Glossy Laser Paper, A4 (200)
 0012A8241 Professional Colour Laser Transparencies, A4
 0012A5950 Glossy Laser Paper, Letter (200)

Part # Paper Handling
 0021Z0310 C935, X940e, X945e 3500-Sheet Finisher (4-Hole)
 0021Z0311 C935, X940e, X945e Booklet Finisher (4-Hole)

Part # Flash, SDRAM Memory
 0013N1523 128MB DDR-DRAM
 0013N1524 256MB DDR-DRAM
 0013N1526 512MB DDR-DRAM
 001021208 32MB Flash Card
 001021209 64MB Flash Card
 001021243 Japanese Font Card
 001021240 Korean Font Card
 001021241 Simplified Chinese Font Card
 001021242 Traditional Chinese Font Card

Part # Hard disk
0013N1530 40+ GB Hard Disk

Part # Application Cards / SIMMs
 0021Z0364 C935 Card for IPDS and SCS/TNe
 0021Z0366 Lexmark Print/Cryption Card for the Lexmark C935
 0021Z0363 C935 Bar Code and Forms Card

Part # Connectivity
 001021231 Parallel (10') Cable
 001021294 USB (2 Meter) Cable
 001021092 RS-232C Serial Interface Card
 001021091 Parallel 1284-B Interface Card
 0014T0155 Lexmark N4050e 802.11g Wireless Print Server
 0014S0210 MarkNet N8050 802.11g Wireless Print Server
 0014S0220 MarkNet N8030 Fiber Ethernet 100BaseFX, 10BaseFL

0014T0220 MarkNet™ N7020e Gigabit Ethernet Print Server

Part # Extended Warranties
 002349440 1 Year OnSite Repair Extended Guarantee
 002349441 2 Year OnSite Repair Extended Guarantee
 002349442 3 Year OnSite Repair Extended Guarantee
 002349444 1 Year Renewal OnSite Repair Guarantee

Part # Service Parts
 0040X4031 C935, X940e, X945e Maintenance Kit, 100K, 110V
 0040X4093 C935, X940e, X945e Maintenance Kit, 100K, 220V
 0040X4032 C935, X940e, X945e Maintenance Kit, 600K



Lexmark C935dttm

Brilliant colour for all your wide-format printing needs!

Print Technology

Color Laser

Print Speed (A4, Black)

Up to 45 ppm

Print Speed (A4, Colour)

Up to 40 ppm

Print Speed (Letter, Black)

Up to 45 ppm

Print Speed (Letter, Colour)

Up to 40 ppm

Print Speed (A4, Black) Duplex

Up to 37 ppm

Print Speed (Letter, Black) Duplex

Up to 37 ppm

Time to First Page (Black)

As fast as 5 seconds

Time to First Page (Colour)

As fast as 9 seconds

Print Resolution, Black

2400 Image Quality

Print Resolution, Colour

2400 Image Quality

Memory, Standard

512 MB

Memory, Maximum

1024 MB

Expandable Memory Options

Yes

Apple Macintosh Operating Systems Supported

Mac OS X, Mac OS 9.x, Mac OS X (10.4 Intel), Mac OS X (10.4 Power PC)

Citrix MetaFrame

Microsoft Windows 2000 Server running Terminal Services with Citrix MetaFrame XP Presentation Server or Citrix MetaFrame Presentation Server 3.0., Microsoft Windows Server 2003 running Terminal Services with Citrix MetaFrame XP Presentation Server or Citrix MetaFrame Presentation Server 3.0, Microsoft Windows 2000 Server running Terminal Services with Citrix Presentation Server 4.0, Microsoft Windows Server 2003 running Terminal Services with Citrix Presentation Server 4.0, Microsoft Windows Server 2003 x64 running Terminal Services with Citrix Presentation Server 4.0

Linux Operating Systems Supported

Red Hat Linux Desktop 4.0, 5.0, Linpus Linux Desktop 9.2, 9.3, Red Hat Enterprise Linux WS 3.0, 4.0, 5.0, SUSE Linux Enterprise Server 8.0, 9.0, 10.0, Debian GNU/Linux 3.1, 4.0, Inspire Linux 5.0, SUSE Linux 10.0, 10.1, 10.2

Microsoft Windows Operating Systems Supported

2000, NT (4.00/4.00 Server), XP, Server 2003, XP x64, Server 2003 running Terminal Services, 2000 Server running Terminal Services, Server 2003 x64, Server 2003 x64 running Terminal Services, Vista, Vista x64

Novell Operating Systems Supported

Open Enterprise Server for Netware with NDS, iPrint or Novell Distributed Print Services (NDPS), NetWare® 3.2, 4.2 (bindery), NetWare 4.2, 5.x and 6.x (NDS),

NetWare 5.x, 6.x with iPrint or Novell Distributed Print Services (NDPS)

UNIX Operating Systems Supported

Sun Solaris SPARC 8, 9, 10, HP-UX 11.00, 11.1, IBM AIX 5.1, 5.2, 5.3, Sun Solaris x86 10

Other Operating Systems Supported

IBM iSeries or IBM AS/400® Systems with TCP/IP with OS/400® V3R1 or later using OS/400 Host Print Transform, Virtually any platform supporting TCP/IP

Paper Handling Standard

Integrated Duplex, 100-Sheet Multipurpose Feeder, 520-Sheet Input Tray, 2520-Sheet High Capacity Feeder Stand

Paper Handling Optional

3,500-Sheet Finisher, Booklet Finisher

Paper Input Capacity, Standard

3140 pages 20 lb or 75 gsm bond

Paper Input Capacity, Maximum

3140 pages 20 lb or 75 gsm bond

Paper Output Capacity, Standard

400 pages 20 lb or 75 gsm bond

Paper Output Capacity, Maximum

3500 pages 20 lb or 75 gsm bond

Finishing Option

Yes

Number of Paper Inputs, Standard

5

Number of Paper Inputs, Maximum

5

Media Types Supported

Card Stock, Envelopes, Glossy paper, Paper Labels, Plain Paper, Transparencies, Refer to the Card Stock & Label Guide

Media Sizes Supported

10 Envelope, A3, A4, A5, C5 Envelope, DL Envelope, Executive, Folio, JIS-B4, JIS-B5, Ledger, Legal, Letter, Statement, Universal

Connectivity (standard)

One Internal Card Slot, USB Direct interface on Operator Panel, Gigabit Ethernet (10/100/1000), Hi-Speed USB

Connectivity (optional)

Lexmark N4050e 802.11g Wireless Print Server (Print Only), Internal MarkNet™ N8050 802.11g Wireless, Internal MarkNet™ N8030 Fiber Fast Ethernet

Network Printing Methods

LPR/LPD, Direct IP (Port 9100), Socket (Raw TCP/IP), IPP (Internet Printing Protocol), HTTP, NDS Queue-based Printing, NDPS/NEPS (Novell Distributed Print Services), Novell Netware Enterprise Print Services, Enhanced IP (Port 9400), FTP, TFTP, IPP 1.1 (Internet Printing Protocol)

Network Protocol Support

TCP/IP IPv4, IPX/SPX, AppleTalk™, LexLink (DLC), TCP/IP IPv6

Network Security

SSL* Enabled Embedded Web Server (HTTPS), SNMPv3,

TCP/IP port access control, Authenticated and encrypted MarkVision Professional communication, 802.1x

Authentication: MDS, MSCHAPv2, LEAP, PEAP, TLS, TTLS, IPsec, *This product includes software developed by the OpenSSL Project for use in the OpenSSL Toolkit.

Printable Area

4.0 mm of the top, bottom, right and left edges (within)

Printable Area

0.158 inches of the top, bottom, right and left edges (within)

Printer Languages (Standard)

PCL 5c Emulation, PCL 6 Emulation, PPDS, PostScript 3 Emulation, xHTML, PDF 1.6, Direct Image

Supplies Yield

Average continuous black or continuous composite CMY declared cartridge yield up to this number of standard pages in accordance with ISO/IEC 19798., 24,000-page colour (CMY) Toner Cartridges, 38,000*-page Black Toner Cartridge, Ships with 13,000*-page black and 12,000* page colour Toner Cartridges

Packaged Size (mm - H x W x D)

1050 x 900 x 760 mm

Packaged Size (in. - H x W x D)

41.3 x 35.4 x 29.9 in.

Size (mm - H x W x D)

854 x 650 x 710 mm

Size (in. - H x W x D)

33.6 x 25.6 x 28.0 in.

Size, Trays Extended (mm - H x W x D)

866 x 975 x 710 mm

Size, Trays Extended (in. - H x W x D)

34.1 x 38.4 x 28.0 in.

Weight (kg)

130.2 kg

Weight (lb.)

287 lb.

Acoustics/Noise level (Idle mode)

34 dBA

Acoustics/Noise level (Operating mode)

55 dBA

Product Guarantee

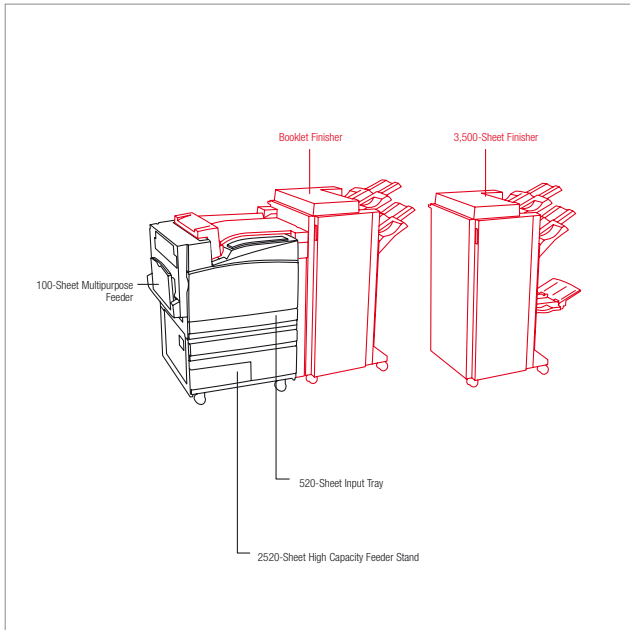
One Year Onsite Repair

Product Certifications

Energy Star, CSA, ICES Class A, BSMI Class A, VCCI Class A, FCC Class A, UL 60950-1, IEC 60320, CE Class A, CB IEC 60950-1, IEC 60825-1, CISPR 22 Class A, GS (TÜV), SEMKO, UL AR, CS, TÜV Rh, A-tick mark Class A, CCC Class A

Specified Operating Environment

Temperature: 16 to 32°C (60 to 90°F), Humidity: 8 to 80% Relative Humidity, Altitude: 0 - 2500 Meters (8,200 Feet)



Paper Handling Standard
 Paper Handling Optional

Part #	Model
0021Z0271	Lexmark C935dtn

Part #	Laser Toner/Print Cartridge
0C930H2KG	C935 Black High Yield Toner Cartridge
0C930H2CG	C935 Cyan High Yield Toner Cartridge
0C930H2MG	C935 Magenta High Yield Toner Cartridge
0C930H2YG	C935 Yellow High Yield Toner Cartridge
0C930X73G	C935, X940e, X945e CMY Photoconductor Unit 3-Pack
0C930X72G	C935, X940e, X945e Black Photoconductor Unit 1-Pack
0C930X76G	C935, X940e, X945e Waste Toner Bottle
0025A0013	Staple Cartridges (3 pack)
0021Z0357	Saddle Staple Cartridges (4 pack)

Part #	Paper & Transparencies
0012A5951	Glossy Laser Paper, A4 (200)
0012A8241	Professional Colour Laser Transparencies, A4
0012A5950	Glossy Laser Paper, Letter (200)

Part #	Paper Handling
0021Z0310	C935, X940e, X945e 3500-Sheet Finisher (4-Hole)
0021Z0311	C935, X940e, X945e Booklet Finisher (4-Hole)

Part #	Flash, SDRAM Memory
0013N1523	128MB DDR-DRAM
0013N1524	256MB DDR-DRAM
0013N1526	512MB DDR-DRAM
001021203	32MB Flash Card
001021209	64MB Flash Card
001021243	Japanese Font Card
001021240	Korean Font Card
001021241	Simplified Chinese Font Card
001021242	Traditional Chinese Font Card

Part #	Hard disk
0013N1530	40+ GB Hard Disk

Part #	Application Cards / SIMMs
0021Z0364	C935 Card for IPDS and SCS/TNe
0021Z0366	Lexmark Print/Cryption Card for the Lexmark C935
0021Z0363	C935 Bar Code and Forms Card

Part #	Connectivity
001021231	Parallel (10') Cable
001021294	USB (2 Meter) Cable
001021092	RS-232C Serial Interface Card
001021091	Parallel 1284-B Interface Card
0014T0155	Lexmark N4050e 802.11g Wireless Print Server
0014S0210	MarkNet N8050 802.11g Wireless Print Server
0014S0220	MarkNet N8030 Fiber Ethernet 100BaseFX, 10BaseFL

0014T0220	MarkNet™ N7020e Gigabit Ethernet Print Server
-----------	---

Part #	Extended Warranties
002349440	1 Year OnSite Repair Extended Guarantee
002349441	2 Year OnSite Repair Extended Guarantee
002349442	3 Year OnSite Repair Extended Guarantee
002349444	1 Year Renewal OnSite Repair Guarantee

Part #	Service Parts
0040X4031	C935, X940e, X945e Maintenance Kit, 100K, 110V
0040X4093	C935, X940e, X945e Maintenance Kit, 100K, 220V
0040X4032	C935, X940e, X945e Maintenance Kit, 600K



Lexmark C935hdn

Brilliant A3 colour printing with high paper and storage capacity

Print Technology

Color Laser

Print Speed (A4, Black)

Up to 45 ppm

Print Speed (A4, Colour)

Up to 40 ppm

Print Speed (Letter, Black)

Up to 45 ppm

Print Speed (Letter, Colour)

Up to 40 ppm

Print Speed (A4, Black) Duplex

Up to 37 ppm

Print Speed (Letter, Black) Duplex

Up to 37 ppm

Time to First Page (Black)

As fast as 5 seconds

Time to First Page (Colour)

As fast as 9 seconds

Print Resolution, Black

2400 Image Quality

Print Resolution, Colour

2400 Image Quality

Memory, Standard

512 MB

Memory, Maximum

1024MB (replacement required)

Expandable Memory Options

Yes

Apple Macintosh Operating Systems Supported

Mac OS X, Mac OS 9.x, Mac OS X (10.4 Intel), Mac OS X (10.4 Power PC)

Citrix MetaFrame

Microsoft Windows 2000 Server running Terminal Services with Citrix MetaFrame XP Presentation Server or Citrix MetaFrame Presentation Server 3.0., Microsoft Windows Server 2003 running Terminal Services with Citrix MetaFrame XP Presentation Server or Citrix MetaFrame Presentation Server 3.0, Microsoft Windows 2000 Server running Terminal Services with Citrix Presentation Server 4.0, Microsoft Windows Server 2003 running Terminal Services with Citrix Presentation Server 4.0, Microsoft Windows Server 2003 x64 running Terminal Services with Citrix Presentation Server 4.0

Linux Operating Systems Supported

Red Hat Linux Desktop 4.0, 5.0, Linpus Linux Desktop 9.2, 9.3, Red Hat Enterprise Linux WS 3.0, 4.0, 5.0, SUSE Linux Enterprise Server 8.0, 9.0, 10.0, Debian GNU/Linux 3.1, 4.0, Inspire Linux 5.0, SUSE Linux 10.0, 10.1, 10.2

Microsoft Windows Operating Systems Supported

2000, NT (4.00/4.00 Server), XP, Server 2003, XP x64, Server 2003 running Terminal Services, 2000 Server running Terminal Services, Server 2003 x64, Server 2003 x64 running Terminal Services, Vista, Vista x64

Novell Operating Systems Supported

Open Enterprise Server for Netware with NDS, iPrint or Novell Distributed Print Services (NDPS), NetWare® 3.2, 4.2 (bindery), NetWare 4.2, 5.x and 6.x (NDS),

NetWare 5.x, 6.x with iPrint or Novell Distributed Print Services (NDPS)

UNIX Operating Systems Supported

Sun Solaris SPARC 8, 9, 10, HP-UX 11.00, 11.1, IBM AIX 5.1, 5.2, 5.3, Sun Solaris x86 10

Other Operating Systems Supported

IBM iSeries or IBM AS/400® Systems with TCP/IP with OS/400® V3R1 or later using OS/400 Host Print Transform, Virtually any platform supporting TCP/IP

Paper Handling Standard

Integrated Duplex, 100-Sheet Multipurpose Feeder, 520-Sheet Input Tray, 3 x 520-Sheet Drawer Stand

Paper Handling Optional

3,500-Sheet Finisher, Booklet Finisher

Paper Input Capacity, Standard

2180 pages 20 lb or 75 gsm bond

Paper Input Capacity, Maximum

2180 pages 20 lb or 75 gsm bond

Paper Output Capacity, Standard

400 pages 20 lb or 75 gsm bond

Paper Output Capacity, Maximum

3500 pages 20 lb or 75 gsm bond

Finishing Option

Yes

Number of Paper Inputs, Standard

5

Number of Paper Inputs, Maximum

5

Media Types Supported

Card Stock, Envelopes, Glossy paper, Paper Labels, Plain Paper, Transparencies, Refer to the Card Stock & Label Guide

Media Sizes Supported

10 Envelope, A3, A4, A5, C5 Envelope, DL Envelope, Executive, Folio, JIS-B4, JIS-B5, Ledger, Legal, Letter, Statement, Universal

Connectivity (standard)

One Internal Card Slot, USB Direct interface on Operator Panel, Gigabit Ethernet (10/100/1000), Hi-Speed USB

Connectivity (optional)

Lexmark N4050e 802.11g Wireless Print Server (Print Only), Internal MarkNet™ N8050 802.11g Wireless, Internal MarkNet™ N8030 Fiber Fast Ethernet

Network Printing Methods

LPR/LPD, Direct IP (Port 9100), Socket (Raw TCP/IP), IPP (Internet Printing Protocol), HTTP, NDS Queue-based Printing, NDPS/NEPS (Novell Distributed Print Services), Novell Netware Enterprise Print Services, Enhanced IP (Port 9400), FTP, TFTP, IPP 1.1 (Internet Printing Protocol)

Network Protocol Support

TCP/IP IPv4, IPX/SPX, AppleTalk™, LexLink (DLC), TCP/IP IPv6

Network Security

SSL* Enabled Embedded Web Server (HTTPS), SNMPv3,

TCP/IP port access control, Authenticated and encrypted MarkVision Professional communication, 802.1x

Authentication: MDS, MSCHAPv2, LEAP, PEAP, TLS, TTLS, IPsec, *This product includes software developed by the OpenSSL Project for use in the OpenSSL Toolkit.

Printable Area

4.0 mm of the top, bottom, right and left edges (within)

Printable Area

0.158 inches of the top, bottom, right and left edges (within)

Printer Languages (Standard)

PCL 5c Emulation, PCL 6 Emulation, PPDs, PostScript 3 Emulation, xHTML, PDF 1.6, Direct Image

Supplies Yield

Average continuous black or continuous composite CMY declared cartridge yield up to this number of standard pages in accordance with ISO/IEC 19798., 24,000-page colour (CMY) Toner Cartridges, 38,000*-page Black Toner Cartridge, Ships with 13,000*-page black and 12,000* page colour Toner Cartridges

Packaged Size (mm - H x W x D)

1050 x 900 x 760 mm

Packaged Size (in. - H x W x D)

41.3 x 35.4 x 29.9 in.

Size (mm - H x W x D)

853 x 650 x 710 mm

Size (in. - H x W x D)

33.6 x 25.6 x 28.0 in.

Size, Trays Extended (mm - H x W x D)

866 x 975 x 710 mm

Size, Trays Extended (in. - H x W x D)

34.1 x 38.4 x 28.0 in.

Weight (kg)

121.1 kg

Weight (lb.)

267 lb.

Acoustics/Noise level (Idle mode)

34 dBA

Acoustics/Noise level (Operating mode)

55 dBA

Product Guarantee

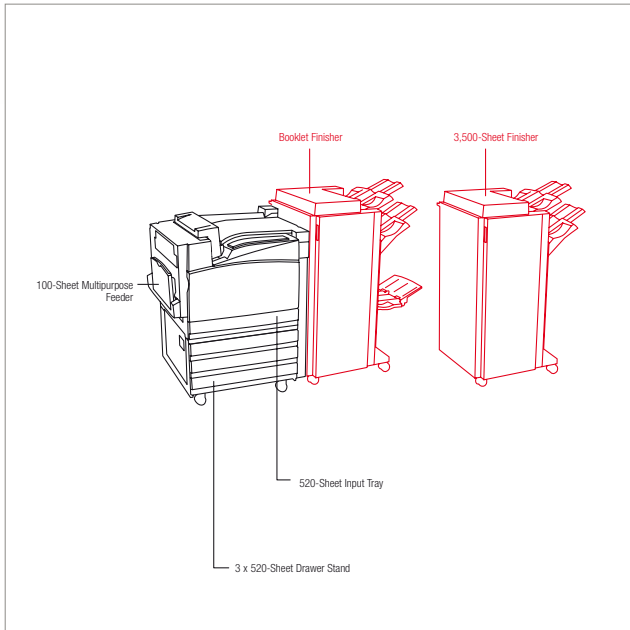
One Year Onsite Repair

Product Certifications

Energy Star, CSA, ICES Class A, BSMI Class A, VCCI Class A, FCC Class A, UL 60950-1, IEC 60320, CE Class A, CB IEC 60950-1, IEC 60825-1, CISPR 22 Class A, GS (TÜV), SEMKO, UL AR, CS, TÜV Rh, A-tick mark Class A, CCC Class A

Specified Operating Environment

Temperature: 16 to 32°C (60 to 90°F), Humidity: 8 to 80% Relative Humidity, Altitude: 0 - 2500 Meters (8,200 Feet)



Paper Handling Standard
 Paper Handling Optional

Part #	Model
0021Z0188	Lexmark C935hdn

Part #	Laser Toner/Print Cartridge
0C930H2KG	C935 Black High Yield Toner Cartridge
0C930H2CG	C935 Cyan High Yield Toner Cartridge
0C930H2MG	C935 Magenta High Yield Toner Cartridge
0C930H2YG	C935 Yellow High Yield Toner Cartridge
0C930X73G	C935, X940e, X945e CMY Photoconductor Unit 3-Pack
0C930X72G	C935, X940e, X945e Black Photoconductor Unit 1-Pack
0C930X76G	C935, X940e, X945e Waste Toner Bottle
0025A0013	Staple Cartridges (3 pack)
0021Z0357	Saddle Staple Cartridges (4 pack)

Part #	Paper & Transparencies
0012A5951	Glossy Laser Paper, A4 (200)
0012A8241	Professional Colour Laser Transparencies, A4
0012A5950	Glossy Laser Paper, Letter (200)

Part #	Paper Handling
0021Z0310	C935, X940e, X945e 3500-Sheet Finisher (4-Hole)
0021Z0311	C935, X940e, X945e Booklet Finisher (4-Hole)

Part #	Flash, SDRAM Memory
0013N1523	128MB DDR-DRAM
0013N1524	256MB DDR-DRAM
0013N1526	512MB DDR-DRAM
001021203	32MB Flash Card
001021209	64MB Flash Card
001021243	Japanese Font Card
001021240	Korean Font Card
001021241	Simplified Chinese Font Card
001021242	Traditional Chinese Font Card

Part #	Application Cards / SIMMs
0021Z0364	C935 Card for IPDS and SCS/TNe
0021Z0366	Lexmark PrintCrypton Card for the Lexmark C935
0021Z0363	C935 Bar Code and Forms Card

Part #	Connectivity
001021231	Parallel (10') Cable
001021294	USB (2 Meter) Cable
001021092	RS-232C Serial Interface Card
001021091	Parallel 1284-B Interface Card
0014T0155	Lexmark N4050e 802.11g Wireless Print Server
0014S0210	MarkNet N8050 802.11g Wireless Print Server
0014S0220	MarkNet N8030 Fiber Ethernet 100BaseFX, 10BaseFL
0014T0220	MarkNet™ N7020e Gigabit Ethernet Print Server

Part #	Extended Warranties
002349440	1 Year OnSite Repair Extended Guarantee

002349441	2 Year OnSite Repair Extended Guarantee
002349442	3 Year OnSite Repair Extended Guarantee
002349444	1 Year Renewal OnSite Repair Guarantee

Part #	Service Parts
0040X4031	C935, X940e, X945e Maintenance Kit, 100K, 110V
0040X4093	C935, X940e, X945e Maintenance Kit, 100K, 220V
0040X4032	C935, X940e, X945e Maintenance Kit, 600K

Lexmark Z1520



Wireless Colour Printer

Print Technology

Thermal Inkjet

Colour Technology

4 Colour Inkjet - Cyan, Magenta, Yellow, Black, Optional

6-Colour Photo Printing

Maximum Print Speed (Normal, Black)

Up to 10 ppm

Maximum Print Speed (Normal, Colour)

Up to 4 ppm

Maximum Print Speed (Draft, Black)

Up to 30 ppm

Maximum Print Speed (Draft, Colour)

Up to 27 ppm

Print Resolution, Black

Up to 1200 x 1200 dpi

Print Resolution, Colour

Up to 4800 x 1200 dpi

Weight (lb.)

10.5 lb.

Acoustics/Noise level (Operating mode)

< 50 dBA

Product Guarantee

One Year Replace

Product Certifications

Energy Star, FCC Class B, UL 60950 3rd Edition, CE Class

B, CB IEC 60950 IEC 60825-1, C-tick mark Class B, CCC

Class B, CSA, ICES Class B, GS (TÜV), SEMKO

Duty Cycle, Maximum

1500 pages per month

Print (ASF) Paper Input Capacity, Maximum

100 pages 20 lb or 75 gsm bond

Media Sizes Supported

10 Envelope, 7 3/4 Envelope, 9 Envelope, A4, A5, B5 Envelope, C5 Envelope, DL Envelope, 6 3/4 Envelope, A2 Baronial, A6 Card, B5, C6 Envelope, Custom, Hagaki Card, Index Card, Executive, Legal, Letter, 4 x 6", Statement, L, 2L, Chokey 3, Chokey 4, Chokey 40, Kakugata 3, Kakugata 4, Kakugata 5, Kakugata 6, 5 x 7", 13 x 18 cm, 10 x 15 cm, 10 x 20 cm, 4 x 8"

Media Types Supported

Card Stock, Envelopes, Glossy paper, Labels, Plain Paper, Transparencies, Banner (A4 or Letter), Hagaki Card, Iron-On Transfers, Photo Paper, Heavy Weight Matte Paper

Borderless Printing Media Sizes

4" x 6", A4, Letter, A6, Hagaki Card, L, 2L, A5, 5" x 7", Legal, 89 x 127 mm, 10 x 15 cm, 13 x 18 cm, B5, 10 x 20 cm, 4" x 8"

Operating Systems Supported

XP, OS X (10.3.0-10.3.x), XP Professional x64, Vista, OS X (10.4.4-10.4.x Intel), OS X (10.3.x-10.4.x Power PC), 2000 5.00.2195 or later, Vista x64

Connectivity (standard)

USB Compatible with USB 2.0 Specification, USB pass-through via PictBridge port, 802.11g Wireless

Packaged Size (mm - H x W x D)

221 x 379 x 580 mm

Packaged Size (in. - H x W x D)

8.7 x 14.9 x 22.8 in.

Size (mm - H x W x D)

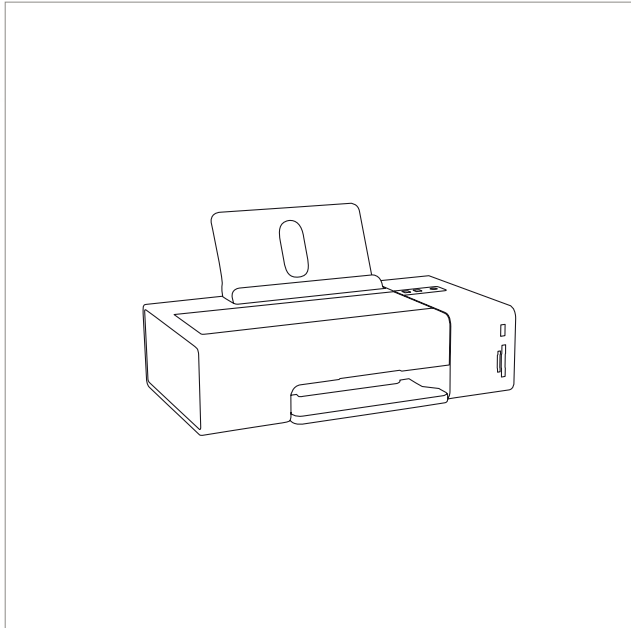
137 x 453 x 298 mm

Size (in. - H x W x D)

5.4 x 17.8 x 11.7 in.

Weight (kg)

4.77 kg

**Part # Model**

0011D1001 Lexmark Z1520

Part # Inkjet Ink/Print Cartridge

018Y0141E #41 Color Return Program Print Cartridge
018Y0142E #42 Black Return Program Print Cartridge
018Y0341E #41A Color Print Cartridge
018Y0342E #42A Black Print Cartridge
018Y0144E #44 Black Print Cartridge
018Y0340E #40 Photo Print Cartridge
018YX143E #43 Color Print Cartridge

Part # Paper & Transparencies

0019Y0200 PerfectFinish™ Photo Paper, 10x15 cm (100)
0019Y0190 PerfectFinish™ Photo Paper, 10x15 cm (50)
0019Y0205 PerfectFinish™ Photo Paper A4

Part # Connectivity

001021294 USB (2 Meter) Cable

Lexmark Z2320



Compact fast, sharp, and reliable
desktop printer

Print Technology

Thermal Inkjet

Colour Technology

4 Colour Inkjet - Cyan, Magenta, Yellow, Black, Optional
6-Colour Photo Printing

Maximum Print Speed (Normal, Black)

Up to 12 ppm

Maximum Print Speed (Normal, Colour)

Up to 3 ppm

Maximum Print Speed (Draft, Black)

Up to 22 ppm

Maximum Print Speed (Draft, Colour)

Up to 16 ppm

Print Resolution, Black

Up to 1200 x 1200 dpi

Print Resolution, Colour

Up to 4800 x 1200 dpi

Weight (lb.)

5.4 lb.

Acoustics/Noise level (Operating mode)

< 53 dBA

Product Guarantee

1 year On Site Replacement

Product Certifications

FCC Class B, UL 60950 3rd Edition, CE Class B, CB IEC
60950 IEC 60825-1, C-tick mark Class B, CCC Class B,
CSA, ICES Class B, GS (TUV), SEMKO

Duty Cycle, Maximum

3000 pages per month

Print (ASF) Paper Input Capacity, Maximum

100 pages 20 lb or 75 gsm bond

Media Sizes Supported

10 Envelope, 7 3/4 Envelope, 9 Envelope, A4, A5, B5
Envelope, C5 Envelope, DL Envelope, 6 3/4 Envelope,
A2 Baronial, A6 Card, B5, C6 Envelope, Custom,
Hagaki Card, Index Card, Executive, Legal, Letter, 4 x
6", Statement, L, 2L, Choikei 3, Choikei 4, Choikei 40,
Kakugata 3, Kakugata 4, Kakugata 5, Kakugata 6, 5 x 7",
13 x 18 cm, 10 x 15 cm, 10 x 20 cm, 4 x 8"

Media Types Supported

Card Stock, Coated Paper, Envelopes, Glossy paper,
Labels, Plain Paper, Transparencies, Hagaki Card, Iron-On
Transfers, Photo Paper

Borderless Printing Media Sizes

4" x 6", A4, Letter, A6, Hagaki Card, L, 2L, A5, 5" x 7",
Legal, 89 x 127 mm, 10 x 15 cm, 13 x 18 cm, B5, 10
x 20 cm, 4" x 8"

Operating Systems Supported

XP, XP Professional x64, Vista, 2000 5.00.2195 or later,
Vista x64, OS X (10.4.4-10.5.x Intel, PowerPC), OS X
(10.3.9 Power PC)

Connectivity (standard)

USB Compatible with USB 2.0 Specification

Packaged Size (mm - H x W x D)

279 x 488 x 175 mm

Packaged Size (in. - H x W x D)

10.98 x 19.21 x 6.89 in.

Size (mm - H x W x D)

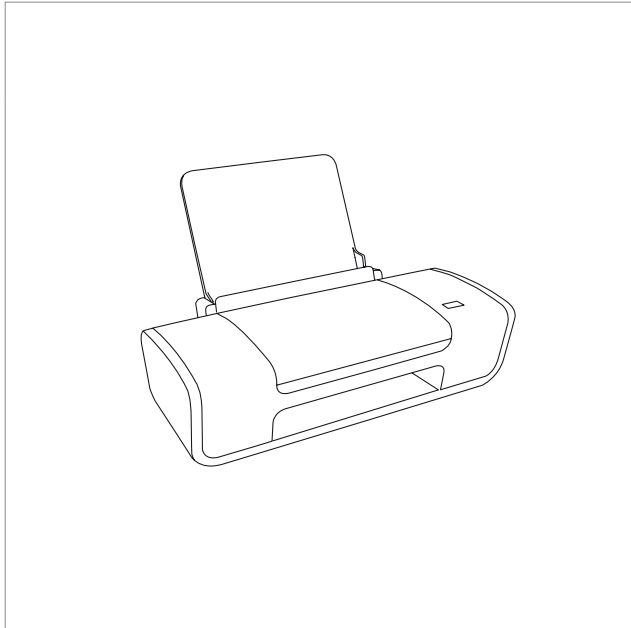
125 x 432 x 215 mm

Size (in. - H x W x D)

4.9 x 17.0 x 8.5 in.

Weight (kg)

2.4 kg



Part #	Model
0023D0703	Lexmark Z2320

Part #	Inkjet Ink/Print Cartridge
018C2090E	#14 Black Return Program Print Cartridge
018C2110E	#15 Color Return Program Print Cartridge
018C2080E	#14 Black Print Cartridge
018C2100E	#15A Colour Print Cartridge
018C0031E	#31 / 18C0031E Photo Color Print Cartridge

Part #	Paper & Transparencies
0021G0710	Premium Glossy Photo Paper - Photo Size 10x15
0021G0711	Premium Glossy Photo Paper - Photo Size 10x15
0080D1707	Premium Photo iPaper A4 (15)
0021G0709	Premium Glossy Photo Paper A4
0080D1706	Photo Paper A4 (20)
0021G0708	Photo Paper A4 Size
0080D1903	Photo Paper A4-size, 10 x 15 cm Premium Photo Paper (20-sheets of
0080D1893	Premium Photo Paper A4 (2 x 15-sheet pack)

Part #	Connectivity
001021294	USB (2 Meter) Cable

Lexmark Z2420



Wireless Laptop Printer

Print Technology

Thermal Inkjet

Colour Technology

4 Colour Inkjet - Cyan, Magenta, Yellow, Black, Optional

6-Colour Photo Printing

Maximum Print Speed (Normal, Black)

Up to 12 ppm

Maximum Print Speed (Normal, Colour)

Up to 3 ppm

Maximum Print Speed (Draft, Black)

Up to 25 ppm

Maximum Print Speed (Draft, Colour)

Up to 18 ppm

Print Resolution, Black

Up to 1200 x 1200 dpi

Print Resolution, Colour

Up to 4800 x 1200 dpi

Weight (lb.)

5.95 lb.

Acoustics/Noise level (Operating mode)

< 52 dBA

Product Guarantee

3 year guarantee upon registration

Product Certifications

Energy Star, FCC Class B, UL 60950 1st Edition, CE Class

B, CB IEC 60950 IEC 60825-1, C-tick mark Class B, CCC

Class B, CSA, ICES Class B, GS (TÜV), SEMKO

Duty Cycle, Maximum

3000 pages per month

Print (ASF) Paper Input Capacity, Maximum

100 pages 20 lb or 75 gsm bond

Media Sizes Supported

10 Envelope, 7 3/4 Envelope, 9 Envelope, A4, A5, B5 Envelope, C5 Envelope, DL Envelope, 6 3/4 Envelope, A2 Baronial, A6 Card, B5, C6 Envelope, Custom, Hagaki Card, Index Card, Executive, Legal, Letter, 4 x 6", Statement, L, 2L, Choikei 3, Choikei 4, Choikei 40, Kakugata 3, Kakugata 4, Kakugata 5, Kakugata 6, 5 x 7", 13 x 18 cm, 10 x 15 cm, 10 x 20 cm, 4 x 8"

Media Types Supported

Card Stock, Coated Paper, Envelopes, Glossy paper, Labels, Plain Paper, Transparencies, Banner (A4 or Letter), Hagaki Card, Iron-On Transfers, Photo Paper

Borderless Printing Media Sizes

4" x 6", A4, Letter, A6, Hagaki Card, L, 2L, A5, 5" x 7", 89 x 127 mm, 10 x 15 cm, 13 x 18 cm, B5, 10 x 20 cm, 4" x 8"

Operating Systems Supported

XP, XP Professional x64, Vista, 2000 5.00.2195 or later, Vista x64, OS X (10.4.4-10.5.x Intel, PowerPC), OS X (10.3.9 Power PC)

Connectivity (standard)

USB Compatible with USB 2.0 Specification, 802.11g/b

Wireless

Packaged Size (mm - H x W x D)

296 x 517 x 185 mm

Packaged Size (in. - H x W x D)

11.65 x 20.35 x 7.28 in.

Size (mm - H x W x D)

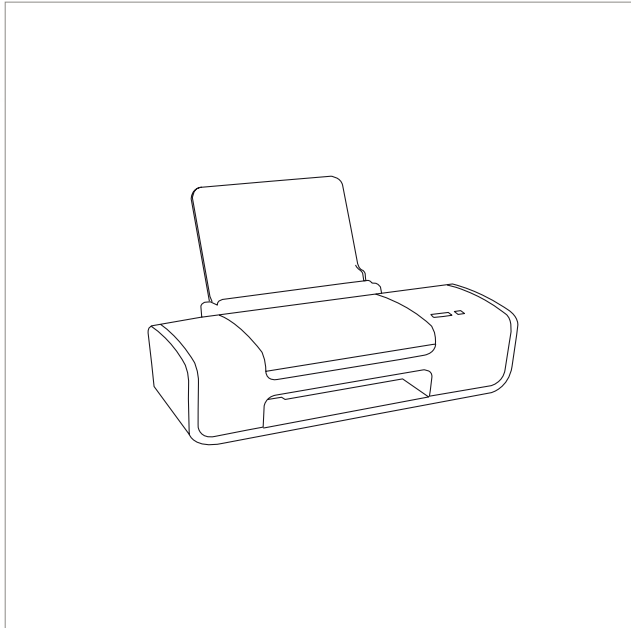
125 x 458 x 228 mm

Size (in. - H x W x D)

4.9 x 18.0 x 9.0 in.

Weight (kg)

2.7 kg



Part #	Model
0013L0703	Lexmark Z2420

Part #	Inkjet Ink/Print Cartridge
018C2130E	#36 Black Return Program Print Cartridge
018C2170E	#36XL Black Return Program Print Cartridge
018C2140E	#37 Color Return Program Print Cartridge
018C2180E	#37XL Color Return Program Print Cartridge
018C2150E	#36 Black Print Cartridge
018C2190E	#36LA Black Print Cartridge
018C2160E	#37A Colour Print Cartridge
018C2200E	#37LA Colour Print Cartridge
018C0031E	#31 / 18C0031E Photo Color Print Cartridge

Part #	Paper & Transparencies
0021G0710	Premium Glossy Photo Paper - Photo Size 10x15
0021G0711	Premium Glossy Photo Paper - Photo Size 10x15
0080D1707	Premium Photo IPaper A4 (15)
0021G0709	Premium Glossy Photo Paper A4
0080D1706	Photo Paper A4 (20)
0021G0708	Photo Paper A4 Size
0080D1903	Photo Paper A4-size, 10 x 15 cm Premium Photo Paper (20-sheets of
0080D1893	Premium Photo Paper A4 (2 x 15-sheet pack)

Part #	Connectivity
001021294	USB (2 Meter) Cable

Lexmark P350



Portable Photo Printer

Print Technology

Thermal Inkjet

Color Technology

3 Color Inkjet - Cyan, Magenta, Yellow

Print Resolution, Color

Up to 4800 x 1200 dpi

Media Sizes Supported

A6 Card, Hagaki Card, 4 x 6", L, 10 x 15 cm, 10 x 20 cm, 4 x 8"

Media Types Supported

Photo Paper

Borderless Printing Media Sizes

4" x 6", A6, Hagaki Card, L, 89 x 127 mm, 10 x 15 cm, 10 x 20 cm, 4" x 8"

Operating Systems Supported

2000, XP, OS X (10.3.0-10.3.x), OS X (10.4.0-10.4.x), XP Professional x64, Vista, Vista x64

Connectivity (standard)

USB 2.0 Specification Hi-Speed Certified, PictBridge Certified Port

Packaged Size (mm - H x W x D)

197 x 331 x 195 mm

Packaged Size (" - H x W x D)

7.75 x 13 x 7.7"

Size (mm - H x W x D)

127 x 235 x 147 mm

Size (" - H x W x D)

5 x 9.2 x 5.8"

Weight (kg)

1.84 kg

Weight (lbs)

4.1 lbs.

Acoustics/Noise level (Operating mode)

44 dBA

Product Guarantee

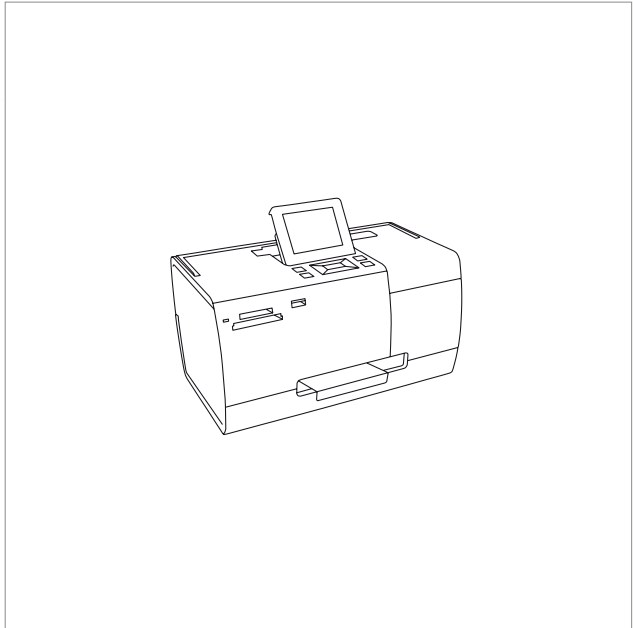
One year replacement, 3-5 business days response time

Product Certifications

Energy Star, FCC Class B, UL 60950 3rd Edition, CE Class B, CB IEC 60950 IEC 60825-1, C-tick mark Class B, CCC Class B, CSA, ICES Class B, GS (TÜV), SEMKO

Duty Cycle, Maximum

125 Pages per month



Part #	Model
0022W0000	Lexmark P350
Part #	Paper & Transparencies
018Y0146E	Lexmark P350 Photo Kit

Lexmark X2550



The Lexmark™ X2550 All-in-One with great speed and performance.

Print Technology

Thermal Inkjet

Colour Technology

4 Colour Inkjet - Cyan, Magenta, Yellow, Black, Optional

6-Colour Photo Printing

Scan Technology

CIS with 36 bit depth

Function

Color Copying, Color Printing, Color Scanning

Maximum Print Speed (Normal, Black)

Up to 14 ppm

Maximum Print Speed (Normal, Colour)

Up to 3 ppm

Maximum Print Speed (Draft, Black)

Up to 22 ppm

Maximum Print Speed (Draft, Colour)

Up to 16 ppm

Maximum Copy Speed (Normal, Black)

Up to N/A cpm

Maximum Copy Speed (Normal, Colour)

Up to N/A cpm

Maximum Copy Speed (Draft, Black)

Up to N/A cpm

Maximum Copy Speed (Draft, Colour)

Up to N/A cpm

Time to First Copy (Colour, Draft) as fast as

N/A

Time to First Copy (Colour, Normal) as fast as

67 seconds

Time to First Copy (Black, Normal) as fast as

16 seconds

Time to First Copy (Black, Draft) as fast as

N/A

Print Resolution, Black

Up to 1200 x 1200 dpi

Print Resolution, Colour

Up to 4800 x 1200 dpi

Scan Resolution, Enhanced

up to 19200 dpi

Scan Resolution, Optical

600 x 1200 dpi

Operating Systems Supported

XP, XP Professional x64, Vista, OS X (10.4.4-10.4.x Intel), OS X (10.3.x-10.4.x Power PC), 2000 5.00.2195 or later

Print (ASF) Paper Input Capacity, Maximum

100 pages 20 lb or 75 gsm bond

Media Types Supported

Card Stock, Envelopes, Labels, Plain Paper, Transparencies, Banner (A4 or Letter), Hagaki Card, Index Card (3"x5"), Photo Paper

Media Sizes Supported

10 Envelope, 7 3/4 Envelope, 9 Envelope, A4, A5, B5 Envelope, C5 Envelope, DL Envelope, 6 3/4 Envelope, A2 Baronial, A6 Card, B5, C6 Envelope, Custom, Hagaki Card, Index Card, Executive, Legal, Letter, 4 x 6", Statement, L, 2L, Chokei 3, Chokei 4, Chokei 40,

Kakugata 3, Kakugata 4, Kakugata 5, Kakugata 6, 5 x 7", 13 x 18 cm, 10 x 15 cm, 10 x 20 cm, 4 x 8"

Borderless Printing Media Sizes

4" x 6", Hagaki Card, L, 2L, 5" x 7", 89 x 127 mm, 10 x 15 cm, 13 x 18 cm, 10 x 20 cm, 4" x 8"

Connectivity (standard)

USB Compatible with USB 2.0 Specification

PictBridge Certified USB Port

No

Reduce / Enlarge Range

25 - 400 %

Scan Area, Maximum

216 x 297 mm

Scan Area, Maximum

8.5 x 11.7 inches

Packaged Size (mm - H x W x D)

367 x 498 x 238 mm

Packaged Size (in. - H x W x D)

14.45 x 19.06 x 9.37 in.

Size (mm - H x W x D)

175 x 430 x 293 mm

Size (in. - H x W x D)

6.9 x 16.9 x 11.5 in.

Weight (kg)

4.73 kg

Weight (lb.)

10.4 lb.

Acoustics/Noise level (Operating mode)

50 dBA

Copy Noise Level, Operating

50 dBA

Scan Noise Level, Operating

40 dBA

Product Guarantee

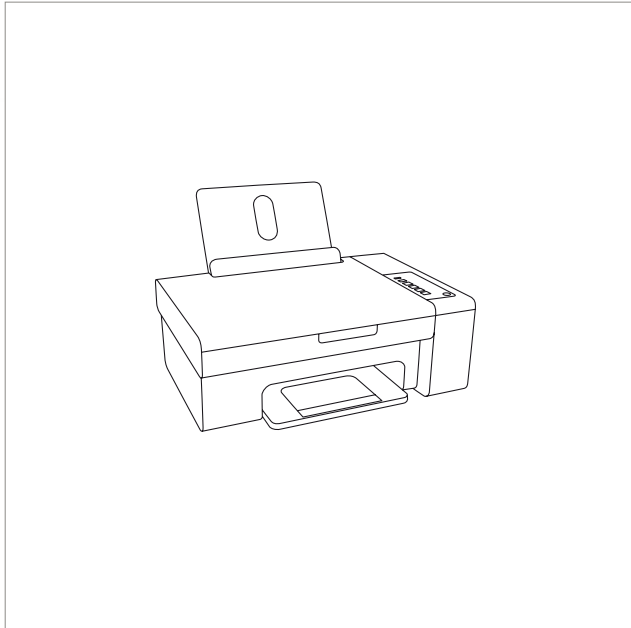
One Year Limited Exchange

Product Certifications

FCC Class B, UL 60950 3rd Edition, CE Class B, CB IEC 60950 IEC 60825-1, C-tick mark Class B, CCC Class B, CSA, ICES Class B, GS (TÜV), SEMKO

Duty Cycle, Maximum

3000 pages per month

**Part # Model**

0021A0003 Lexmark X2550

Part # Inkjet Ink/Print Cartridge

018C1428E #28 Black Return Program Print Cartridge
018C1429E #29 Color Return Program Print Cartridge
018C1528E #28A Black Print Cartridge
018C1529E #29A Color Print Cartridge
018C0031E #31 / 18C0031E Photo Color Print Cartridge
018C0034E #34 High Yield Black Print Cartridge
018C0035E #35 High Yield Colour Print Cartridge
018C1520E Twin-Pack #28, #29 Black and Color Return Program Print Cartridges

Part # Paper & Transparencies

0021G0710 Premium Glossy Photo Paper - Photo Size 10x15
0021G0711 Premium Glossy Photo Paper - Photo Size 10x15
0080D1707 Premium Photo IPaper A4 (15)
0021G0709 Premium Glossy Photo Paper A4
0080D1706 Photo Paper A4 (20)
0021G0708 Photo Paper A4 Size
0080D1903 Photo Paper A4-size, 10 x 15 cm Premium Photo Paper (20-sheets of
0080D1893 Premium Photo Paper A4 (2 x 15-sheet pack)

Part # Connectivity

001021294 USB (2 Meter) Cable



Lexmark X2650

The Lexmark™ X2650 All-in-One
with great speed and performance.

Print Technology

Thermal Inkjet

Colour Technology

4 Colour Inkjet - Cyan, Magenta, Yellow, Black, Optional

6-Colour Photo Printing

Scan Technology

CIS with 36 bit depth

Function

Color Copying, Color Printing, Color Scanning

Maximum Print Speed (Normal, Black)

Up to 13 ppm

Maximum Print Speed (Normal, Colour)

Up to 3 ppm

Maximum Print Speed (Draft, Black)

Up to 22 ppm

Maximum Print Speed (Draft, Colour)

Up to 16 ppm

Maximum Copy Speed (Normal, Black)

Up to 3 cpm

Maximum Copy Speed (Normal, Color)

Up to 0.9 cpm

Maximum Copy Speed (Draft, Black)

Up to N/A cpm

Maximum Copy Speed (Draft, Color)

Up to N/A cpm

Time to First Copy (Colour, Draft) as fast as

N/A

Time to First Copy (Colour, Normal) as fast as

0.9 cpm

Time to First Copy (Black, Normal) as fast as

3 cpm

Time to First Copy (Black, Draft) as fast as

N/A

Print Resolution, Black

Up to 1200 x 1200 dpi

Print Resolution, Colour

Up to 4800 x 1200 dpi

Scan Resolution, Enhanced

up to 19200 dpi

Scan Resolution, Optical

600 x 1200 dpi

Operating Systems Supported

XP, XP Professional x64, Vista, 2000 5.00.2195 or later,
Vista x64, OS X (10.4.4-10.5.x Intel, PowerPC), OS X
(10.3.9 Power PC)

Print (ASF) Paper Input Capacity, Maximum

100 pages 20 lb or 75 gsm bond

Media Types Supported

Card Stock, Envelopes, Labels, Plain Paper,
Transparencies, Banner (A4 or Letter), Hagaki Card, Index
Card (3"x5"), Photo Paper

Media Sizes Supported

10 Envelope, 7 3/4 Envelope, 9 Envelope, A4, A5, B5
Envelope, C5 Envelope, DL Envelope, 6 3/4 Envelope,
A2 Baronial, A6 Card, B5, C6 Envelope, Custom,
Hagaki Card, Index Card, Executive, Legal, Letter, 4 x

6", Statement, L, 2L, Chokei 3, Chokei 4, Chokei 40,
Kakugata 3, Kakugata 4, Kakugata 5, Kakugata 6, 5 x 7",
13 x 18 cm, 10 x 15 cm, 10 x 20 cm, 4 x 8"

Borderless Printing Media Sizes

4" x 6", A6, Hagaki Card, L, 2L, 5" x 7", 89 x 127 mm,
10 x 15 cm, 13 x 18 cm, 10 x 20 cm, 4" x 8"

Connectivity (standard)

USB Compatible with USB 2.0 Specification

PictBridge Certified USB Port

No

Reduce / Enlarge Range

25 - 400 %

Scan Area, Maximum

216 x 297 mm

Scan Area, Maximum

8.5 x 11.7 inches

Packaged Size (mm - H x W x D)

373 x 498 x 242 mm

Packaged Size (in. - H x W x D)

14.7 x 19.6 x 9.5 in.

Size (mm - H x W x D)

175 x 432 x 312 mm

Size (in. - H x W x D)

6.9 x 17.0 x 12.3 in.

Weight (kg)

4.86 kg

Weight (lb.)

10.7 lb.

Acoustics/Noise level (Operating mode)

50 dBA

Copy Noise Level, Operating

50 dBA

Scan Noise Level, Operating

40 dBA

Product Guarantee

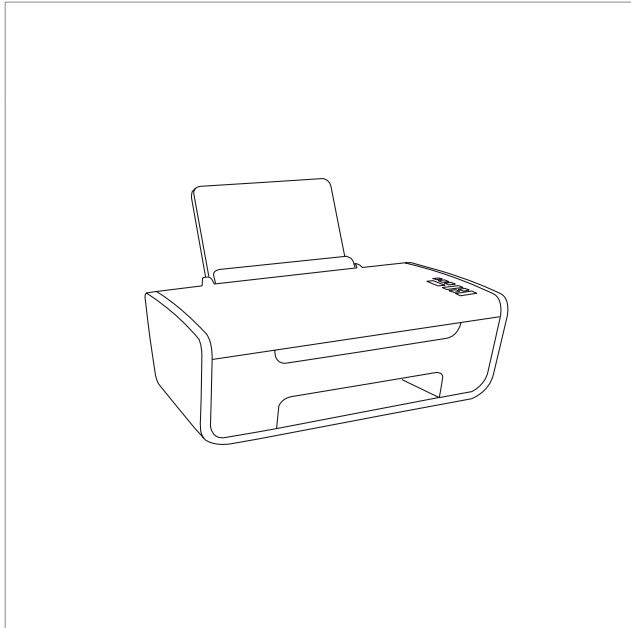
1 year On Site Replacement

Product Certifications

FCC Class B, UL 60950 3rd Edition, CE Class B, CB IEC
60950 IEC 60825-1, C-tick mark Class B, CCC Class B,
CSA, ICES Class B, GS (TUV), SEMKO

Duty Cycle, Maximum

3000 pages per month



Part #	Model
0012L1003	Lexmark X2650

Part #	Inkjet Ink/Print Cartridge
018C2090E	#14 Black Return Program Print Cartridge
018C2110E	#15 Color Return Program Print Cartridge
018C2080E	#14 Black Print Cartridge
018C2100E	#15A Colour Print Cartridge
018C0031E	#31 / 18C0031E Photo Color Print Cartridge

Part #	Paper & Transparencies
0021G0710	Premium Glossy Photo Paper - Photo Size 10x15
0021G0711	Premium Glossy Photo Paper - Photo Size 10x15
0080D1707	Premium Photo iPaper A4 (15)
0021G0709	Premium Glossy Photo Paper A4
0080D1706	Photo Paper A4 (20)
0021G0708	Photo Paper A4 Size
0080D1903	Photo Paper A4-size, 10 x 15 cm Premium Photo Paper (20-sheets of
0080D1893	Premium Photo Paper A4 (2 x 15-sheet pack)

Part #	Connectivity
001021294	USB (2 Meter) Cable

Lexmark X3550



All-In-One with memory card slots
- Photo, Scan, Copy and Print

Print Technology

Thermal Inkjet

Colour Technology

4 Colour Inkjet - Cyan, Magenta, Yellow, Black

Scan Technology

CIS with 48 bit depth

Function

Color Copying, Color Printing, Color Scanning

Maximum Print Speed (Normal, Black)

Up to 15 ppm

Maximum Print Speed (Normal, Colour)

Up to 5 ppm

Maximum Print Speed (Draft, Black)

Up to 24 ppm

Maximum Print Speed (Draft, Colour)

Up to 17 ppm

Maximum Copy Speed (Normal, Black)

Up to 12 cpm

Maximum Copy Speed (Normal, Color)

Up to 2 cpm

Maximum Copy Speed (Draft, Black)

Up to 17 cpm

Maximum Copy Speed (Draft, Color)

Up to 11 cpm

Time to First Copy (Colour, Draft) as fast as

11 seconds

Time to First Copy (Colour, Normal) as fast as

34.3 seconds

Time to First Copy (Black, Normal) as fast as

13.9 seconds

Time to First Copy (Black, Draft) as fast as

8.4 seconds

Print Resolution, Black

Up to 1200 x 1200 dpi

Print Resolution, Colour

Up to 4800 x 1200 dpi

Scan Resolution, Enhanced

Up to 19200 x 19200 dpi

Scan Resolution, Optical

600 x 1200 dpi

Operating Systems Supported

XP, XP Professional x64, Vista, OS X (10.4.4-10.4.x, Intel),

OS X (10.3.x-10.4.x Power PC), 2000 5.00.2195 or later

Print (ASF) Paper Input Capacity, Maximum

100 pages 20 lb or 75 gsm bond

Media Types Supported

Card Stock, Envelopes, Labels, Plain Paper, Transparencies, Banner (A4 or Letter), Hagaki Card, Index Card (3"x5"), Iron-On Transfers, Photo Paper

Media Sizes Supported

10 Envelope, 7 3/4 Envelope, 9 Envelope, A4, A5, B5 Envelope, C5 Envelope, DL Envelope, 6 3/4 Envelope, A2 Baronial, A6 Card, B5, C6 Envelope, Custom, Hagaki Card, Index Card, Executive, Legal, Letter, 4 x 6", Statement, L, 2L, Chokei 3, Chokei 4, Chokei 40, Kakugata 3, Kakugata 4, Kakugata 5, Kakugata 6, 5 x 7",

13 x 18 cm, 10 x 15 cm, 10 x 20 cm, 4 x 8"

Borderless Printing Media Sizes

4" x 6", A4, Letter, A6, Hagaki Card, L, 2L, A5, 5" x 7", Legal, 89 x 127 mm, 10 x 15 cm, 13 x 18 cm, B5, 10 x 20 cm, 4" x 8"

Connectivity (standard)

USB 2.0 Specification Hi-Speed Certified, USB pass-through via PictBridge port

Connectivity (optional)

Internal Fast Ethernet

PictBridge Certified USB Port

Yes

Digital Media Memory Card Compatibility

CompactFlash I & II, Sony Memory Stick, Memory Stick PRO, Secure Digital (SD) Card, MultiMediaCard (MMC), Microdrive, xD Card, Sony Memory Stick Duo (with adapter), Mini Secure Digital (Mini SD) Card (with adapter), Sony Memory Stick PRO Duo (with adapter), SanDisk TransFlash Memory Module (with adapter), RS-MMC (with adapter)

Reduce / Enlarge Range

25 - 400 %

Scan Area, Maximum

216 x 297 mm

Scan Area, Maximum

8.5 x 11.7 inches

Packaged Size (mm - H x W x D)

280 x 536 x 398 mm

Packaged Size (in. - H x W x D)

11.02 x 21.1 x 15.67 in.

Size (mm - H x W x D)

177 x 453 x 325 mm

Size (in. - H x W x D)

7.0 x 17.8 x 12.8 in.

Weight (kg)

5.6 kg

Weight (lb.)

12.4 lb.

Acoustics/Noise level (Operating mode)

50 dBA

Copy Noise Level, Operating

50 dBA

Scan Noise Level, Operating

40 dBA

Product Guarantee

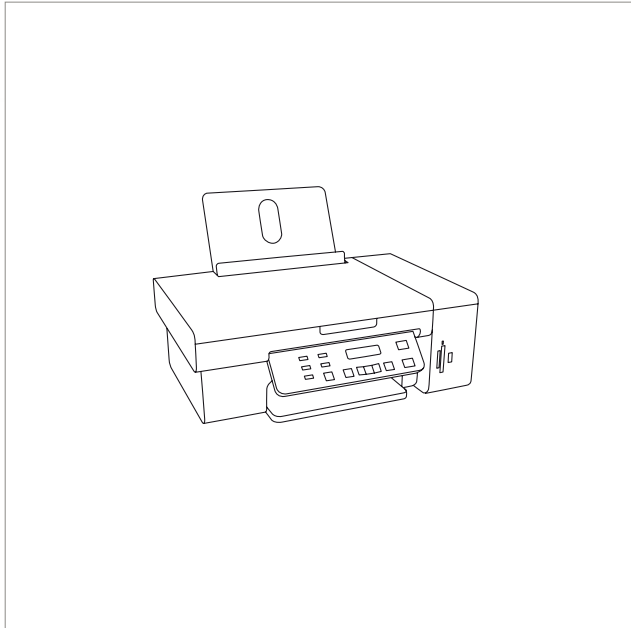
One Year Next Business Day Protection Guarantee

Product Certifications

Energy Star, CSA, c-UL-us, ICES Class B, Executive Order 132221, CE Class B, CB IEC 60950 IEC 60825-1, GS (TÜV), SEMKO, C-tick mark Class B, V85, CCC Class B, BSMI Class B, METI

Duty Cycle, Maximum

3000 pages per month

**Part # Model**

001410020 Lexmark X3550

Part # Inkjet Ink/Print Cartridge

018C1524E #24 Color Return Program Print Cartridge
018C1523E #23 Black Return Program Print Cartridge
018C1624E #24A Color Print Cartridge
018C1623E #23A Black Print Cartridge
018C0035E #35 High Yield Colour Print Cartridge
018C0034E #34 High Yield Black Print Cartridge
018C0031E #31 / 18C0031E Photo Color Print Cartridge
018C1419E Twin-Pack #23, #24 Black and Color Return Program Print Cartridges

Part # Paper & Transparencies

0021G0710 Premium Glossy Photo Paper - Photo Size 10x15
0021G0711 Premium Glossy Photo Paper - Photo Size 10x15
0080D1707 Premium Photo IPaper A4 (15)
0021G0709 Premium Glossy Photo Paper A4
0080D1893 Premium Photo Paper A4 (2 x 15-sheet pack)
0080D1903 Photo Paper A4-size, 10 x 15 cm Premium Photo Paper (20-sheets of
0080D1706 Photo Paper A4 (20)
0021G0708 Photo Paper A4 Size

Part # Connectivity

001021294 USB (2 Meter) Cable
0014T0305 Lexmark N2050 802.11b/g Wireless Network Card



Lexmark X3650

X3650 Home & Student 3-in-1

Print Technology

Thermal Inkjet

Colour Technology

4 Colour Inkjet - Cyan, Magenta, Yellow, Black

Scan Technology

CIS with 36 bit depth

Function

Color Copying, Color Printing, Color Scanning

Maximum Print Speed (Normal, Black)

Up to 15 ppm

Maximum Print Speed (Normal, Colour)

Up to 3 ppm

Maximum Print Speed (Draft, Black)

Up to 25 ppm

Maximum Print Speed (Draft, Colour)

Up to 18 ppm

Maximum Copy Speed (Normal, Black)

Up to 9 cpm

Maximum Copy Speed (Normal, Color)

Up to 1 cpm

Maximum Copy Speed (Draft, Black)

Up to 15 cpm

Maximum Copy Speed (Draft, Color)

Up to 10 cpm

Time to First Copy (Colour, Draft) as fast as

5 cpm

Time to First Copy (Colour, Normal) as fast as

1 cpm

Time to First Copy (Black, Normal) as fast as

5 cpm

Time to First Copy (Black, Draft) as fast as

8 cpm

Print Resolution, Black

Up to 1200 x 1200 dpi

Print Resolution, Colour

Up to 4800 x 1200 dpi

Scan Resolution, Enhanced

Up to 19200 x 19200 dpi

Scan Resolution, Optical

600 x 1200 dpi

Operating Systems Supported

XP, XP Professional x64, Vista, 2000 5.00.2195 or later, Vista x64, OS X (10.4.4-10.5.x Intel, PowerPC), OS X (10.3.9 Power PC)

Print (ASF) Paper Input Capacity, Maximum

100 pages 20 lb or 75 gsm bond

Media Types Supported

Card Stock, Envelopes, Plain Paper, Transparencies, Banner (A4 or Letter), Hagaki Card, Iron-On Transfers, Photo Paper, Heavy Weight Matte Paper

Media Sizes Supported

10 Envelope, 7 3/4 Envelope, 9 Envelope, A4, A5, B5 Envelope, C5 Envelope, DL Envelope, 6 3/4 Envelope, A2 Baronial, A6 Card, B5, C6 Envelope, Custom, Hagaki Card, Index Card, Executive, Legal, Letter, 4 x 6", Statement, L, 2L, Chokei 3, Chokei 4, Chokei 40,

Kakugata 3, Kakugata 4, Kakugata 5, Kakugata 6, 5 x 7", 13 x 18 cm, 10 x 15 cm, 10 x 20 cm, 4 x 8"

Borderless Printing Media Sizes

4" x 6", A4, Letter, A6, Hagaki Card, L, 2L, A5, 5" x 7", Legal, 89 x 127 mm, 10 x 15 cm, 13 x 18 cm, B5, 10 x 20 cm, 4" x 8"

Connectivity (standard)

USB 2.0 Specification Hi-Speed Certified, USB Direct interface on Operator Panel, USB pass-through via PictBridge port

PictBridge Certified USB Port

Yes

Digital Media Memory Card Compatibility

CompactFlash I & II, Sony Memory Stick, Memory Stick PRO, Secure Digital (SD) Card, MultiMediaCard (MMC), Microdrive, xD Card, Sony Memory Stick Duo (with adapter), Mini Secure Digital (Mini SD) Card (with adapter), Sony Memory Stick PRO Duo (with adapter), SanDisk TransFlash Memory Module (with adapter), RS-MMC (with adapter), xD Card Type M, Type H, MultiMediaCard (MMC) Mobile (with adapter), Micro Secure Digital (Micro SD) Card (with adapter), Secure Digital High Capacity (SDHC) Card (with adapter)

Reduce / Enlarge Range

25 - 400 %

Scan Area, Maximum

216 x 297 mm

Scan Area, Maximum

8.5 x 11.7 inches

Packaged Size (mm - H x W x D)

245 x 571 x 396 mm

Packaged Size (in. - H x W x D)

9.646 x 22.48 x 15.59 in.

Size (mm - H x W x D)

175 x 459 x 317.5 mm

Size (in. - H x W x D)

6.98 x 18.07 x 12.5 in.

Weight (kg)

5.1 kg

Weight (lb.)

11.2 lb.

Acoustics/Noise level (Operating mode)

50 dBA

Copy Noise Level, Operating

50 dBA

Scan Noise Level, Operating

43 dBA

Product Guarantee

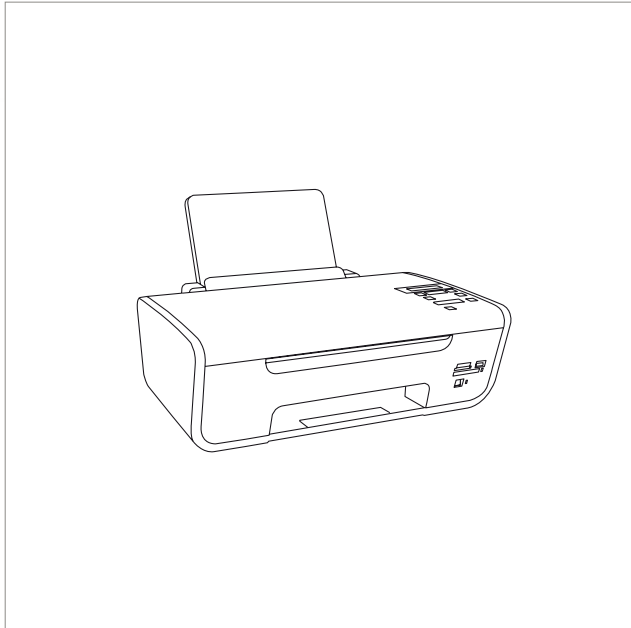
1 year On Site Replacement

Product Certifications

Energy Star, CSA, c-UL-us, ICES Class B, Executive Order 13221, CE Class B, CB IEC 60950 IEC 60825-1, GS (TÜV), SEMKO, C-tick mark Class B, V85, CCC Class B, BSMI Class B, METI

Duty Cycle, Maximum

3000 pages per month



Part #	Model
0016F1203	Lexmark X3650

Part #	Inkjet Ink/Print Cartridge
018C2170E	#36XL Black Return Program Print Cartridge
018C2130E	#36 Black Return Program Print Cartridge
018C2180E	#37XL Color Return Program Print Cartridge
018C2140E	#37 Color Return Program Print Cartridge
018C2190E	#36XLA Black Print Cartridge
018C2150E	#36 Black Print Cartridge
018C2200E	#37XLA Colour Print Cartridge
018C2160E	#37A Colour Print Cartridge
018C0031E	#31 / 18C0031E Photo Color Print Cartridge

Part #	Paper & Transparencies
0021G0710	Premium Glossy Photo Paper - Photo Size 10x15
0021G0711	Premium Glossy Photo Paper - Photo Size 10x15
0080D1707	Premium Photo IPaper A4 (15)
0021G0709	Premium Glossy Photo Paper A4
0080D1893	Premium Photo Paper A4 (2 x 15-sheet pack)
0080D1903	Photo Paper A4-size, 10 x 15 cm Premium Photo Paper (20-sheets of
0080D1706	Photo Paper A4 (20)
0021G0708	Photo Paper A4 Size

Part #	Connectivity
001021294	USB (2 Meter) Cable

Lexmark X4550



Wireless All-In-One - Photo
Printing, Scan, Copy and Print

Print Technology

Thermal Inkjet

Colour Technology

4 Colour Inkjet - Cyan, Magenta, Yellow, Black, Optional

6-Colour Photo Printing

Scan Technology

CIS with 48 bit depth

Function

Color Copying, Color Printing, Color Scanning

Maximum Print Speed (Normal, Black)

Up to 15 ppm

Maximum Print Speed (Normal, Colour)

Up to 6 ppm

Maximum Print Speed (Draft, Black)

Up to 26 ppm

Maximum Print Speed (Draft, Colour)

Up to 18 ppm

Maximum Copy Speed (Normal, Black)

Up to 12 cpm

Maximum Copy Speed (Normal, Color)

Up to 2 cpm

Maximum Copy Speed (Draft, Black)

Up to 17 cpm

Maximum Copy Speed (Draft, Color)

Up to 11 cpm

Time to First Copy (Colour, Draft) as fast as

11 seconds

Time to First Copy (Colour, Normal) as fast as

34.3 seconds

Time to First Copy (Black, Normal) as fast as

13.9 seconds

Time to First Copy (Black, Draft) as fast as

8.4 seconds

Print Resolution, Black

Up to 1200 x 1200 dpi

Print Resolution, Colour

Up to 4800 x 1200 dpi

Scan Resolution, Enhanced

Up to 19200 x 19200 dpi

Scan Resolution, Optical

600 x 1200 dpi

Operating Systems Supported

XP, XP Professional x64, Vista, OS X (10.4.4-10.4.x Intel),

OS X (10.3.x-10.4.x Power PC), 2000 5.00.2195 or later

Print (ASF) Paper Input Capacity, Maximum

100 pages 20 lb or 75 gsm bond

Media Types Supported

Card Stock, Envelopes, Labels, Plain Paper, Transparencies, Banner (A4 or Letter), Hagaki Card, Index Card (3"x5"), Iron-On Transfers, Photo Paper

Media Sizes Supported

10 Envelope, 7 3/4 Envelope, 9 Envelope, A4, A5, B5 Envelope, C5 Envelope, DL Envelope, 6 3/4 Envelope, A2 Baronial, A6 Card, B5, C6 Envelope, Custom, Hagaki Card, Index Card, Executive, Legal, Letter, 4 x 6", Statement, L, 2L, Chokei 3, Chokei 4, Chokei 40,

Kakugata 3, Kakugata 4, Kakugata 5, Kakugata 6, 5 x 7", 13 x 18 cm, 10 x 15 cm, 10 x 20 cm, 4 x 8"

Borderless Printing Media Sizes

4" x 6", A4, Letter, A6, Hagaki Card, L, 2L, A5, 5" x 7", Legal, 89 x 127 mm, 10 x 15 cm, 13 x 18 cm, B5, 10 x 20 cm, 4" x 8"

Connectivity (standard)

USB 2.0 Specification Hi-Speed Certified, USB pass-through via PictBridge port, 802.11g Wireless

PictBridge Certified USB Port

Yes

Digital Media Memory Card Compatibility

CompactFlash I & II, Sony Memory Stick, Memory Stick PRO, Secure Digital (SD) Card, MultiMediaCard (MMC), Microdrive, xD Card, Sony Memory Stick Duo (with adapter), Mini Secure Digital (Mini SD) Card (with adapter), Sony Memory Stick PRO Duo (with adapter), SanDisk TransFlash Memory Module (with adapter), RS-MMC (with adapter)

Reduce / Enlarge Range

25 - 400 %

Scan Area, Maximum

216 x 297 mm

Scan Area, Maximum

8.5 x 11.7 inches

Packaged Size (mm - H x W x D)

280 x 536 x 398 mm

Packaged Size (in. - H x W x D)

11.02 x 21.1 x 15.67 in.

Size (mm - H x W x D)

177 x 453 x 325 mm

Size (in. - H x W x D)

7.0 x 17.8 x 12.8 in.

Weight (kg)

5.8 kg

Weight (lb.)

12.7 lb.

Acoustics/Noise level (Operating mode)

50 dBA

Copy Noise Level, Operating

50 dBA

Scan Noise Level, Operating

40 dBA

Product Guarantee

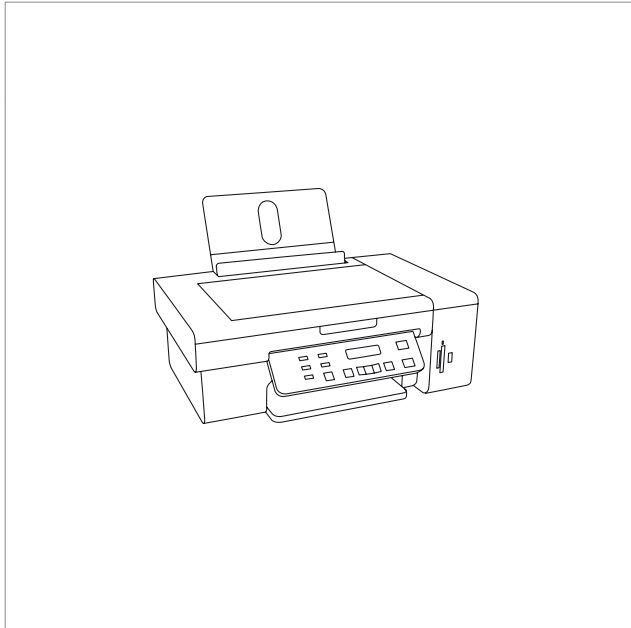
One Year Next Business Day Protection Guarantee

Product Certifications

Energy Star, CSA, c-UL-us, ICES Class B, Executive Order 132221, CE Class B, CB IEC 60950 IEC 60825-1, GS (TÜV), SEMKO, C-tick mark Class B, V85, CCC Class B, BSMI Class B, METI

Duty Cycle, Maximum

3000 pages per month

**Part # Model**

001410620 Lexmark X4550

Part # Inkjet Ink/Print Cartridge

018C1524E #24 Color Return Program Print Cartridge
018C1523E #23 Black Return Program Print Cartridge
018C1624E #24A Color Print Cartridge
018C1623E #23A Black Print Cartridge
018C0035E #35 High Yield Colour Print Cartridge
018C0034E #34 High Yield Black Print Cartridge
018C0031E #31 / 18C0031E Photo Color Print Cartridge
018C1419E Twin-Pack #23, #24 Black and Color Return Program Print Cartridges

Part # Paper & Transparencies

0021G0710 Premium Glossy Photo Paper - Photo Size 10x15
0021G0711 Premium Glossy Photo Paper - Photo Size 10x15
0080D1707 Premium Photo IPaper A4 (15)
0021G0709 Premium Glossy Photo Paper A4
0080D1893 Premium Photo Paper A4 (2 x 15-sheet pack)
0080D1903 Photo Paper A4-size, 10 x 15 cm Premium Photo Paper (20-sheets of
0080D1706 Photo Paper A4 (20)
0021G0708 Photo Paper A4 Size

Part # Connectivity

001021294 USB (2 Meter) Cable



Lexmark X4650

Wireless Home & Student 3-in-1

Print Technology

Thermal Inkjet

Colour Technology

4 Colour Inkjet - Cyan, Magenta, Yellow, Black, Optional

6-Colour Photo Printing

Scan Technology

CIS with 36 bit depth

Function

Color Copying, Color Printing, Color Scanning

Maximum Print Speed (Normal, Black)

Up to 15 ppm

Maximum Print Speed (Normal, Colour)

Up to 3 ppm

Maximum Print Speed (Draft, Black)

Up to 25 ppm

Maximum Print Speed (Draft, Colour)

Up to 18 ppm

Maximum Copy Speed (Normal, Black)

Up to 9 cpm

Maximum Copy Speed (Normal, Colour)

Up to 1 cpm

Maximum Copy Speed (Draft, Black)

Up to 15 cpm

Maximum Copy Speed (Draft, Colour)

Up to 10 cpm

Time to First Copy (Colour, Draft) as fast as

5 cpm

Time to First Copy (Colour, Normal) as fast as

1 cpm

Time to First Copy (Black, Normal) as fast as

5 cpm

Time to First Copy (Black, Draft) as fast as

8 cpm

Print Resolution, Black

Up to 1200 x 1200 dpi

Print Resolution, Colour

Up to 4800 x 1200 dpi

Scan Resolution, Enhanced

Up to 19200 x 19200 dpi

Scan Resolution, Optical

600 x 1200 dpi

Operating Systems Supported

XP, XP Professional x64, Vista, 2000 5.00.2195 or later, Vista x64, OS X (10.4.4-10.5.x Intel, PowerPC), OS X (10.3.9 Power PC)

Print (ASF) Paper Input Capacity, Maximum

100 pages 20 lb or 75 gsm bond

Media Types Supported

Card Stock, Envelopes, Labels, Plain Paper, Transparencies, Banner (A4 or Letter), Hagaki Card, Iron-On Transfers, Photo Paper, Heavy Weight, Matte Paper

Media Sizes Supported

10 Envelope, 7 3/4 Envelope, 9 Envelope, A4, A5, B5 Envelope, C5 Envelope, DL Envelope, 6 3/4 Envelope, A2 Baronial, A6 Card, B5, C6 Envelope, Custom, Hagaki Card, Index Card, Executive, Legal, Letter, 4 x

6", Statement, L, 2L, Chokei 3, Chokei 4, Chokei 40, Kakugata 3, Kakugata 4, Kakugata 5, Kakugata 6, 5 x 7", 13 x 18 cm, 10 x 15 cm, 10 x 20 cm, 4 x 8"

Borderless Printing Media Sizes

4" x 6", A4, Letter, A6, Hagaki Card, L, 2L, A5, 5" x 7", Legal, 89 x 127 mm, 10 x 15 cm, 13 x 18 cm, B5, 10 x 20 cm, 4" x 8"

Connectivity (standard)

USB 2.0 Specification Hi-Speed Certified, USB pass-through via PictBridge port, 802.11g/b Wireless

PictBridge Certified USB Port

Yes

Duty Cycle, Maximum

3000 pages per month

Digital Media Memory Card Compatibility

CompactFlash I & II, Sony Memory Stick, Memory Stick PRO, Secure Digital (SD) Card, MultiMediaCard (MMC), Microdrive, xD Card, Sony Memory Stick Duo (with adapter), Mini Secure Digital (Mini SD) Card (with adapter), Sony Memory Stick PRO Duo (with adapter), SanDisk TransFlash Memory Module (with adapter), RS-MMC (with adapter), xD Card Type M, Type H, MultiMediaCard (MMC) Mobile (with adapter), Micro Secure Digital (Micro SD) Card (with adapter), Secure Digital High Capacity (SDHC) Card (with adapter)

Reduce / Enlarge Range

25 - 400 %

Scan Area, Maximum

216 x 297 mm

Scan Area, Maximum

8.5 x 11.7 inches

Packaged Size (mm - H x W x D)

245 x 571 x 396 mm

Packaged Size (in. - H x W x D)

9.646 x 22.48 x 15.59 in.

Size (mm - H x W x D)

175 x 459 x 331 mm

Size (in. - H x W x D)

6.98 x 18.07 x 13.03 in.

Weight (kg)

5.3 kg

Weight (lb.)

11.6 lb.

Acoustics/Noise level (Operating mode)

50 dBA

Copy Noise Level, Operating

50 dBA

Scan Noise Level, Operating

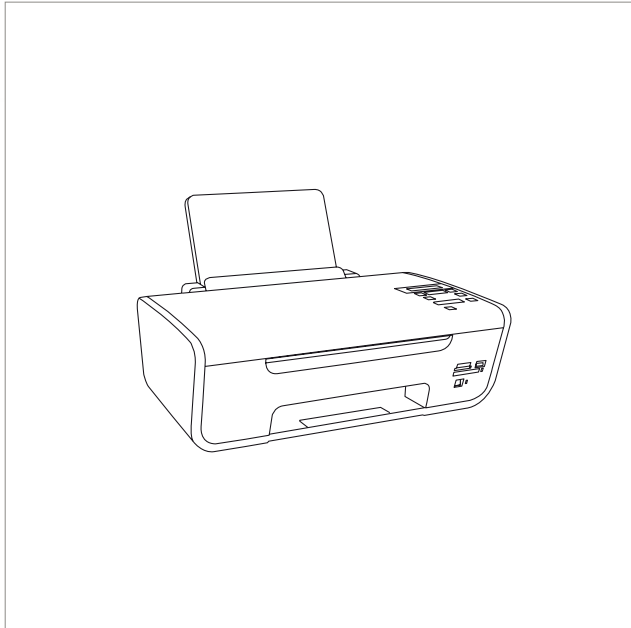
43 dBA

Product Guarantee

3 year guarantee upon registration

Product Certifications

Energy Star, CSA, c-UL-us, ICES Class B, Executive Order 13221, CE Class B, CB IEC 60950 IEC 60825-1, GS (TÜV), SEMKO, C-tick mark Class B, V85, CCC Class B, BSMI Class B, METI



Part #	Model
0016F1403	Lexmark X4650

Part #	Inkjet Ink/Print Cartridge
018C2170E	#36XL Black Return Program Print Cartridge
018C2130E	#36 Black Return Program Print Cartridge
018C2190E	#36LA Black Print Cartridge
018C2150E	#36 Black Print Cartridge
018C2180E	#37XL Color Return Program Print Cartridge
018C2140E	#37 Color Return Program Print Cartridge
018C2200E	#37LA Colour Print Cartridge
018C2160E	#37A Colour Print Cartridge
018C0031E	#31 / 18C0031E Photo Color Print Cartridge

Part #	Paper & Transparencies
0021G0710	Premium Glossy Photo Paper - Photo Size 10x15
0021G0711	Premium Glossy Photo Paper - Photo Size 10x15
0080D1707	Premium Photo IPaper A4 (15)
0021G0709	Premium Glossy Photo Paper A4
0080D1893	Premium Photo Paper A4 (2 x 15-sheet pack)
0080D1903	Photo Paper A4-size, 10 x 15 cm Premium Photo Paper (20-sheets of
0080D1706	Photo Paper A4 (20)
0021G0708	Photo Paper A4 Size

Part #	Connectivity
001021294	USB (2 Meter) Cable

Lexmark X4850



Wireless All-in-One - Easily print photos, scan, copy and print

Print Technology

Thermal Inkjet

Colour Technology

4 Colour Inkjet - Cyan, Magenta, Yellow, Black, Optional

6-Colour Photo Printing

Scan Technology

CIS with 48 bit depth

Function

Color Copying, Color Printing, Color Scanning

Maximum Print Speed (Normal, Black)

Up to 10 ppm

Maximum Print Speed (Normal, Colour)

Up to 4 ppm

Maximum Print Speed (Draft, Black)

Up to 30 ppm

Maximum Print Speed (Draft, Colour)

Up to 27 ppm

Maximum Copy Speed (Normal, Black)

Up to 7 cpm

Maximum Copy Speed (Normal, Colour)

Up to 2 cpm

Maximum Copy Speed (Draft, Black)

Up to 27 cpm

Maximum Copy Speed (Draft, Colour)

Up to 21 cpm

Time to First Copy (Colour, Draft) as fast as

18.3 seconds

Time to First Copy (Colour, Normal) as fast as

47.1 seconds

Time to First Copy (Black, Normal) as fast as

12.9 seconds

Time to First Copy (Black, Draft) as fast as

6.7 seconds

Print Resolution, Black

Up to 1200 x 1200 dpi

Print Resolution, Colour

Up to 4800 x 2400 dpi

Scan Resolution, Enhanced

Up to 19,200 dpi dpi

Scan Resolution, Optical

600 x 1200 dpi

Operating Systems Supported

XP, XP Professional x64, Vista, OS X (10.4.4-10.4.x, Intel), OS X (10.3.x-10.4.x, Power PC), 2000 5.00.2195 or later, Vista x64

Print (ASF) Paper Input Capacity, Maximum

100 pages 20 lb or 75 gsm bond

Media Types Supported

Card Stock, Coated Paper, Envelopes, Labels, Plain Paper, Transparencies, Banner (A4 or Letter), Hagaki Card, Iron-On Transfers, Photo Paper

Media Sizes Supported

10 Envelope, 7 3/4 Envelope, 9 Envelope, A4, A5, B5 Envelope, C5 Envelope, DL Envelope, 6 3/4 Envelope, A2 Baronial, A6 Card, B5, C6 Envelope, Custom, Hagaki Card, Index Card, Executive, Legal, Letter, 4 x

6", Statement, L, 2L, Chokei 3, Chokei 4, Chokei 40, Kakugata 3, Kakugata 4, Kakugata 5, Kakugata 6, 5 x 7", 13 x 18 cm, 10 x 15 cm, 10 x 20 cm, 4 x 8"

Borderless Printing Media Sizes

4" x 6", A4, Letter, A6, Hagaki Card, L, 2L, A5, 5" x 7", Legal, 89 x 127 mm, 10 x 15 cm, 13 x 18 cm, B5, 10 x 20 cm, 4" x 8"

Connectivity (standard)

USB 2.0 Specification Hi-Speed Certified, PictBridge

Certified Port, 802.11g/b Wireless

PictBridge Certified USB Port

Yes

Digital Media Memory Card Compatibility

CompactFlash I & II, Sony Memory Stick, Memory Stick PRO, Secure Digital (SD) Card, MultiMediaCard (MMC), Microdrive, xD Card, Sony Memory Stick Duo (with adapter), Mini Secure Digital (Mini SD) Card (with adapter), Sony Memory Stick PRO Duo (with adapter), SanDisk TransFlash Memory Module (with adapter), RS-MMC (with adapter), xD Card Type M, Type H, MultiMediaCard (MMC) Mobile (with adapter), Micro Secure Digital (Micro SD) Card (with adapter)

Reduce / Enlarge Range

25 - 400 %

Scan Area, Maximum

216 x 297 mm

Scan Area, Maximum

8.5 x 11.7 inches

Packaged Size (mm - H x W x D)

438 x 563 x 248 mm

Packaged Size (in. - H x W x D)

17.2 x 22.2 x 9.8 in.

Size (mm - H x W x D)

178 x 454 x 351 mm

Size (in. - H x W x D)

7.0 x 17.9 x 13.8 in.

Weight (kg)

7.1 kg

Weight (lb.)

15.6 lb.

Acoustics/Noise level (Operating mode)

50 dBA

Copy Noise Level, Operating

50 dBA

Scan Noise Level, Operating

40 dBA

Product Guarantee

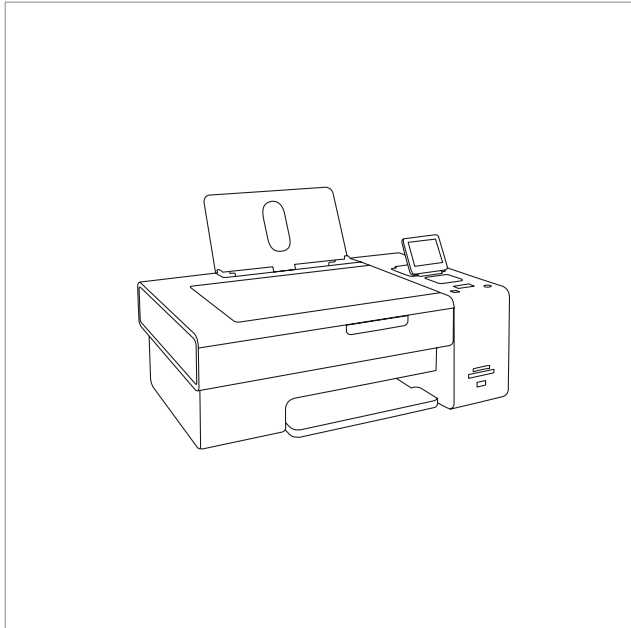
One Year Replace

Product Certifications

Energy Star, FCC Class B, UL 60950 3rd Edition, CE Class B, CB IEC 60950 IEC 60825-1, C-tick mark Class B, CCC Class B, CSA, ICES Class B, GS (TÜV), SEMKO

Duty Cycle, Maximum

1500 pages per month



Part #	Model
0016Z0001	Lexmark X4850

Part #	Inkjet Ink/Print Cartridge
018Y0141E	#41 Color Return Program Print Cartridge
018Y0142E	#42 Black Return Program Print Cartridge
018Y0340E	#40 Photo Print Cartridge
018Y0341E	#41A Color Print Cartridge
018Y0342E	#42A Black Print Cartridge
018Y0144E	#44 Black Print Cartridge
0080D2966	Twin-Pack #44XL, #43XL Black and Color Print Cartridges
018YX143E	#43 Color Print Cartridge

Part #	Paper & Transparencies
0019Y0205	PerfectFinish™ Photo Paper A4
0019Y0190	PerfectFinish™ Photo Paper, 10x15 cm (50)
0019Y0200	PerfectFinish™ Photo Paper, 10x15 cm (100)

Part #	Connectivity
001021294	USB (2 Meter) Cable

Lexmark X4875



Wireless All-in-One

Print Technology

Thermal Inkjet

Colour Technology

4 Colour Inkjet - Cyan, Magenta, Yellow, Black, Optional

6-Colour Photo Printing

Scan Technology

CIS with 48 bit depth

Function

Color Copying, Color Printing, Color Scanning

Maximum Print Speed (Normal, Black)

Up to 10 ppm

Maximum Print Speed (Normal, Colour)

Up to 4 ppm

Maximum Print Speed (Draft, Black)

Up to 30 ppm

Maximum Print Speed (Draft, Colour)

Up to 27 ppm

Maximum Copy Speed (Normal, Black)

Up to 7 cpm

Maximum Copy Speed (Normal, Colour)

Up to 2 cpm

Maximum Copy Speed (Draft, Black)

Up to 27 cpm

Maximum Copy Speed (Draft, Colour)

Up to 21 cpm

Time to First Copy (Colour, Draft) as fast as

18.3 seconds

Time to First Copy (Colour, Normal) as fast as

47.1 seconds

Time to First Copy (Black, Normal) as fast as

12.9 seconds

Time to First Copy (Black, Draft) as fast as

6.7 seconds

Print Resolution, Black

Up to 1200 x 1200 dpi

Print Resolution, Colour

Up to 4800 x 2400 dpi

Scan Resolution, Enhanced

Up to 19,200 dpi dpi

Scan Resolution, Optical

600 x 1200 dpi

Operating Systems Supported

XP, XP Professional x64, Vista, 2000 5.00.2195 or later, Vista x64, OS X (10.4.4-10.5.x Intel, PowerPC), OS X (10.3.9 Power PC)

Print (ASF) Paper Input Capacity, Maximum

100 pages 20 lb or 75 gsm bond

Media Types Supported

Card Stock, Coated Paper, Envelopes, Labels, Plain Paper, Transparencies, Banner (A4 or Letter), Hagaki Card, Iron-On Transfers, Photo Paper

Media Sizes Supported

10 Envelope, 7 3/4 Envelope, 9 Envelope, A4, A5, B5 Envelope, C5 Envelope, DL Envelope, 6 3/4 Envelope, A2 Baronial, A6 Card, B5, C6 Envelope, Custom, Hagaki Card, Index Card, Executive, Legal, Letter, 4 x

6", Statement, L, 2L, Chokei 3, Chokei 4, Chokei 40, Kakugata 3, Kakugata 4, Kakugata 5, Kakugata 6, 5 x 7", 13 x 18 cm, 10 x 15 cm, 10 x 20 cm, 4 x 8"

Borderless Printing Media Sizes

4" x 6", A4, Letter, A6, Hagaki Card, L, 2L, A5, 5" x 7", Legal, 89 x 127 mm, 10 x 15 cm, 13 x 18 cm, B5, 10 x 20 cm, 4" x 8"

Connectivity (standard)

USB 2.0 Specification Hi-Speed Certified, PictBridge

Certified Port, 802.11g/b Wireless

PictBridge Certified USB Port

Yes

Digital Media Memory Card Compatibility

CompactFlash I & II, Sony Memory Stick, Memory Stick PRO, Secure Digital (SD) Card, MultiMediaCard (MMC), Microdrive, xD Card, Sony Memory Stick Duo (with adapter), Mini Secure Digital (Mini SD) Card (with adapter), Sony Memory Stick PRO Duo (with adapter), SanDisk TransFlash Memory Module (with adapter), RS-MMC (with adapter), xD Card Type M, Type H, MultiMediaCard (MMC) Mobile (with adapter), Micro Secure Digital (Micro SD) Card (with adapter)

Reduce / Enlarge Range

25 - 400 %

Scan Area, Maximum

216 x 297 mm

Scan Area, Maximum

8.5 x 11.7 inches

Packaged Size (mm - H x W x D)

438 x 563 x 248 mm

Packaged Size (in. - H x W x D)

17.2 x 22.2 x 9.8 in.

Size (mm - H x W x D)

178 x 454 x 351 mm

Size (in. - H x W x D)

7.0 x 17.9 x 13.8 in.

Weight (kg)

7.1 kg

Weight (lb.)

15.6 lb.

Acoustics/Noise level (Operating mode)

50 dBA

Copy Noise Level, Operating

50 dBA

Scan Noise Level, Operating

40 dBA

Product Guarantee

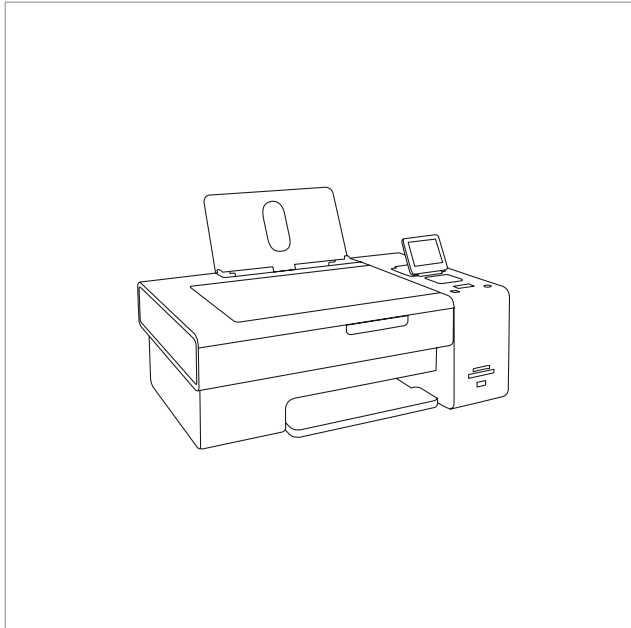
5 years Guarantee upon registration

Product Certifications

Energy Star, FCC Class B, UL 60950 3rd Edition, CE Class B, CB IEC 60950 IEC 60825-1, C-tick mark Class B, CCC Class B, CSA, ICES Class B, GS (TÜV), SEMKO

Duty Cycle, Maximum

1500 pages per month



Part #	Model
0016Z0901	Lexmark X4875

Part #	Inkjet Ink/Print Cartridge
018Y0141E	#41 Color Return Program Print Cartridge
018Y0142E	#42 Black Return Program Print Cartridge
018Y0340E	#40 Photo Print Cartridge
018Y0341E	#41A Color Print Cartridge
018Y0342E	#42A Black Print Cartridge
018Y0144E	#44 Black Print Cartridge
0080D2966	Twin-Pack #44XL, #43XL Black and Color Print Cartridges
018YX143E	#43 Color Print Cartridge

Part #	Paper & Transparencies
0019Y0205	PerfectFinish™ Photo Paper A4
0019Y0190	PerfectFinish™ Photo Paper, 10x15 cm (50)
0019Y0200	PerfectFinish™ Photo Paper, 10x15 cm (100)

Part #	Connectivity
001021294	USB (2 Meter) Cable

Lexmark X4950



Wireless 3-in-1 with Convenient Automatic Document Feeder

Print Technology

Thermal Inkjet

Colour Technology

4 Colour Inkjet - Cyan, Magenta, Yellow, Black, Optional

6-Colour Photo Printing

Scan Technology

CIS with 48 bit depth

Function

Color Copying, Color Printing, Color Scanning

Maximum Print Speed (Normal, Black)

Up to 13 ppm

Maximum Print Speed (Normal, Colour)

Up to 5 ppm

Maximum Print Speed (Draft, Black)

Up to 30 ppm

Maximum Print Speed (Draft, Colour)

Up to 27 ppm

Maximum Copy Speed (Normal, Black)

Up to 10 cpm

Maximum Copy Speed (Normal, Colour)

Up to 2 cpm

Maximum Copy Speed (Draft, Black)

Up to 25 cpm

Maximum Copy Speed (Draft, Colour)

Up to 21 cpm

Time to First Copy (Colour, Draft) as fast as

5 cpm

Time to First Copy (Colour, Normal) as fast as

1 cpm

Time to First Copy (Black, Normal) as fast as

3 cpm

Time to First Copy (Black, Draft) as fast as

8 cpm

Print Resolution, Black

Up to 1200 x 1200 dpi

Print Resolution, Colour

Up to 4800 x 2400 dpi

Scan Resolution, Enhanced

Up to 19,200 dpi

Scan Resolution, Optical

600 x 1200 dpi

Operating Systems Supported

XP, XP Professional x64, Vista, 2000 5.00.2195 or later, Vista x64, OS X (10.4.4-10.5.x Intel, PowerPC), OS X (10.3.9 Power PC)

Print (ASF) Paper Input Capacity, Maximum

100 pages 20 lb or 75 gsm bond

ADF Input Paper Sizes

A4, Legal, Letter

ADF Paper Input Capacity

Up to 25 pages 20 lb or 75 gsm bond

Media Types Supported

Card Stock, Envelopes, Labels, Plain Paper, Banner (A4 or Letter), Hagaki Card, Iron-On Transfers, Photo Paper, Heavy Weight Matte Paper

Media Sizes Supported

10 Envelope, 7 3/4 Envelope, 9 Envelope, A4, A5, B5 Envelope, C5 Envelope, DL Envelope, 6 3/4 Envelope, A2 Baronial, A6 Card, B5, C6 Envelope, Custom, Hagaki Card, Index Card, Executive, Legal, Letter, 4 x 6", Statement, L, 2L, Chokei 3, Chokei 4, Chokei 40, Kakugata 3, Kakugata 4, Kakugata 5, Kakugata 6, 5 x 7", 13 x 18 cm, 10 x 15 cm, 10 x 20 cm, 4 x 8"

Borderless Printing Media Sizes

4" x 6", A4, Letter, A6, Hagaki Card, L, 2L, A5, 5" x 7", Legal, 10 x 15 cm, 13 x 18 cm, B5

Connectivity (standard)

USB 2.0 Specification Hi-Speed Certified, PictBridge Certified Port, 802.11g/b Wireless

PictBridge Certified USB Port

Yes

Digital Media Memory Card Compatibility

CompactFlash I & II, Sony Memory Stick, Memory Stick PRO, Secure Digital (SD) Card, MultiMediaCard (MMC), Microdrive, xD Card, Sony Memory Stick Duo (with adapter), Mini Secure Digital (Mini SD) Card (with adapter), Sony Memory Stick PRO Duo (with adapter), SanDisk TransFlash Memory Module (with adapter), RS-MMC (with adapter), xD Card Type M, Type H, MultiMediaCard (MMC) Mobile (with adapter), Micro Secure Digital (Micro SD) Card (with adapter), Secure Digital High Capacity (SDHC) Card (with adapter)

Reduce / Enlarge Range

25 - 400 %

Scan Area, Maximum

216 x 356 mm

Scan Area, Maximum

8.5 x 14 inches

Packaged Size (mm - H x W x D)

467 x 567 x 296 mm

Packaged Size (in. - H x W x D)

16.57 x 22.01 x 11.34 in.

Size (mm - H x W x D)

207 x 477 x 358 mm

Size (in. - H x W x D)

8.15 x 18.8 x 14.1 in.

Weight (kg)

8.53 kg

Weight (lb.)

18.8 lb.

Acoustics/Noise level (Operating mode)

47 dBA

Copy Noise Level, Operating

39 dBA

Scan Noise Level, Operating

36 dBA

Product Guarantee

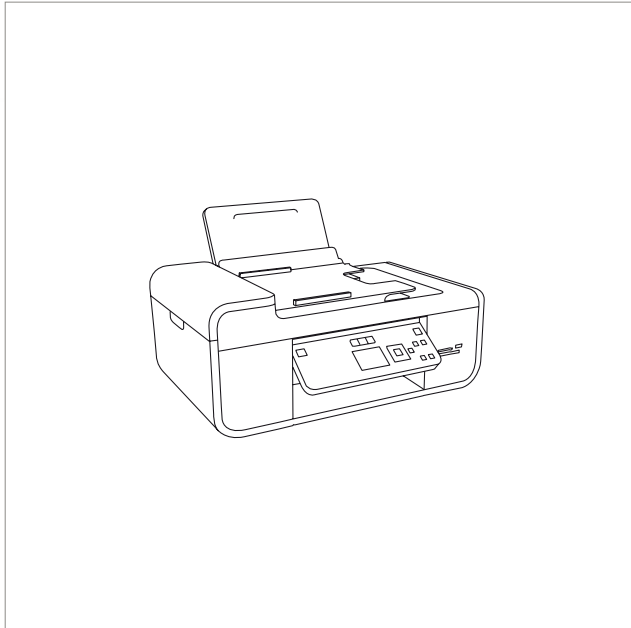
3 year guarantee upon registration

Product Certifications

Energy Star, FCC Class B, UL 60950 3rd Edition, CE Class B, CB IEC 60950 IEC 60825-1, C-tick mark Class B, CCC Class B, CSA, ICES Class B, GS (TÜV), SEMKO

Duty Cycle, Maximum

5000 pages per month



Part #	Model
0040S0001	Lexmark X4950

Part #	Inkjet Ink/Print Cartridge
018Y0141E	#41 Color Return Program Print Cartridge
018Y0142E	#42 Black Return Program Print Cartridge
018YX143E	#43 Color Print Cartridge
018Y0144E	#44 Black Print Cartridge
018Y0340E	#40 Photo Print Cartridge
018Y0341E	#41A Color Print Cartridge
018Y0342E	#42A Black Print Cartridge
0080D2966	Twin-Pack #44XL, #43XL Black and Color Print Cartridges

Part #	Paper & Transparencies
0019Y0205	PerfectFinish™ Photo Paper A4
0019Y0190	PerfectFinish™ Photo Paper, 10x15 cm (50)
0019Y0200	PerfectFinish™ Photo Paper, 10x15 cm (100)

Part #	Connectivity
001021294	USB (2 Meter) Cable

Lexmark X4975



Wireless 3-in-1 with Automatic Document Feeder

Print Technology

Thermal Inkjet

Colour Technology

4 Colour Inkjet - Cyan, Magenta, Yellow, Black, Optional

6-Colour Photo Printing

Scan Technology

CIS with 48 bit depth

Function

Color Copying, Color Printing, Color Scanning

Maximum Print Speed (Normal, Black)

Up to 13 ppm

Maximum Print Speed (Normal, Colour)

Up to 5 ppm

Maximum Print Speed (Draft, Black)

Up to 30 ppm

Maximum Print Speed (Draft, Colour)

Up to 27 ppm

Maximum Copy Speed (Normal, Black)

Up to 10 cpm

Maximum Copy Speed (Normal, Colour)

Up to 2 cpm

Maximum Copy Speed (Draft, Black)

Up to 25 cpm

Maximum Copy Speed (Draft, Colour)

Up to 21 cpm

Time to First Copy (Colour, Draft) as fast as

5 cpm

Time to First Copy (Colour, Normal) as fast as

1 cpm

Time to First Copy (Black, Normal) as fast as

3 cpm

Time to First Copy (Black, Draft) as fast as

8 cpm

Print Resolution, Black

Up to 1200 x 1200 dpi

Print Resolution, Colour

Up to 4800 x 2400 dpi

Scan Resolution, Enhanced

Up to 19,200 dpi

Scan Resolution, Optical

600 x 1200 dpi

Operating Systems Supported

XP, XP Professional x64, Vista, 2000 5.00.2195 or later, Vista x64, OS X (10.4.4-10.5.x Intel, PowerPC), OS X (10.3.9 Power PC)

Print (ASF) Paper Input Capacity, Maximum

100 pages 20 lb or 75 gsm bond

ADF Input Paper Sizes

A4, Legal, Letter

ADF Paper Input Capacity

Up to 25 pages 20 lb or 75 gsm bond

Media Types Supported

Card Stock, Envelopes, Labels, Plain Paper, Banner (A4 or Letter), Hagaki Card, Iron-On Transfers, Photo Paper, Heavy Weight Matte Paper

Media Sizes Supported

10 Envelope, 7 3/4 Envelope, 9 Envelope, A4, A5, B5 Envelope, C5 Envelope, DL Envelope, 6 3/4 Envelope, A2 Baronial, A6 Card, B5, C6 Envelope, Custom, Hagaki Card, Index Card, Executive, Legal, Letter, 4 x 6", Statement, L, 2L, Chokei 3, Chokei 4, Chokei 40, Kakugata 3, Kakugata 4, Kakugata 5, Kakugata 6, 5 x 7", 13 x 18 cm, 10 x 15 cm, 10 x 20 cm, 4 x 8"

Borderless Printing Media Sizes

4" x 6", A4, Letter, A6, Hagaki Card, L, 2L, A5, 5" x 7", Legal, 10 x 15 cm, 13 x 18 cm, B5

Connectivity (standard)

USB 2.0 Specification Hi-Speed Certified, PictBridge Certified Port, 802.11g/b Wireless

PictBridge Certified USB Port

Yes

Digital Media Memory Card Compatibility

CompactFlash I & II, Sony Memory Stick, Memory Stick PRO, Secure Digital (SD) Card, MultiMediaCard (MMC), Microdrive, xD Card, Sony Memory Stick Duo (with adapter), Mini Secure Digital (Mini SD) Card (with adapter), Sony Memory Stick PRO Duo (with adapter), SanDisk TransFlash Memory Module (with adapter), RS-MMC (with adapter), xD Card Type M, Type H, MultiMediaCard (MMC) Mobile (with adapter), Micro Secure Digital (Micro SD) Card (with adapter), Secure Digital High Capacity (SDHC) Card (with adapter)

Reduce / Enlarge Range

25 - 400 %

Scan Area, Maximum

216 x 356 mm

Scan Area, Maximum

8.5 x 14 inches

Packaged Size (mm - H x W x D)

467 x 567 x 296 mm

Packaged Size (in. - H x W x D)

16.57 x 22.01 x 11.34 in.

Size (mm - H x W x D)

207 x 477 x 358 mm

Size (in. - H x W x D)

8.15 x 18.8 x 14.1 in.

Weight (kg)

8.53 kg

Weight (lb.)

18.8 lb.

Acoustics/Noise level (Operating mode)

47 dBA

Copy Noise Level, Operating

39 dBA

Scan Noise Level, Operating

36 dBA

Product Guarantee

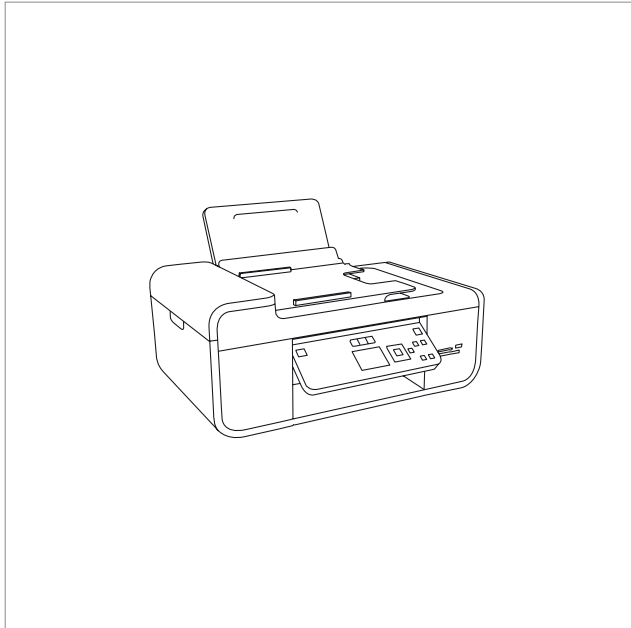
5 year guarantee upon registration

Product Certifications

Energy Star, FCC Class B, UL 60950 3rd Edition, CE Class B, CB IEC 60950 IEC 60825-1, C-tick mark Class B, CCC Class B, CSA, ICES Class B, GS (TÜV), SEMKO

Duty Cycle, Maximum

5000 pages per month



Part #	Model
0040S0301	Lexmark X4975

Part #	Inkjet Ink/Print Cartridge
018Y0141E	#41 Color Return Program Print Cartridge
018Y0142E	#42 Black Return Program Print Cartridge
018YX143E	#43 Color Print Cartridge
018Y0144E	#44 Black Print Cartridge
018Y0340E	#40 Photo Print Cartridge
018Y0341E	#41A Color Print Cartridge
018Y0342E	#42A Black Print Cartridge
0080D2966	Twin-Pack #44XL, #43XL Black and Color Print Cartridges

Part #	Paper & Transparencies
0019Y0205	PerfectFinish™ Photo Paper A4
0019Y0190	PerfectFinish™ Photo Paper, 10x15 cm (50)
0019Y0200	PerfectFinish™ Photo Paper, 10x15 cm (100)

Part #	Connectivity
001021294	USB (2 Meter) Cable

Lexmark X5070



Lexmark 5070 All-in-One with Fax provides business class speeds along with easy scan and copy capability and full feature fax functionality.

Print Technology

Thermal Inkjet

Colour Technology

4 Colour Inkjet - Cyan, Magenta, Yellow, Black, Optional

6-Colour Photo Printing

Scan Technology

CIS with 48 bit depth

Function

Color Copying, Color Printing, Color Scanning, Faxing

Maximum Print Speed (Normal, Black)

Up to 15 ppm

Maximum Print Speed (Normal, Colour)

Up to 3.5 ppm

Maximum Print Speed (Draft, Black)

Up to 24 ppm

Maximum Print Speed (Draft, Colour)

Up to 17 ppm

Maximum Copy Speed (Normal, Black)

Up to 5.5 cpm

Maximum Copy Speed (Normal, Color)

Up to 0.85 cpm

Maximum Copy Speed (Draft, Black)

Up to 16 cpm

Maximum Copy Speed (Draft, Color)

Up to 12 cpm

Time to First Copy (Colour, Draft) as fast as

17.3 seconds

Time to First Copy (Colour, Normal) as fast as

58.9 seconds

Time to First Copy (Black, Normal) as fast as

20.8 seconds

Time to First Copy (Black, Draft) as fast as

10.7 seconds

Print Resolution, Black

Up to 1200 x 1200 dpi

Print Resolution, Colour

Up to 4800 x 1200 dpi

Scan Resolution, Enhanced

Up to 19200 x 19200 dpi

Scan Resolution, Optical

600 x 1200 dpi

Operating Systems Supported

XP, XP Professional x64, Vista, OS X (10.4.4-10.4.x, Intel), OS X (10.3.x-10.4.x Power PC), 2000 5.00.2195 or later, Vista x64

Print (ASF) Paper Input Capacity, Maximum

100 pages 20 lb or 75 gsm bond

ADF Input Paper Sizes

A4, Legal, Letter, A5, Hagaki Card, Index Card (3 x 5"), B5, A6, L, 2L, 10 x 15 cm, 13 x 18 cm, 20 x 25 cm, 4 x 6", 5 x 7", 3.5 x 5", 9 x 13 cm, 6 x 8 cm

ADF Paper Input Capacity

Up to 30 pages 20 lb or 75 gsm bond

Media Types Supported

Card Stock, Coated Paper, Envelopes, Labels, Plain Paper, Transparencies, Banner (A4 or Letter), Hagaki Card, Index

Card (3"x5"), Photo Paper

Media Sizes Supported

10 Envelope, 7 3/4 Envelope, 9 Envelope, A4, A5, B5 Envelope, C5 Envelope, DL Envelope, 6 3/4 Envelope, A2 Baronial, A6 Card, B5, C6 Envelope, Custom, Hagaki Card, Index Card, Executive, Legal, Letter, 4 x 6", Statement, L, 2L, Chokey 3, Chokey 4, Chokey 40, Kakugata 3, Kakugata 4, Kakugata 5, Kakugata 6, 5 x 7", 13 x 18 cm, 10 x 15 cm, 10 x 20 cm, 4 x 8"

Borderless Printing Media Sizes

4" x 6", A4, Letter, A6, Hagaki Card, L, 2L, A5, 5" x 7", 89 x 127 mm, 10 x 15 cm, 13 x 18 cm

Connectivity (standard)

USB 2.0 Specification Hi-Speed Certified, PictBridge Certified Port, USB pass-through via PictBridge port

Connectivity (optional)

Lexmark N4000e Fast Ethernet (Print and Scan), Lexmark N4050e 802.11g Wireless Print Server (Print and Scan)

PictBridge Certified USB Port

Yes

Reduce / Enlarge Range

25 - 400 %

Scan Area, Maximum

216 x 355 mm

Scan Area, Maximum

8.5 x 14 inches

Modem Speed

33.6 Kbps

Packaged Size (mm - H x W x D)

331 x 542 x 398 mm

Packaged Size (in. - H x W x D)

13.03 x 15.7 x 21.3 in.

Size (mm - H x W x D)

193 x 454 x 325 mm

Size (in. - H x W x D)

7.6 x 17.9 x 12.8 in.

Weight (kg)

5.09 kg

Weight (lb.)

11.2 lb.

Acoustics/Noise level (Operating mode)

50 dBA

Copy Noise Level, Operating

50 dBA

Scan Noise Level, Operating

40 dBA

Product Guarantee

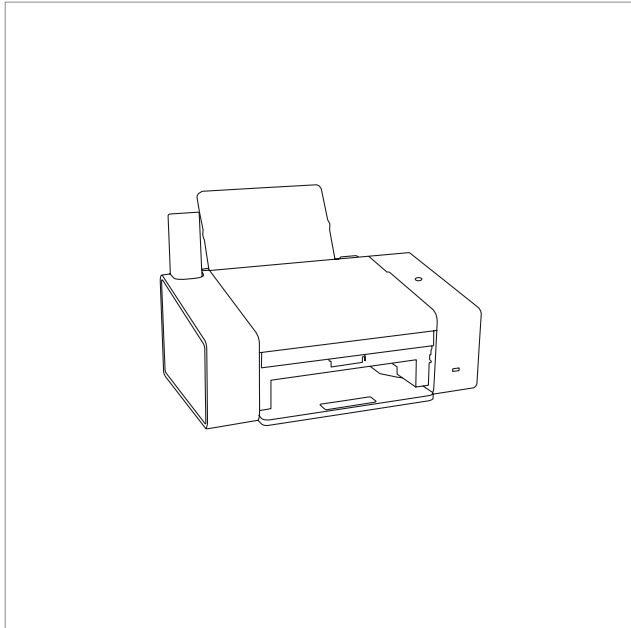
One Year Replace

Product Certifications

FCC Class B, UL 60950 3rd Edition, CE Class B, CB IEC 60950 IEC 60825-1, C-tick mark Class B, CCC Class B, CSA, ICES Class B, GS (TUV), SEMKO

Duty Cycle, Maximum

3000 pages per month

**Part # Model**

0011N1021 Lexmark X5070

Part # Inkjet Ink/Print Cartridge

018C1428E #28 Black Return Program Print Cartridge
018C1429E #29 Color Return Program Print Cartridge
018C1528E #28A Black Print Cartridge
018C1529E #29A Color Print Cartridge
018C0034E #34 High Yield Black Print Cartridge
018C0035E #35 High Yield Colour Print Cartridge
018C0031E #31 / 18C0031E Photo Color Print Cartridge
018C1520E Twin-Pack #28, #29 Black and Color Return Program Print Cartridges

Part # Paper & Transparencies

0021G0710 Premium Glossy Photo Paper - Photo Size 10x15
0021G0711 Premium Glossy Photo Paper - Photo Size 10x15
0080D1707 Premium Photo Paper A4 (15)
0021G0709 Premium Glossy Photo Paper A4
0080D1706 Photo Paper A4 (20)
0021G0708 Photo Paper A4 Size
0080D1903 Photo Paper A4-size, 10 x 15 cm Premium Photo Paper (20-sheets of
0080D1893 Premium Photo Paper A4 (2 x 15-sheet pack)

Part # Connectivity

001021294 USB (2 Meter) Cable
0014T0040 Lexmark N4000e Fast Ethernet Print Server
0014T0155 Lexmark N4050e 802.11g Wireless Print Server

Lexmark X5470



All-In-One with Fax and Photo Features

Print Technology

Thermal Inkjet

Colour Technology

4 Colour Inkjet - Cyan, Magenta, Yellow, Black, Optional

6-Colour Photo Printing

Scan Technology

CIS with 48 bit depth

Function

Color Copying, Color Printing, Color Scanning, Faxing

Maximum Print Speed (Normal, Black)

Up to 15 ppm

Maximum Print Speed (Normal, Colour)

Up to 5 ppm

Maximum Print Speed (Draft, Black)

Up to 25 ppm

Maximum Print Speed (Draft, Colour)

Up to 18 ppm

Maximum Copy Speed (Normal, Black)

Up to 3 cpm

Maximum Copy Speed (Normal, Colour)

Up to 2 cpm

Maximum Copy Speed (Draft, Black)

Up to 19 H / 17 S cpm

Maximum Copy Speed (Draft, Colour)

Up to 13 H / 11 S cpm

Time to First Copy (Colour, Draft) as fast as

11 seconds

Time to First Copy (Colour, Normal) as fast as

80 seconds

Time to First Copy (Black, Normal) as fast as

37 seconds

Time to First Copy (Black, Draft) as fast as

8 seconds

Print Resolution, Black

Up to 1200 x 1200 dpi

Print Resolution, Colour

Up to 4800 x 1200 dpi

Scan Resolution, Enhanced

up to 19200 dpi

Scan Resolution, Optical

600 x 1200 dpi

Operating Systems Supported

2000, XP, OS X (10.3.0-10.3.x), OS X (10.4.0-10.4.x), XP Professional x64, Vista, Vista x64

Print (ASF) Paper Input Capacity, Maximum

100 pages 20 lb or 75 gsm bond

ADF Input Paper Sizes

A4, Legal, Letter

ADF Paper Input Capacity

Up to 10 pages 20 lb or 75 gsm bond

Media Types Supported

Card Stock, Coated Paper, Envelopes, Labels, Plain Paper, Transparencies, Banner (A4 or Letter), Hagaki Card, Index Card (3"x5"), Photo Paper

Media Sizes Supported

10 Envelope, 7 3/4 Envelope, 9 Envelope, A4, A5, B5

Envelope, C5 Envelope, DL Envelope, 6 3/4 Envelope, A2 Baronial, A6 Card, B5, C6 Envelope, Custom, Hagaki Card, Index Card, Executive, Legal, Letter, 4 x 6", Statement, L, 2L, Chokei 3, Chokei 4, Chokei 40, Kakugata 3, Kakugata 4, Kakugata 5, Kakugata 6, 5 x 7", 13 x 18 cm, 10 x 15 cm, 10 x 20 cm, 4 x 8"

Borderless Printing Media Sizes

4" x 6", A4, Letter, A6, Hagaki Card, L, 2L, A5, 5" x 7", Legal, 89 x 127 mm, 10 x 15 cm, 13 x 18 cm, B5, 10 x 20 cm, 4" x 8"

Connectivity (standard)

USB 2.0 Specification Hi-Speed Certified, PictBridge Certified Port, USB pass-through via PictBridge port

Connectivity (optional)

Lexmark N4000e Fast Ethernet (Print and Scan), Lexmark N4050e 802.11g Wireless Print Server (Print and Scan)

PictBridge Certified USB Port

Yes

Digital Media Memory Card Compatibility

CompactFlash I & II, Sony Memory Stick, Memory Stick PRO, Secure Digital (SD) Card, MultiMediaCard (MMC), Microdrive, 4 Built-in Card Readers, xD Card, Sony Memory Stick Duo (with adapter), Mini Secure Digital (Mini SD) Card (with adapter), Sony Memory Stick PRO Duo (with adapter), SanDisk TransFlash Memory Module (with adapter), RS-MMC (with adapter)

Reduce / Enlarge Range

25 - 400 %

Scan Area, Maximum

216 x 355 mm

Scan Area, Maximum

8.5 x 14 inches

Modem Speed

33.6 Kbps

Packaged Size (mm - H x W x D)

263 x 567 x 398 mm

Packaged Size (in. - H x W x D)

10.4 x 22.3 x 15.7 in.

Size (mm - H x W x D)

192 x 454 x 320 mm

Size (in. - H x W x D)

7.6 x 17.9 x 12.6 in.

Weight (kg)

6.5 kg

Weight (lb.)

14.3 lb.

Acoustics/Noise level (Operating mode)

50 dBA

Copy Noise Level, Operating

50 dBA

Scan Noise Level, Operating

40 dBA

Product Guarantee

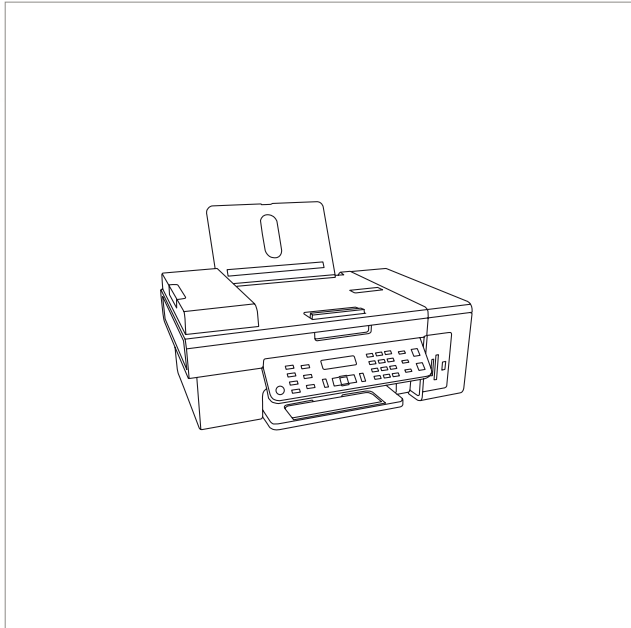
One year replacement, 3-5 business days response time

Product Certifications

FCC Class B, UL 60950 3rd Edition, CE Class B, CB IEC 60950 IEC 60825-1, C-tick mark Class B, CCC Class B, CSA, ICES Class B, GS (TUV), SEMKO

Duty Cycle, Maximum

3000 pages per month

**Part # Model**

0022N0021 Lexmark X5470

Part # Inkjet Ink/Print Cartridge

018C0031E #31 / 18C0031E Photo Color Print Cartridge
0018C0534 Twin-Pack #33 Color Print Cartridge
018C0034E #34 High Yield Black Print Cartridge
018C0035E #35 High Yield Colour Print Cartridge
0080D2178 Twin-Pack #31 Photo and #33 Color Print Cartridges
018CX032E #32 / 18C0032E Black Print Cartridge
018CX033E #33 / 18C0033E Color Print Cartridge
0080D2956 Twin-Pack #32 Black Print Cartridges
0080D2951 Combo-Pack #32, #33 Black and Color Print Cartridges

Part # Paper & Transparencies

0021G0710 Premium Glossy Photo Paper - Photo Size 10x15
0021G0711 Premium Glossy Photo Paper - Photo Size 10x15
0080D1707 Premium Photo IPaper A4 (15)
0021G0709 Premium Glossy Photo Paper A4
0080D1706 Photo Paper A4 (20)
0021G0708 Photo Paper A4 Size
0080D1903 Photo Paper A4-size, 10 x 15 cm Premium Photo Paper (20-sheets of
0080D1893 Premium Photo Paper A4 (2 x 15-sheet pack)

Part # Connectivity

001021294 USB (2 Meter) Cable
0014T0040 Lexmark N4000e Fast Ethernet Print Server
0014T0155 Lexmark N4050e 802.11g Wireless Print Server
0014T0230 MarkNet™ N7000e Fast Ethernet Print Server - USB
0014T0220 MarkNet™ N7020e Gigabit Ethernet Print Server

Lexmark X5650



Versatile all-in-one with fax.

Print Technology

Thermal Inkjet

Colour Technology

4 Colour Inkjet - Cyan, Magenta, Yellow, Black

Scan Technology

CIS with 48 bit depth

Function

Color Copying, Color Printing, Color Scanning, Faxing

Maximum Print Speed (Normal, Black)

Up to 13 ppm

Maximum Print Speed (Normal, Colour)

Up to 3 ppm

Maximum Print Speed (Draft, Black)

Up to 25 ppm

Maximum Print Speed (Draft, Colour)

Up to 18 ppm

Maximum Copy Speed (Normal, Black)

Up to 12 cpm

Maximum Copy Speed (Normal, Color)

Up to 2 cpm

Maximum Copy Speed (Draft, Black)

Up to 17 cpm

Maximum Copy Speed (Draft, Color)

Up to 11 cpm

Time to First Copy (Colour, Draft) as fast as

5 cpm

Time to First Copy (Colour, Normal) as fast as

1 cpm

Time to First Copy (Black, Normal) as fast as

3 cpm

Time to First Copy (Black, Draft) as fast as

5 cpm

Print Resolution, Black

Up to 1200 x 1200 dpi

Print Resolution, Colour

Up to 4800 x 1200 dpi

Scan Resolution, Enhanced

Up to 19200 x 19200 dpi

Scan Resolution, Optical

600 x 1200 dpi

Operating Systems Supported

XP, XP Professional x64, Vista, 2000 5.00.2195 or later, Vista x64, OS X (10.4.4-10.5.x Intel, PowerPC), OS X (10.3.9 Power PC)

Print (ASF) Paper Input Capacity, Maximum

100 pages 20 lb or 75 gsm bond

ADF Input Paper Sizes

A4, Legal, Letter

ADF Paper Input Capacity

Up to 25 pages 20 lb or 75 gsm bond

Media Types Supported

Card Stock, Envelopes, Plain Paper, Transparencies, Banner (A4 or Letter), Hagaki Card, Iron-On Transfers, Photo Paper, Heavy Weight Matte Paper

Media Sizes Supported

10 Envelope, 7 3/4 Envelope, 9 Envelope, A4, A5, B5

Envelope, C5 Envelope, DL Envelope, 6 3/4 Envelope,

A2 Baronial, A6 Card, B5, C6 Envelope, Custom,

Hagaki Card, Index Card, Executive, Legal, Letter, 4 x

6", Statement, L, 2L, Chokei 3, Chokei 4, Chokei 40,

Kakugata 3, Kakugata 4, Kakugata 5, Kakugata 6, 5 x 7",

13 x 18 cm, 10 x 15 cm

Borderless Printing Media Sizes

4" x 6", A4, Letter, A6, Hagaki Card, L, 2L, A5, 5" x 7",

Legal, 89 x 127 mm, 10 x 15 cm, 13 x 18 cm, B5, 10

x 20 cm, 4" x 8"

Connectivity (standard)

USB 2.0 Specification Hi-Speed Certified, USB Direct

Interface on Operator Panel, PictBridge Certified Port

Connectivity (optional)

Lexmark N4000e Fast Ethernet (Print and Scan), Lexmark

N4050e 802.11g Wireless Print Server (Print and Scan)

PictBridge Certified USB Port

Yes

Digital Media Memory Card Compatibility

CompactFlash I & II, Sony Memory Stick, Memory Stick

PRO, Secure Digital (SD) Card, MultiMediaCard (MMC),

Microdrive, Sony Memory Stick Duo (with adapter),

Mini Secure Digital (Mini SD) Card (with adapter),

Sony Memory Stick PRO Duo (with adapter), SanDisk

TransFlash Memory Module (with adapter), RS-MMC (with

adapter), xD Card Type M, Type H, MultiMediaCard (MMC)

Mobile (with adapter), Micro Secure Digital (Micro SD)

Card (with adapter), Secure Digital High Capacity (SDHC)

Card (with adapter)

Reduce / Enlarge Range

25 - 400 %

Scan Area, Maximum

216 x 355.6 mm

Scan Area, Maximum

8.5 x 14 inches

Modem Speed

33.6 Kbps

Packaged Size (mm - H x W x D)

421 x 545 x 316 mm

Packaged Size (in. - H x W x D)

16.575 x 21.457 x 12.44 in.

Size (mm - H x W x D)

205 x 465 x 295 mm

Size (in. - H x W x D)

8.1 x 18.3 x 11.6 in.

Weight (kg)

7.5 kg

Weight (lb.)

16.55 lb.

Acoustics/Noise level (Operating mode)

48 dBA

Copy Noise Level, Operating

43 dBA

Scan Noise Level, Operating

37 dBA

Product Guarantee

3 year guarantee upon registration

Product Certifications

Energy Star, CSA, c-UL-us, ICES Class B, Executive Order

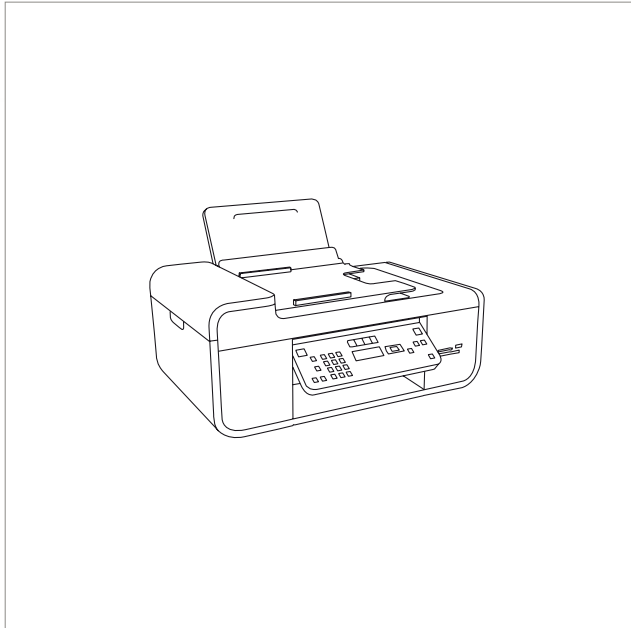
132221, CE Class B, CB IEC 60950 IEC 60825-1, GS

(TÜV), SEMKO, C-tick mark Class B, V85, CCC Class B,

BSMI Class B, METI

Duty Cycle, Maximum

3000 pages per month



Part #	Model
0020R1501	Lexmark X5650

Part #	Inkjet Ink/Print Cartridge
018C2170E	#36XL Black Return Program Print Cartridge
018C2130E	#36 Black Return Program Print Cartridge
018C2180E	#37XL Color Return Program Print Cartridge
018C2140E	#37 Color Return Program Print Cartridge
018C2190E	#36XLA Black Print Cartridge
018C2150E	#36 Black Print Cartridge
018C2200E	#37XLA Colour Print Cartridge
018C2160E	#37A Colour Print Cartridge
018C0031E	#31 / 18C0031E Photo Color Print Cartridge

Part #	Paper & Transparencies
0021G0710	Premium Glossy Photo Paper - Photo Size 10x15
0021G0711	Premium Glossy Photo Paper - Photo Size 10x15
0080D1707	Premium Photo IPaper A4 (15)
0021G0709	Premium Glossy Photo Paper A4
0080D1893	Premium Photo Paper A4 (2 x 15-sheet pack)
0080D1903	Photo Paper A4-size, 10 x 15 cm Premium Photo Paper (20-sheets of
0080D1706	Photo Paper A4 (20)
0021G0708	Photo Paper A4 Size

Part #	Connectivity
001021294	USB (2 Meter) Cable

Lexmark X6570



Get professional results with this wireless 4 in 1 device

Print Technology

Thermal Inkjet

Colour Technology

4 Colour Inkjet - Cyan, Magenta, Yellow, Black, Optional

6-Colour Photo Printing

Scan Technology

CIS with 48 bit depth

Function

Color Copying, Color Printing, Color Scanning, Faxing

Maximum Print Speed (Normal, Black)

Up to 10 ppm

Maximum Print Speed (Normal, Colour)

Up to 4 ppm

Maximum Print Speed (Draft, Black)

Up to 28 ppm

Maximum Print Speed (Draft, Colour)

Up to 24 ppm

Maximum Copy Speed (Normal, Black)

Up to 8 cpm

Maximum Copy Speed (Normal, Colour)

Up to 2 cpm

Maximum Copy Speed (Draft, Black)

Up to 24 cpm

Maximum Copy Speed (Draft, Colour)

Up to 23 cpm

Time to First Copy (Colour, Draft) as fast as

17.1 seconds

Time to First Copy (Colour, Normal) as fast as

44.5 seconds

Time to First Copy (Black, Normal) as fast as

12.5 seconds

Time to First Copy (Black, Draft) as fast as

7.2 seconds

Print Resolution, Black

Up to 1200 x 1200 dpi

Print Resolution, Colour

Up to 4800 x 2400 dpi

Scan Resolution, Enhanced

Up to 19,200 dpi dpi

Scan Resolution, Optical

600 x 1200 dpi

Operating Systems Supported

XP, XP Professional x64, Vista, OS X (10.4.4-10.4.x, Intel), OS X (10.3.x-10.4.x Power PC), 2000 5.0.0.2195 or later, Vista x64

Print (ASF) Paper Input Capacity, Maximum

100 pages 20 lb or 75 gsm bond

ADF Input Paper Sizes

A4, Legal, Letter

ADF Paper Input Capacity

Up to 25 pages 20 lb or 75 gsm bond

Media Types Supported

Card Stock, Coated Paper, Envelopes, Labels, Plain Paper, Banner (A4 or Letter), Hagaki Card, Iron-On Transfers, Photo Paper

Media Sizes Supported

10 Envelope, 7 3/4 Envelope, 9 Envelope, A4, A5, B5 Envelope, C5 Envelope, DL Envelope, 6 3/4 Envelope, A2 Baronial, A6 Card, B5, C6 Envelope, Custom, Hagaki Card, Index Card, Executive, Legal, Letter, 4 x 6", Statement, L, 2L, Chokei 3, Chokei 4, Chokei 40, Kakugata 3, Kakugata 4, Kakugata 5, Kakugata 6, 5 x 7", 13 x 18 cm, 10 x 15 cm, 10 x 20 cm, 4 x 8"

Borderless Printing Media Sizes

4" x 6", A4, Letter, A6, Hagaki Card, L, 2L, A5, 5" x 7", Legal, 89 x 127 mm, 10 x 15 cm, 13 x 18 cm, B5, 10 x 20 cm, 4" x 8"

Connectivity (standard)

USB 2.0 Specification Hi-Speed Certified, PictBridge Certified Port, USB pass-through via PictBridge port, 802.11g/b Wireless

PictBridge Certified USB Port

Yes

Digital Media Memory Card Compatibility

CompactFlash I & II, Sony Memory Stick, Memory Stick PRO, Secure Digital (SD) Card, MultiMediaCard (MMC), Microdrive, xD Card, Sony Memory Stick Duo (with adapter), Mini Secure Digital (Mini SD) Card (with adapter), Sony Memory Stick PRO Duo (with adapter), SanDisk TransFlash Memory Module (with adapter), RS-MMC (with adapter), xD Card Type M, Type H, MultiMediaCard (MMC) Mobile (with adapter), Micro Secure Digital (Micro SD) Card (with adapter)

Reduce / Enlarge Range

25 - 400 %

Scan Area, Maximum

216 x 355 mm

Scan Area, Maximum

8.5 x 14 Inches

Modem Speed

33.6 Kbps

Packaged Size (mm - H x W x D)

448 x 553 x 328 mm

Packaged Size (in. - H x W x D)

17.6 x 21.8 x 12.9 in.

Size (mm - H x W x D)

202 x 454 x 350 mm

Size (in. - H x W x D)

7.95 x 17.9 x 13.8 in.

Weight (kg)

8.0 kg

Weight (lb.)

17.5 lb.

Acoustics/Noise level (Operating mode)

50 dBA

Copy Noise Level, Operating

50 dBA

Scan Noise Level, Operating

40 dBA

Product Guarantee

One Year Replace

Product Certifications

Energy Star, FCC Class B, UL 60950 3rd Edition, CE Class B, CB IEC 60950 IEC 60825-1, C-tick mark Class B, CCC Class B, CSA, ICES Class B, GS (TÜV), SEMKO

Duty Cycle, Maximum

3000 pages per month

**Part # Model**

0016Y0721 Lexmark X6570

Part # Inkjet Ink/Print Cartridge

018Y0340E #40 Photo Print Cartridge
018Y0141E #41 Color Return Program Print Cartridge
018Y0142E #42 Black Return Program Print Cartridge
018Y0341E #41A Color Print Cartridge
018Y0342E #42A Black Print Cartridge
018Y0144E #44 Black Print Cartridge
0080D2966 Twin-Pack #44XL, #43XL Black and Color Print Cartridges
018YX143E #43 Color Print Cartridge

Part # Paper & Transparencies

0019Y0205 PerfectFinish™ Photo Paper A4
0019Y0190 PerfectFinish™ Photo Paper, 10x15 cm (50)
0019Y0200 PerfectFinish™ Photo Paper, 10x15 cm (100)

Part # Connectivity

001021294 USB (2 Meter) Cable
0014T0305 Lexmark N2050 802.11b/g Wireless Network Card

Lexmark X6650



Wireless 4-in-1

Print Technology

Thermal Inkjet

Colour Technology

4 Colour Inkjet - Cyan, Magenta, Yellow, Black, Optional

6-Colour Photo Printing

Scan Technology

CIS with 48 bit depth

Function

Color Copying, Color Printing, Color Scanning, Faxing

Maximum Print Speed (Normal, Black)

Up to 13 ppm

Maximum Print Speed (Normal, Colour)

Up to 3 ppm

Maximum Print Speed (Draft, Black)

Up to 25 ppm

Maximum Print Speed (Draft, Colour)

Up to 18 ppm

Maximum Copy Speed (Normal, Black)

Up to 12 cpm

Maximum Copy Speed (Normal, Color)

Up to 2 cpm

Maximum Copy Speed (Draft, Black)

Up to 17 cpm

Maximum Copy Speed (Draft, Color)

Up to 11 cpm

Time to First Copy (Colour, Draft) as fast as

5 cpm

Time to First Copy (Colour, Normal) as fast as

1 cpm

Time to First Copy (Black, Normal) as fast as

3 cpm

Time to First Copy (Black, Draft) as fast as

5 cpm

Print Resolution, Black

Up to 1200 x 1200 dpi

Print Resolution, Colour

Up to 4800 x 1200 dpi

Scan Resolution, Enhanced

Up to 19200 x 19200 dpi

Scan Resolution, Optical

600 x 1200 dpi

Operating Systems Supported

XP, XP Professional x64, Vista, 2000 5.00.2195 or later, Vista x64, OS X (10.4.4-10.5.x Intel, PowerPC), OS X (10.3.9 Power PC)

Print (ASF) Paper Input Capacity, Maximum

100 pages 20 lb or 75 gsm bond

ADF Input Paper Sizes

A4, Legal, Letter

ADF Paper Input Capacity

Up to 25 pages 20 lb or 75 gsm bond

Media Types Supported

Card Stock, Envelopes, Labels, Plain Paper, Transparencies, Banner (A4 or Letter), Hagaki Card, Iron-On Transfers, Photo Paper, Heavy Weight Matte Paper

Media Sizes Supported

10 Envelope, 7 3/4 Envelope, 9 Envelope, A4, A5, B5 Envelope, C5 Envelope, DL Envelope, 6 3/4 Envelope, A2 Baronial, A6 Card, B5, C6 Envelope, Custom, Hagaki Card, Index Card, Executive, Legal, Letter, 4 x 6", Statement, L, 2L, Choikei 3, Choikei 4, Choikei 40, Kakugata 3, Kakugata 4, Kakugata 5, Kakugata 6, 5 x 7", 13 x 18 cm, 10 x 15 cm

Borderless Printing Media Sizes

4" x 6", A4, Letter, A6, Hagaki Card, L, 2L, A5, 5" x 7", Legal, 89 x 127 mm, 10 x 15 cm, 13 x 18 cm, B5, 10 x 20 cm, 4" x 8"

Connectivity (standard)

USB 2.0 Specification Hi-Speed Certified, USB Direct interface on Operator Panel, USB pass-through via PictBridge port, 802.11g/b Wireless

PictBridge Certified USB Port

Yes

Digital Media Memory Card Compatibility

CompactFlash I & II, Sony Memory Stick, Memory Stick PRO, Secure Digital (SD) Card, MultiMediaCard (MMC), Microdrive, Sony Memory Stick Duo (with adapter), Mini Secure Digital (Mini SD) Card (with adapter), Sony Memory Stick PRO Duo (with adapter), SanDisk TransFlash Memory Module (with adapter), RS-MMC (with adapter), xD Card Type M, Type H, MultiMediaCard (MMC) Mobile (with adapter), Micro Secure Digital (Micro SD) Card (with adapter), Secure Digital High Capacity (SDHC) Card (with adapter)

Reduce / Enlarge Range

25 - 400 %

Scan Area, Maximum

216 x 355.6 mm

Scan Area, Maximum

8.5 x 14 inches

Modem Speed

33.6 Kbps

Packaged Size (mm - H x W x D)

421 x 545 x 316 mm

Packaged Size (in. - H x W x D)

16.575 x 21.457 x 12.444 in.

Size (mm - H x W x D)

205 x 465 x 295 mm

Size (in. - H x W x D)

8.1 x 18.3 x 11.6 in.

Weight (kg)

7.5 kg

Weight (lb.)

16.55 lb.

Acoustics/Noise level (Operating mode)

48 dBA

Copy Noise Level, Operating

43 dBA

Scan Noise Level, Operating

37 dBA

Product Guarantee

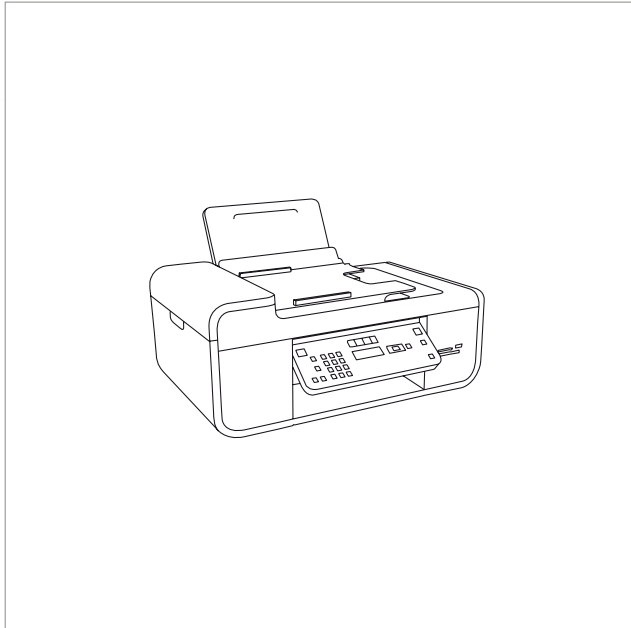
3 year guarantee upon registration

Product Certifications

Energy Star, CSA, c-UL-us, ICES Class B, Executive Order 132221, CE Class B, CB IEC 60950 IEC 60825-1, GS (TÜV), SEMKO, C-tick mark Class B, V85, CCC Class B, BSMI Class B, METI

Duty Cycle, Maximum

3000 pages per month



Part #	Model
0020R1001	Lexmark X6650

Part #	Inkjet Ink/Print Cartridge
018C2170E	#36XL Black Return Program Print Cartridge
018C2130E	#36 Black Return Program Print Cartridge
018C2190E	#36LA Black Print Cartridge
018C2150E	#36 Black Print Cartridge
018C2180E	#37XL Color Return Program Print Cartridge
018C2140E	#37 Color Return Program Print Cartridge
018C2200E	#37LA Colour Print Cartridge
018C2160E	#37A Colour Print Cartridge
018C0031E	#31 / 18C0031E Photo Color Print Cartridge

Part #	Paper & Transparencies
0021G0710	Premium Glossy Photo Paper - Photo Size 10x15
0021G0711	Premium Glossy Photo Paper - Photo Size 10x15
0080D1707	Premium Photo IPaper A4 (15)
0021G0709	Premium Glossy Photo Paper A4
0080D1893	Premium Photo Paper A4 (2 x 15-sheet pack)
0080D1903	Photo Paper A4-size, 10 x 15 cm Premium Photo Paper (20-sheets of
0080D1706	Photo Paper A4 (20)
0021G0708	Photo Paper A4 Size

Part #	Connectivity
001021294	USB (2 Meter) Cable

Lexmark X6675



Wireless All-in-One with Fax



Print Technology

Thermal Inkjet

Colour Technology

4 Colour Inkjet - Cyan, Magenta, Yellow, Black, Optional

6-Colour Photo Printing

Scan Technology

CIS with 48 bit depth

Function

Color Copying, Color Printing, Color Scanning, Faxing

Maximum Print Speed (Normal, Black)

Up to 13 ppm

Maximum Print Speed (Normal, Colour)

Up to 3 ppm

Maximum Print Speed (Draft, Black)

Up to 25 ppm

Maximum Print Speed (Draft, Colour)

Up to 18 ppm

Maximum Copy Speed (Normal, Black)

Up to 12 cpm

Maximum Copy Speed (Normal, Color)

Up to 2 cpm

Maximum Copy Speed (Draft, Black)

Up to 17 cpm

Maximum Copy Speed (Draft, Color)

Up to 11 cpm

Time to First Copy (Colour, Draft) as fast as

5 cpm

Time to First Copy (Colour, Normal) as fast as

1 cpm

Time to First Copy (Black, Normal) as fast as

3 cpm

Time to First Copy (Black, Draft) as fast as

5 cpm

Print Resolution, Black

Up to 1200 x 1200 dpi

Print Resolution, Colour

Up to 4800 x 1200 dpi

Scan Resolution, Enhanced

Up to 19200 x 19200 dpi

Scan Resolution, Optical

600 x 1200 dpi

Operating Systems Supported

XP, XP Professional x64, Vista, 2000 5.00.2195 or later, Vista x64, OS X (10.4.4-10.5.x Intel, PowerPC), OS X (10.3.9 Power PC)

Print (ASF) Paper Input Capacity, Maximum

100 pages 20 lb or 75 gsm bond

ADF Input Paper Sizes

A4, Legal, Letter

ADF Paper Input Capacity

Up to 25 pages 20 lb or 75 gsm bond

Media Types Supported

Card Stock, Envelopes, Labels, Plain Paper, Transparencies, Banner (A4 or Letter), Hagaki Card, Iron-On Transfers, Photo Paper, Heavy Weight Matte Paper

Media Sizes Supported

10 Envelope, 7 3/4 Envelope, 9 Envelope, A4, A5, B5 Envelope, C5 Envelope, DL Envelope, 6 3/4 Envelope, A2 Baronial, A6 Card, B5, C6 Envelope, Custom, Hagaki Card, Index Card, Executive, Legal, Letter, 4 x 6", Statement, L, 2L, Chokei 3, Chokei 4, Chokei 40, Kakugata 3, Kakugata 4, Kakugata 5, Kakugata 6, 5 x 7", 13 x 18 cm, 10 x 15 cm

Borderless Printing Media Sizes

4" x 6", A4, Letter, A6, Hagaki Card, L, 2L, A5, 5" x 7", Legal, 89 x 127 mm, 10 x 15 cm, 13 x 18 cm, B5, 10 x 20 cm, 4" x 8"

Connectivity (standard)

USB 2.0 Specification Hi-Speed Certified, USB Direct interface on Operator Panel, USB pass-through via PictBridge port, 802.11g/b Wireless

PictBridge Certified USB Port

Yes

Digital Media Memory Card Compatibility

CompactFlash I & II, Sony Memory Stick, Memory Stick PRO, Secure Digital (SD) Card, MultiMediaCard (MMC), Microdrive, Sony Memory Stick Duo (with adapter), Mini Secure Digital (Mini SD) Card (with adapter), Sony Memory Stick PRO Duo (with adapter), SanDisk TransFlash Memory Module (with adapter), RS-MMC (with adapter), xD Card Type M, Type H, MultiMediaCard (MMC) Mobile (with adapter), Micro Secure Digital (Micro SD) Card (with adapter), Secure Digital High Capacity (SDHC) Card (with adapter)

Reduce / Enlarge Range

25 - 400 %

Scan Area, Maximum

216 x 355.6 mm

Scan Area, Maximum

8.5 x 14 inches

Modem Speed

33.6 Kbps

Packaged Size (mm - H x W x D)

421 x 545 x 316 mm

Packaged Size (in. - H x W x D)

16.575 x 21.457 x 12.444 in.

Size (mm - H x W x D)

205 x 465 x 295 mm

Size (in. - H x W x D)

8.1 x 18.3 x 11.6 in.

Weight (kg)

7.5 kg

Weight (lb.)

16.55 lb.

Acoustics/Noise level (Operating mode)

48 dBA

COPY Noise Level, Operating

43 dBA

Scan Noise Level, Operating

37 dBA

Product Guarantee

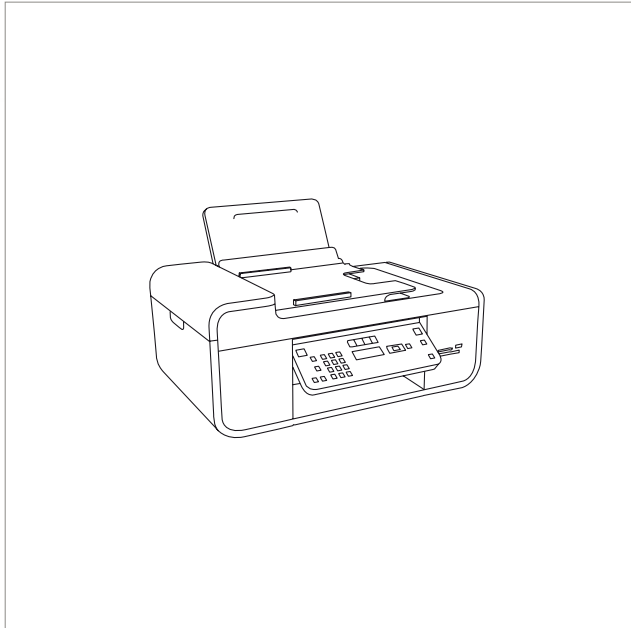
5 year guarantee upon registration

Product Certifications

Energy Star, CSA, c-UL-us, ICES Class B, Executive Order 132221, CE Class B, CB IEC 60950 IEC 60825-1, GS (TUV), SEMKO, C-tick mark Class B, V85, CCC Class B, BSMI Class B, METI

Duty Cycle, Maximum

3000 pages per month



Part #	Model
0020R1701	Lexmark X6675

Part #	Inkjet Ink/Print Cartridge
018C2170E	#36XL Black Return Program Print Cartridge
018C2130E	#36 Black Return Program Print Cartridge
018C2190E	#36LA Black Print Cartridge
018C2150E	#36 Black Print Cartridge
018C2180E	#37XL Color Return Program Print Cartridge
018C2140E	#37 Color Return Program Print Cartridge
018C2200E	#37LA Colour Print Cartridge
018C2160E	#37A Colour Print Cartridge
018C0031E	#31 / 18C0031E Photo Color Print Cartridge

Part #	Paper & Transparencies
0021G0710	Premium Glossy Photo Paper - Photo Size 10x15
0021G0711	Premium Glossy Photo Paper - Photo Size 10x15
0080D1707	Premium Photo IPaper A4 (15)
0021G0709	Premium Glossy Photo Paper A4
0080D1893	Premium Photo Paper A4 (2 x 15-sheet pack)
0080D1903	Photo Paper A4-size, 10 x 15 cm Premium Photo Paper (20-sheets of
0080D1706	Photo Paper A4 (20)
0021G0708	Photo Paper A4 Size

Part #	Connectivity
001021294	USB (2 Meter) Cable

Lexmark X7550



Increased productivity made easy
and affordable

Print Technology

Thermal Inkjet

Color Technology

4 Color Inkjet - Cyan, Magenta, Yellow, Black, Optional

6-Color Photo Printing

Scan Technology

CIS with 48 bit depth

Function

Color Copying, Color Printing, Color Scanning, Faxing

Maximum Print Speed (Normal, Black)

Up to 10 ppm

Maximum Print Speed (Normal, Colour)

Up to 4 ppm

Maximum Print Speed (Draft, Black)

Up to 30 ppm

Maximum Print Speed (Draft, Colour)

Up to 27 ppm

Maximum Copy Speed (Normal, Black)

Up to 8 cpm

Maximum Copy Speed (Normal, Colour)

Up to 2 cpm

Maximum Copy Speed (Draft, Black)

Up to 25 cpm

Maximum Copy Speed (Draft, Colour)

Up to 25 cpm

Time to First Copy (Colour, Draft) as fast as

17.1 seconds

Time to First Copy (Colour, Normal) as fast as

44.5 seconds

Time to First Copy (Black, Normal) as fast as

12.5 seconds

Time to First Copy (Black, Draft) as fast as

9.8 seconds

Print Resolution, Black

Up to 1200 x 1200 dpi

Print Resolution, Color

Up to 4800 x 1200 dpi

Scan Resolution, Enhanced

Up to 19,200 dpi dpi

Scan Resolution, Optical

600 x 1200 dpi

Operating Systems Supported

XP, XP Professional x64, Vista, OS X (10.4.4-10.4.x, Intel), OS X (10.3.x-10.4.x, Power PC), 2000 5.0.0.2195 or later, Vista x64

Print (ASF) Paper Input Capacity (Maximum)

100 pages 20 lb or 75 gsm bond

Copy/Fax/Scan (ADF) Input Paper Sizes

A4, Legal, Letter

Copy/Fax/Scan (ADF) Paper Input Capacity

Up to 25 pages 20 lb or 75 gsm bond

Media Types Supported

Card Stock, Coated Paper, Envelopes, Labels, Plain Paper, Banner (A4 or Letter), Hagaki Card, Iron-On Transfers, Photo Paper

Media Sizes Supported

10 Envelope, 7 3/4 Envelope, A4, A5, B5 Envelope, C5 Envelope, DL Envelope, 6 3/4 Envelope, A2 Baronial, A6 Card, B5, C6 Envelope, Custom, Hagaki Card, Index Card, Executive, Legal, Letter, 4 x 6", Statement, L, 2L, Choikei 3, Choikei 4, Choikei 40, Kakugata 3, Kakugata 4, Kakugata 5, Kakugata 6, 5 x 7", 13 x 18 cm, 10 x 15 cm, 10 x 20 cm, 4 x 8"

Borderless Printing Media Sizes

4" x 6", A4, Letter, A6, Hagaki Card, L, 2L, A5, 5" x 7", Legal, 89 x 127 mm, 10 x 15 cm, 13 x 18 cm, B5, 10 x 20 cm, 4" x 8"

Connectivity (standard)

USB 2.0 Specification Hi-Speed Certified, PictBridge Certified Port, USB pass-through via PictBridge port, 802.11g Wireless

PictBridge Certified USB Port

Yes

Digital Media Memory Card Compatibility

CompactFlash I & II, Sony Memory Stick, Memory Stick PRO, Secure Digital (SD) Card, MultiMediaCard (MMC), Microdrive, xD Card, Sony Memory Stick Duo (with adapter), Mini Secure Digital (Mini SD) Card (with adapter), Sony Memory Stick PRO Duo (with adapter), SanDisk TransFlash Memory Module (with adapter), RS-MMC (with adapter), xD Card Type M, Type H, MultiMediaCard (MMC) Mobile (with adapter), Micro Secure Digital (Micro SD) Card (with adapter)

Reduce / Enlarge Range

25 - 400 %

Scan Area, Maximum

216 x 355 mm

Scan Area, Maximum

8.5 x 14 Inches

Modem Speed

33.6 Kbps

Packaged Size (mm - H x W x D)

448 x 553 x 328 mm

Packaged Size (" - H x W x D)

17.6 x 21.8 x 12.9 "

Size (mm - H x W x D)

202 x 454 x 350 mm

Size (" - H x W x D)

7.95 x 17.9 x 13.8 "

Weight (kg)

8.0 kg

Weight (lbs)

17.5 lbs.

Acoustics/Noise level (Operating mode)

50 dBA

Copy Noise Level, Operating

50 dBA

Scan Noise Level, Operating

40 dBA

Product Guarantee

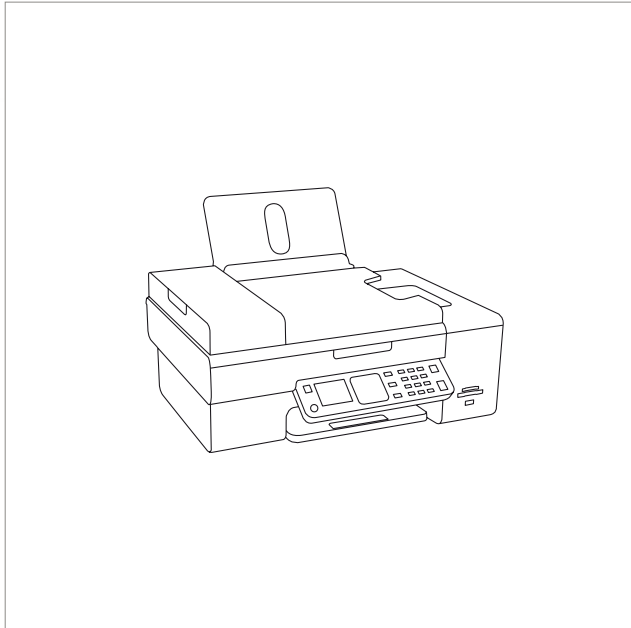
One Year Replace

Product Certifications

Energy Star, FCC Class B, UL 60950 3rd Edition, CE Class B, CB IEC 60950 IEC 60825-1, C-tick mark Class B, CCC Class B, CSA, ICES Class B, GS (TÜV), SEMKO

Duty Cycle, Maximum

3000 Pages per month



Part #	Model
0016Y1002	Lexmark X7550

Part #	Inkjet Ink/Print Cartridge
018Y0340E	#40 Photo Print Cartridge
018Y0141E	#41 Color Return Program Print Cartridge
018Y0142E	#42 Black Return Program Print Cartridge
018Y0341E	#41A Color Print Cartridge
018Y0342E	#42A Black Print Cartridge
018Y0144E	#44 Black Print Cartridge

Part #	Paper & Transparencies
0019Y0205	PerfectFinish™ Photo Paper A4
0019Y0190	PerfectFinish™ Photo Paper, 10x15 cm (50)
0019Y0200	PerfectFinish™ Photo Paper, 10x15 cm (100)

Part #	Connectivity
001021294	USB (2 Meter) Cable

Lexmark X7675



Experience increased productivity with wireless, a 25-page ADF, 2-sided printing and included XL cartridges!

Print Technology

Thermal Inkjet

Colour Technology

4 Colour Inkjet - Cyan, Magenta, Yellow, Black, Optional

6-Colour Photo Printing

Scan Technology

CIS with 48 bit depth

Function

Color Copying, Color Printing, Color Scanning, Faxing

Maximum Print Speed (Normal, Black)

Up to 13 ppm

Maximum Print Speed (Normal, Colour)

Up to 5 ppm

Maximum Print Speed (Draft, Black)

Up to 32 ppm

Maximum Print Speed (Draft, Colour)

Up to 27 ppm

Maximum Copy Speed (Normal, Black)

Up to 10 cpm

Maximum Copy Speed (Normal, Colour)

Up to 2 cpm

Maximum Copy Speed (Draft, Black)

Up to 25 cpm

Maximum Copy Speed (Draft, Colour)

Up to 21 cpm

Time to First Copy (Colour, Draft) as fast as

5 cpm

Time to First Copy (Colour, Normal) as fast as

1 cpm

Time to First Copy (Black, Normal) as fast as

3 cpm

Time to First Copy (Black, Draft) as fast as

8 cpm

Print Resolution, Black

Up to 1200 x 1200 dpi

Print Resolution, Colour

Up to 4800 x 2400 dpi

Scan Resolution, Enhanced

Up to 19,200 dpi dpi

Scan Resolution, Optical

600 x 1200 dpi

Operating Systems Supported

XP, XP Professional x64, Vista, 2000 5.00.2195 or later, Vista x64, OS X (10.4.4-10.5.x Intel, PowerPC), OS X (10.3.9 Power PC)

Print (ASF) Paper Input Capacity, Maximum

100 pages 20 lb or 75 gsm bond

ADF Input Paper Sizes

A4, Legal, Letter

ADF Paper Input Capacity

Up to 25 pages 20 lb or 75 gsm bond

Media Types Supported

Card Stock, Envelopes, Labels, Plain Paper, Banner (A4 or Letter), Hagaki Card, Iron-On Transfers, Photo Paper, Heavy Weight Matte Paper

Media Sizes Supported

10 Envelope, 7 3/4 Envelope, A4, A5, B5 Envelope, C5 Envelope, DL Envelope, 6 3/4 Envelope, A2 Baronial, A6 Card, B5, C6 Envelope, Custom, Hagaki Card, Index Card, Executive, Legal, Letter, 4 x 6", Statement, L, 2L, Chokei 3, Chokei 4, Chokei 40, Kakugata 3, Kakugata 4, Kakugata 5, Kakugata 6, 5 x 7", 13 x 18 cm, 10 x 15 cm, 10 x 20 cm, 4 x 8"

Borderless Printing Media Sizes

4" x 6", A4, Letter, A6, Hagaki Card, L, 2L, A5, 5" x 7", Legal, 89 x 127 mm, 10 x 15 cm, 13 x 18 cm, B5

Connectivity (standard)

Fast Ethernet, USB 2.0 Specification Hi-Speed Certified, PictBridge Certified Port, USB pass-through via PictBridge port, 802.11g/b Wireless

PictBridge Certified USB Port

Yes

Digital Media Memory Card Compatibility

CompactFlash I & II, Sony Memory Stick, Memory Stick PRO, Secure Digital (SD) Card, MultiMediaCard (MMC), Microdrive, xD Card, Sony Memory Stick Duo (with adapter), Mini Secure Digital (Mini SD) Card (with adapter), Sony Memory Stick PRO Duo (with adapter), SanDisk TransFlash Memory Module (with adapter), RS-MMC (with adapter), xD Card Type M, Type H, MultiMediaCard (MMC) Mobile (with adapter), Micro Secure Digital (Micro SD) Card (with adapter), Secure Digital High Capacity (SDHC) Card (with adapter)

Reduce / Enlarge Range

25 - 400 %

Scan Area, Maximum

216 x 355 mm

Scan Area, Maximum

8.5 x 14 inches

Modem Speed

33.6 Kbps

Packaged Size (mm - H x W x D)

464 x 567 x 326 mm

Packaged Size (in. - H x W x D)

18.3 x 22.3 x 12.8 in.

Size (mm - H x W x D)

207 x 477 x 358 mm

Size (in. - H x W x D)

8.15 x 18.8 x 14.1 in.

Weight (kg)

8.53 kg

Weight (lb.)

18.8 lb.

Acoustics/Noise level (Operating mode)

47 dBA

Copy Noise Level, Operating

40 dBA

Scan Noise Level, Operating

34 dBA

Product Guarantee

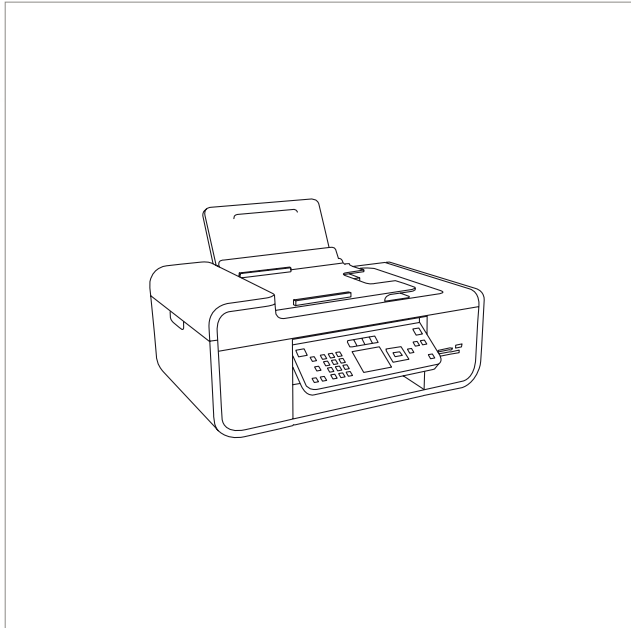
5 year guarantee upon registration

Product Certifications

Energy Star, FCC Class B, UL 60950 3rd Edition, CE Class B, CB IEC 60950 IEC 60825-1, C-tick mark Class B, CCC Class B, CSA, ICES Class B, GS (TÜV), SEMKO

Duty Cycle, Maximum

5000 pages per month

**Part # Model**

0012V0301 Lexmark X7675

Part # Inkjet Ink/Print Cartridge

018Y0144E #44 Black Print Cartridge
018Y0142E #42 Black Return Program Print Cartridge
018Y0141E #41 Color Return Program Print Cartridge
018Y0340E #40 Photo Print Cartridge
018Y0342E #42A Black Print Cartridge
018Y0341E #41A Color Print Cartridge
0080D2966 Twin-Pack #44XL, #43XL Black and Color Print Cartridges
018YX143E #43 Color Print Cartridge

Part # Paper & Transparencies

0019Y0205 PerfectFinish™ Photo Paper A4
0019Y0190 PerfectFinish™ Photo Paper, 10x15 cm (50)
0019Y0200 PerfectFinish™ Photo Paper, 10x15 cm (100)

Lexmark X9350



The Lexmark™ X9350 Wireless Office All-in-One with Duplex increases flexibility and productivity with wireless printing options.

Print Technology

Thermal Inkjet

Colour Technology

4 Colour Inkjet - Cyan, Magenta, Yellow, Black, Optional 6-Colour Photo Printing

Scan Technology

CIS / CCD with 48 bit depth

Function

Color Copying, Color Printing, Color Scanning, Faxing

Maximum Print Speed (Normal, Black)

Up to 11 ppm

Maximum Print Speed (Normal, Colour)

Up to 5 ppm

Maximum Print Speed (Draft, Black)

Up to 32 ppm

Maximum Print Speed (Draft, Colour)

Up to 27 ppm

Maximum Copy Speed (Normal, Black)

Up to 11 H / 10 S cpm

Maximum Copy Speed (Normal, Colour)

Up to 2 H / 3 S cpm

Maximum Copy Speed (Draft, Black)

Up to 27 H / 25 S cpm

Maximum Copy Speed (Draft, Colour)

Up to 26 H / 23 S cpm

Time to First Copy (Colour, Draft) as fast as

20.1 seconds

Time to First Copy (Colour, Normal) as fast as

67.3 seconds

Time to First Copy (Black, Normal) as fast as

24.1 seconds

Time to First Copy (Black, Draft) as fast as

17.8 seconds

Print Resolution, Black

Up to 1200 x 1200 dpi

Print Resolution, Colour

Up to 4800 x 1200 dpi

Scan Resolution, Enhanced

Up to 19,200 dpi dpi

Scan Resolution, Optical

1200 x 4800 dpi

Operating Systems Supported

2000, XP, OS X (10.3.0-10.3.x), OS X (10.4.0-10.4.x), XP Professional x64, Vista, Vista x64

Print (ASF) Paper Input Capacity, Maximum

150 + 150 pages 20 lb or 75 gsm bond

ADF Input Paper Sizes

A4, Legal, Letter

ADF Paper Input Capacity

Up to 50 pages 20 lb or 75 gsm bond

Media Types Supported

Card Stock, Envelopes, Labels, Plain Paper, Transparencies, Banner (A4 or Letter), Hagaki Card, Iron-On Transfers, Photo Paper, Heavy Weight Matte Paper

Media Sizes Supported

10 Envelope, 7 3/4 Envelope, 9 Envelope, A4, A5, B5

Envelope, C5 Envelope, DL Envelope, 6 3/4 Envelope, A2 Baronial, A6 Card, B5, C6 Envelope, Custom, Hagaki Card, Index Card, Executive, Legal, Letter, 4 x 6", Statement, L, 2L, Chokei 3, Chokei 4, Chokei 40, Kakugata 3, Kakugata 4, Kakugata 5, Kakugata 6, 13 x 18 cm, 10 x 15 cm, 10 x 20 cm, 4 x 8"

Borderless Printing Media Sizes

4" x 6", A4, Letter, A6, Hagaki Card, L, 2L, A5, 5" x 7", Legal, 10 x 15 cm, 13 x 18 cm, B5, 3" x 5"

Connectivity (standard)

Fast Ethernet, USB 2.0 Specification Hi-Speed Certified, PictBridge Certified Port, USB pass-through via PictBridge port, 802.11g Wireless

Connectivity (optional)

Lexmark N4000e Fast Ethernet (Print, Scan and Network Fax), Lexmark N4050e 802.11g Wireless Print Server (Print, Scan and Network Fax)

PictBridge Certified USB Port

Yes

Digital Media Memory Card Compatibility

CompactFlash I & II, Sony Memory Stick, Memory Stick PRO, Secure Digital (SD) Card, MultiMediaCard (MMC), Microdrive, xD Card, Sony Memory Stick Duo (with adapter), Mini Secure Digital (Mini SD) Card (with adapter), Sony Memory Stick PRO Duo (with adapter), RS-MMC (with adapter)

Reduce / Enlarge Range

25 - 400 %

Scan Area, Maximum

216 x 355 mm

Scan Area, Maximum

8.5 x 14 inches

Modem Speed

33.6 Kbps

Packaged Size (mm - H x W x D)

471 x 558 x 373 mm

Packaged Size (in. - H x W x D)

18.5 x 22 x 14.7 in.

Size (mm - H x W x D)

269 x 465 x 384 mm

Size (in. - H x W x D)

10.6 x 18.3 x 15.1 in.

Weight (kg)

10.2 kg

Weight (lb.)

22.5 lb.

Acoustics/Noise level (Operating mode)

52 dBA

Copy Noise Level, Operating

48 dBA

Scan Noise Level, Operating

28 dBA

Product Guarantee

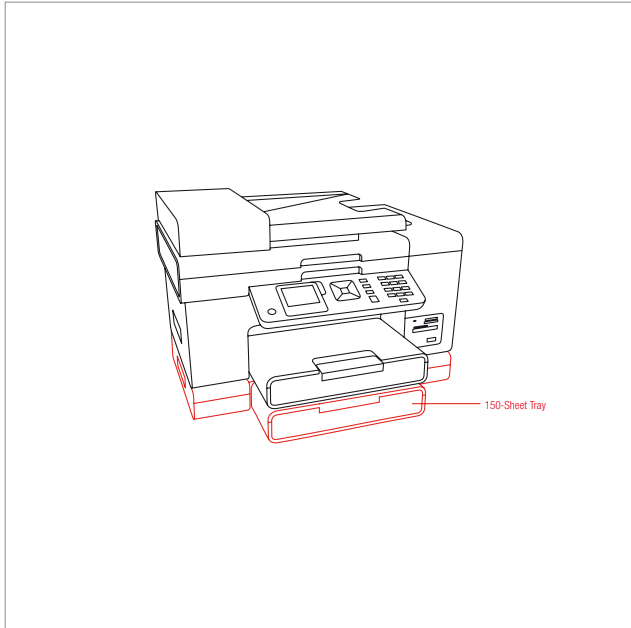
One Year Exchange Limited Warranty

Product Certifications

FCC Class B, UL 60950 3rd Edition, CE Class B, CB IEC 60950 IEC 60825-1, C-tick mark Class B, CCC Class B, CSA, ICES Class B, GS (TUV), SEMKO

Duty Cycle, Maximum

5,000 pages per month



■ Paper Handling Optional

Part # Model
0030B0000 Lexmark X9350

Part # Inkjet Ink/Print Cartridge
018Y0340E #40 Photo Print Cartridge
018Y0144E #44 Black Print Cartridge
0080D2966 Twin-Pack #44XL, #43XL Black and Color Print Cartridges
018YX143E #43 Color Print Cartridge

Part # Paper & Transparencies
0019Y0205 PerfectFinish™ Photo Paper A4
0019Y0190 PerfectFinish™ Photo Paper, 10x15 cm (50)
0019Y0200 PerfectFinish™ Photo Paper, 10x15 cm (100)

Part # Paper Handling
0030B0199 X9350 150-Sheet Paper Tray

Part # Connectivity
001021294 USB (2 Meter) Cable



Lexmark X340 MFP

Low cost, full functionality – right on your desktop!

Print Technology

Monochrome Laser

Function

Color Scanning, Copying, Faxing, Printing

Print Speed (A4, Black)

Up to 25 ppm

Print Speed (Letter, Black)

Up to 27 ppm

Time to First Page (Black)

As fast as 10 seconds

Copy Speed (A4, Black)

Up to 25 cpm

Copy Speed (Letter, Black)

Up to 27 cpm

Time to First Copy (Black)

As fast as 12 seconds

Print Resolution, Black

600 x 600 dpi

Scanning Resolution

600 X 600 dpi (mono)

Processor

150 Mhz

Memory, Standard

64 MB

Memory, Maximum

64 MB

Expandable Memory Options

No

Citrix MetaFrame

Microsoft Windows 2000 Server running Terminal Services with Citrix MetaFrame XP Presentation Server or Citrix MetaFrame Presentation Server 3.0., Microsoft Windows Server 2003 running Terminal Services with Citrix MetaFrame XP Presentation Server or Citrix MetaFrame Presentation Server 3.0, Microsoft Windows 2000 Server running Terminal Services with Citrix Presentation Server 4.0, Microsoft Windows Server 2003 running Terminal Services with Citrix Presentation Server 4.0, Microsoft Windows Server 2003 x64 running Terminal Services with Citrix Presentation Server 4.0

Microsoft Windows Operating Systems Supported

2000, XP, Server 2003, XP x64, Server 2003 running Terminal Services, 2000 Server running Terminal Services, Server 2003 x64, Server 2003 x64 running Terminal Services

Paper Handling Standard

150-Sheet Output Bin, Single Sheet Exit, Single Sheet Manual Feed, 250-Sheet Input Tray

Paper Handling Optional

550-Sheet Drawer

Paper Input Capacity, Standard

250 pages 20 lb or 75 gsm bond

Paper Input Capacity, Maximum

800 pages 20 lb or 75 gsm bond

Paper Output Capacity, Standard

150 pages 20 lb or 75 gsm bond

Paper Output Capacity, Maximum

150 pages 20 lb or 75 gsm bond

ADF Paper Input Capacity

Up to 50 pages 20 lb or 75 gsm bond

Envelope Capacity

1

Finishing Option

No

Number of Paper Inputs, Standard

1

Number of Paper Inputs, Maximum

2

Media Types Supported

Card Stock, Envelopes, Paper Labels, Plain Paper, Transparencies, Refer to the Card Stock & Label Guide

Media Sizes Supported

10 Envelope, 7 3/4 Envelope, 9 Envelope, A4, A5, B5 Envelope, C5 Envelope, DL Envelope, Executive, Folio, JIS-B5, Legal, Letter, Statement

Connectivity (standard)

USB 2.0 Specification Hi-Speed Certified

Connectivity (optional)

Lexmark N4000e Fast Ethernet (Print Only), Lexmark N4050e 802.11g Wireless Print Server (Print Only), External MarkNet™ N7020e Gigabit Ethernet, External MarkNet™ N7000e Fast Ethernet (USB)

Printable Area

4.0 mm of the top, bottom, right and left edges (within)

Printable Area

0.157 inches of the top, bottom, right and left edges (within)

Printer Languages (Standard)

PCL 5e Emulation, PCL 6 Emulation

Reduce / Enlarge Range

25–400 %

Scan Area, Maximum

216 x 355.6 mm

Scan Area, Maximum

8.5 x 14 inches

Modem Speed

33.6 Kbps

Supplies Yield

2,500*-page Toner Cartridge, 30,000*-page Photoconductor Kit, Ships with 1,500*-page Starter Return Program Toner Cartridge, *Average standard page yield value declared in accordance with ISO/IEC 19752.

Packaged Size (mm - H x W x D)

550 x 590 x 495 mm

Packaged Size (in. - H x W x D)

21.6 x 23.3 x 19.5 in.

Size (mm - H x W x D)

521 x 530 x 394 mm

Size (in. - H x W x D)

20.5 x 20.8 x 15.5 in.

Weight (kg)

16.33 kg

Weight (lb.)

36 lb.

Acoustics/Noise level (Idle mode)

27 dBA

Acoustics/Noise level (Operating mode)

51 dBA

Copy Noise Level, Operating

52 dBA

Scan Noise Level, Operating

49 dBA

Product Guarantee

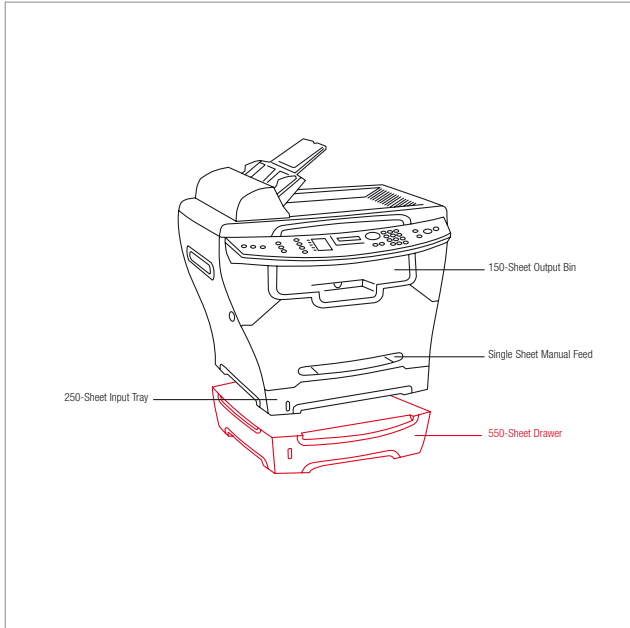
One year on site repair, next business day response time.

Product Certifications

CSA, ICES Class A, BSMI Class A, VCCI Class A, FCC Class A, UL 60950-1, IEC 320-1, ECMA-74, CE Class A, CB IEC 60950 1, IEC 61000-3-2, -3-3, EN 55022, EN 55024, CISPIR 22 Class A, GS (TÜV)-EN 60950-1, SEMKO, UL AR, CS, TÜV Rh, N Mark, C-tick Class A, CCC Class A, RPC, PSB, MIC, EK - K60950

Specified Operating Environment

Temperature: 16 to 32°C (60 to 90°F), Humidity: 8 to 80% Relative Humidity, Altitude: 0 - 2500 Meters (8,200 Feet)



■ Paper Handling Standard
■ Paper Handling Optional

Part #	Model
0020D0145	Lexmark X340 MFP
Part # Laser Toner/Print Cartridge	
0X340A11G	X340, X342 Return Program Toner Cartridge
0X340A21G	X340, X342 Toner Cartridge
0X340H22G	X340, X342 Photoconductor Kit
Part # Paper & Transparencies	
0012A5010	Lexmark Laser Printers - A4 Transparency
Part # Paper Handling	
0028S0803	550-Sheet Drawer
Part # Connectivity	
001021294	USB (2 Meter) Cable
0014T0040	Lexmark N4000e Fast Ethernet Print Server
0014T0155	Lexmark N4050e 802.11g Wireless Print Server
0014T0230	MarkNet™ N7000e Fast Ethernet Print Server - USB
0014T0220	MarkNet™ N7020e Gigabit Ethernet Print Server
Part # Extended Warranties	
002348714	1 Year OnSite Repair Extended Guarantee
002348715	2 Year OnSite Repair Extended Guarantee
002348718	1 Year Renewal OnSite Repair Guarantee
002348716	X340 3 Year OnSite Repair Ext Warranty
Part # User Replaceable Parts	
0040X3499	X340, X342 ADF High Friction Pick Roll Pad
0040X2404	X340, X342 ADF Pick Roll Pad
0040X2401	X340, X342 ADF Pick Roller



Lexmark X342n MFP

Fast, affordable multifunction for small workgroups!

Print Technology

Monochrome Laser

Function

Color Scanning, Copying, Faxing, Network Scanning, Printing

Print Speed (A4, Black)

Up to 25 ppm

Print Speed (Letter, Black)

Up to 27 ppm

Time to First Page (Black)

As fast as 10 seconds

Copy Speed (A4, Black)

Up to 25 cpm

Copy Speed (Letter, Black)

Up to 27 cpm

Time to First Copy (Black)

As fast as 12 seconds

Print Resolution, Black

600 x 600 dpi

Scanning Resolution

600 X 600 dpi (mono)

Processor

150 Mhz

Memory, Standard

64 MB

Memory, Maximum

64 MB

Expandable Memory Options

No

Citrix MetaFrame

Citrix, MetaFrame and MetaFrame XP are registered trademarks or trademarks of Citrix Systems, Inc. in the U.S. and other countries. Microsoft Windows 2000 Server running Terminal Services with Citrix MetaFrame XP Presentation Server or Citrix MetaFrame Presentation Server 3.0, Microsoft Windows Server 2003 running Terminal Services with Citrix MetaFrame XP Presentation Server or Citrix MetaFrame Presentation Server 3.0, Microsoft Windows 2000 Server running Terminal Services with Citrix Presentation Server 4.0, Microsoft Windows Server 2003 running Terminal Services with Citrix Presentation Server 4.0, Microsoft Windows Server 2003 x64 running Terminal Services with Citrix Presentation Server 4.0

Microsoft Windows Operating Systems Supported

2000, XP, Server 2003, XP x64, Server 2003 running Terminal Services, 2000 Server running Terminal Services, Server 2003 x64, Server 2003 x64 running Terminal Services

Paper Handling Standard

150-Sheet Output Bin, Single Sheet Exit, Single Sheet Manual Feed, 250-Sheet Input Tray

Paper Handling Optional

550-Sheet Drawer

Paper Input Capacity, Standard

250 pages 20 lb or 75 gsm bond

Paper Input Capacity, Maximum

800 pages 20 lb or 75 gsm bond

Paper Output Capacity, Standard

150 pages 20 lb or 75 gsm bond

Paper Output Capacity, Maximum

150 pages 20 lb or 75 gsm bond

ADF Paper Input Capacity

Up to 50 pages 20 lb or 75 gsm bond

Envelope Capacity

1

Finishing Option

No

Number of Paper Inputs, Standard

1

Number of Paper Inputs, Maximum

2

Media Types Supported

Card Stock, Envelopes, Paper Labels, Plain Paper, Transparencies, Refer to the Card Stock & Label Guide

Media Sizes Supported

10 Envelope, 7 3/4 Envelope, 9 Envelope, A4, A5, B5 Envelope, C5 Envelope, DL Envelope, Executive, Folio, JIS-B5, Legal, Letter, Statement

Connectivity (standard)

Fast Ethernet, USB 2.0 Specification Hi-Speed Certified

Connectivity (optional)

Lexmark N4050e 802.11g Wireless Print Server (Print Only), External MarkNet™ N7020e Gigabit Ethernet

Network Printing Methods

LPR/LPD, Direct IP (Port 9100), IPP (Internet Printing Protocol), HTTP, FTP, TFTP

Network Protocol Support

TCP/IP IPv4, TCP/IP IPv6

Printable Area

4,0 mm of the top, bottom, right and left edges (within)

Printable Area

0,157 inches of the top, bottom, right and left edges (within)

Printer Languages (Standard)

PCL 5e Emulation, PCL 6 Emulation

Reduce / Enlarge Range

25 - 400 %

Scan Area, Maximum

216 x 355,6 mm

Scan Area, Maximum

8,5 x 14 inches

Modem Speed

33,6 Kbps

Supplies Yield

2,500*-page Toner Cartridge, 6,000*-page High Yield Toner Cartridge, 30,000*-page Photoconductor Kit, Ships with 2,500*-page Return Program Toner Cartridge, *Average standard page yield value declared in accordance with ISO/IEC 19752.

Packaged Size (mm - H x W x D)

550 x 590 x 495 mm

Packaged Size (in. - H x W x D)

21,6 x 23,3 x 19,5 in.

Size (mm - H x W x D)

521 x 530 x 394 mm

Size (in. - H x W x D)

20,5 x 20,8 x 15,5 in.

Weight (kg)

16,33 kg

Weight (lb.)

36 lb.

Acoustics/Noise level (Idle mode)

27 dBA

Acoustics/Noise level (Operating mode)

51 dBA

Copy Noise Level, Operating

52 dBA

Scan Noise Level, Operating

49 dBA

Product Guarantee

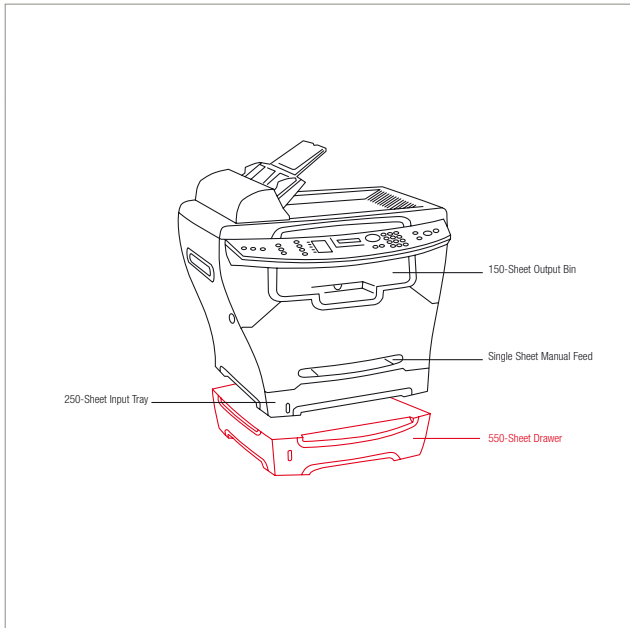
One year on site repair, next business day response time.

Product Certifications

CSA, ICES Class A, BSMI Class A, VCCI Class A, FCC Class A, UL 60950-1, IEC 320-1, ECMA-74, CE Class A, CB IEC 60950-1, IEC 61000-3-2, -3-3, EN 55022, EN 55024, CISPR 22 Class A, GS (TÜV)-EN 60950-1, SEMKO, UL AR, CS, TÜV Rh, N Mark, C-tick Class A, CCC Class A, RPC, PSB, MIC, EK - K60950

Specified Operating Environment

Temperature: 16 to 32°C (60 to 90°F), Humidity: 8 to 80% Relative Humidity, Altitude: 0 - 2500 Meters (8,200 Feet)



■ Paper Handling Standard
■ Paper Handling Optional

Part # Model
0020D0146 Lexmark X342n MFP

Part # Laser Toner/Print Cartridge
0X340H11G X342 High Yield Return Program Toner Cartridge
0X340A11G X340, X342 Return Program Toner Cartridge
0X340H21G X342 High Yield Toner Cartridge
0X340A21G X340, X342 Toner Cartridge
0X340H22G X340, X342 Photoconductor Kit

Part # Paper & Transparencies
0012A5010 Lexmark Laser Printers - A4 Transparency

Part # Paper Handling
0028S0803 550-Sheet Drawer

Part # Connectivity
001021294 USB (2 Meter) Cable
0014T0155 Lexmark N4050e 802.11g Wireless Print Server
0014T0220 MarkNet™ N7020e Gigabit Ethernet Print Server

Part # Extended Warranties
002348748 1 Year OnSite Repair Extended Guarantee
002348749 2 Year OnSite Repair Extended Guarantee
002348752 1 Year Renewal OnSite Repair Guarantee
002348750 X342n 3 Year OnSite Repair Ext Warranty

Part # User Replaceable Parts
0040X3499 X340, X342 ADF High Friction Pick Roll Pad
0040X2404 X340, X342 ADF Pick Roll Pad
0040X2401 X340, X342 ADF Pick Roller



Lexmark X500n

High-performance colour printing,
copying and scanning

Print Technology

Color Laser

Print Speed (A4, Black)

Up to 31 ppm

Print Speed (A4, Colour)

Up to 8 ppm

Print Speed (Letter, Black)

Up to 31 ppm

Print Speed (Letter, Colour)

Up to 8 ppm

Time to First Page (Black)

As fast as 13 seconds

Time to First Page (Colour)

As fast as 19 seconds

Copy Speed (A4, Black)

Up to 31 cpm

Copy Speed (Letter, Black)

Up to 31 cpm

Time to First Copy (Black)

As fast as 25 seconds

Print Resolution, Black

1200 x 600 dpi

Print Resolution, Colour

1200 x 600 dpi

Processor

366 MHz

Memory, Standard

128 MB

Memory, Maximum

128 MB

Expandable Memory Options

No

Apple Macintosh Operating Systems Supported

Mac OS X (10.2 - 10.4)

Microsoft Windows Operating Systems Supported

2000, XP, Server 2003, XP x64, Server 2003 x64, Vista, Vista x64

Paper Handling Standard

250-Sheet Output Bin, 250-Sheet Input Tray

Paper Handling Optional

530-Sheet Drawer

Paper Input Capacity, Standard

250 pages 20 lb or 75 gsm bond

Paper Input Capacity, Maximum

780 pages 20 lb or 75 gsm bond

Paper Output Capacity, Standard

250 pages 20 lb or 75 gsm bond

Paper Output Capacity, Maximum

250 pages 20 lb or 75 gsm bond

ADF Paper Input Capacity

Up to 35 pages 20 lb or 75 gsm bond

Envelope Capacity

15

Finishing Option

No

Number of Paper Inputs, Standard

1

Number of Paper Inputs, Maximum

2

Media Types Supported

Card Stock, Envelopes, Glossy paper, Labels, Plain Paper, Transparencies, Refer to the Card Stock & Label Guide

Media Sizes Supported

10 Envelope, 9 Envelope, A4, A5, B5 Envelope, C5 Envelope, DL Envelope, Executive, Folio, JIS-B5, Letter, Statement, Universal, Legal with Optional Legal Tray

Connectivity (standard)

Fast Ethernet, USB 2.0 Specification Hi-Speed Certified

Network Printing Methods

LPR/LPD, Direct IP (Port 9100), IPP (Internet Printing Protocol), HTTP

Network Protocol Support

TCP/IP IPv4

Printable Area

5.0 mm of the top, bottom, right and left edges (within)

Printable Area

0.197 inches of the top, bottom, right and left edges (within)

Printer Languages (Standard)

Host-Based Printing

Reduce / Enlarge Range

25 - 400 %

Scan Area, Maximum

215.9 x 355.6 mm

Scan Area, Maximum

8.5 x 14 inches

Supplies Yield

1,500*-page colour Toner Cartridges (CMY), 2,500*-page black Toner Cartridge, 3,000*-page colour High Yield Toner Cartridges (CMY), 5,000*-page black High Yield

Toner Cartridge, *Average continuous black or continuous composite CMY declared cartridge yield up to this

number of standard pages in accordance with ISO/IEC 19798.

Ships with 1,500*-page CMY Toner Cartridges,

Ships with 2,500*-page Black Toner Cartridge

Packaged Size (mm - H x W x D)

760 x 595 x 575 mm

Packaged Size (in. - H x W x D)

29.9 x 23.4 x 22.6 in.

Size (mm - H x W x D)

534 x 482 x 437 mm

Size (in. - H x W x D)

21.0 x 19.0 x 17.2 in.

Weight (kg)

35 kg

Weight (lb.)

77 lb.

Acoustics/Noise level (Idle mode)

34 dBA

Acoustics/Noise level (Operating mode)

54 dBA

Copy Noise Level, Operating

59 dBA

Scan Noise Level, Operating

51 dBA

Product Guarantee

1-Year Onsite Repair

Product Certifications

FCC Class B, UL 60950-1, U.S. FDA, IEC 60320-1,

CAN/CSA-C22.2 60950-00, ICES Class B, CE Class B,

CB IEC 60320, IEC 60825-1, GS (TÜV), SEMKO, UL AR,

CS, TÜV R, ACA C-tick mark Class B, BSMI Class B, CCC

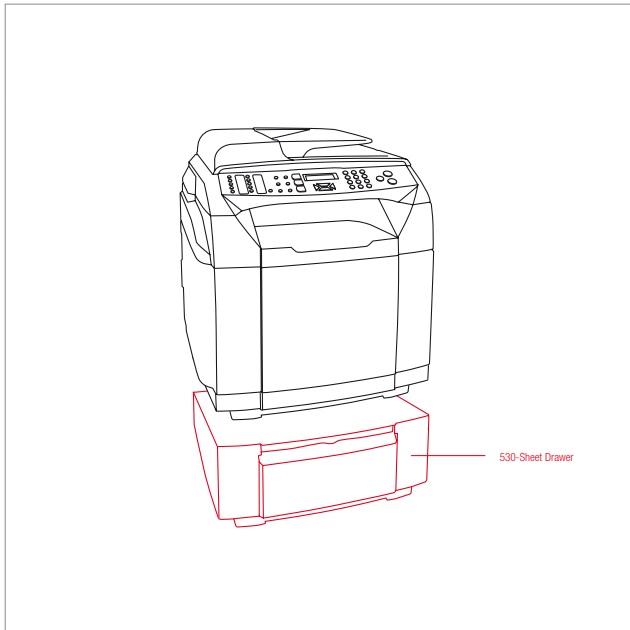
Class B, EK, MIC

Specified Operating Environment

Altitude: 0 - 2500 Meters (8,200 Feet), Humidity: 15 to

80% Relative Humidity, Temperature:

10 to 32°C (50 to 90°F)



■ Paper Handling Standard
■ Paper Handling Optional

Part #	Model
0025C0040	Lexmark X500n

Part #	Laser Toner/Print Cartridge
0C500H2KG	C500, X500, X502 Black High Yield Toner Cartridge
0C500H2CG	C500, X500, X502 Cyan High Yield Toner Cartridge
0C500H2MG	C500, X500, X502 Magenta High Yield Toner Cartridge
0C500H2YG	C500, X500, X502 Yellow High Yield Toner Cartridge
0C500S2KG	C500, X500, X502 Black Toner Cartridge
0C500S2CG	C500, X500, X502 Cyan Toner Cartridge
0C500S2MG	C500, X500, X502 Magenta Toner Cartridge
0C500S2YG	C500, X500, X502 Yellow Toner Cartridge
0C500X26G	C500, X500, X502 Photodeveloper Cartridge
0C500X27G	C500, X500, X502 Waste Toner Bottle
0C500X29G	C500, C510, X500, X502 Fuser Maintenance Kit HV
0C500X28G	C500, C510, X500, X502 Fuser Maintenance Kit LV

Part #	Paper & Transparencies
0012A8241	Professional Colour Laser Transparencies, A4
0012A5951	Glossy Laser Paper, A4 (200)
0012A5950	Glossy Laser Paper, Letter (200)

Part #	Paper Handling
0022R0194	C500 530-Sheet Drawer

Part #	Connectivity
001021294	USB (2 Meter) Cable
0014T0155	Lexmark N4050e 802.11g Wireless Print Server
0014T0220	MarkNet™ N7020e Gigabit Ethernet Print Server

Part #	Extended Warranties
002349428	1 Year OnSite Repair Extended Guarantee
002349429	2 Year OnSite Repair Extended Guarantee
002349430	3 Year OnSite Repair Extended Guarantee
002349432	1 Year Renewal OnSite Repair Extended Guarantee



Lexmark X502n

A complete 4-in-1 solution,
including advanced faxing

Print Technology

Color Laser

Print Speed (A4, Black)

Up to 31 ppm

Print Speed (A4, Colour)

Up to 8 ppm

Print Speed (Letter, Black)

Up to 31 ppm

Print Speed (Letter, Colour)

Up to 8 ppm

Time to First Page (Black)

As fast as 13 seconds

Time to First Page (Colour)

As fast as 19 seconds

Copy Speed (A4, Black)

Up to 31 cpm

Copy Speed (Letter, Black)

Up to 31 cpm

Time to First Copy (Black)

As fast as 25 seconds

Print Resolution, Black

1200 x 600 dpi

Print Resolution, Colour

1200 x 600 dpi

Processor

366 MHz

Memory, Standard

128 MB

Memory, Maximum

128 MB

Expandable Memory Options

No

Apple Macintosh Operating Systems Supported

Mac OS X (10.2 - 10.4)

Microsoft Windows Operating Systems Supported

2000, XP, Server 2003, XP x64, Server 2003 x64, Vista

Paper Handling Standard

250-Sheet Output Bin, 250-Sheet Input Tray

Paper Handling Optional

530-Sheet Drawer

Paper Input Capacity, Standard

250 pages 20 lb or 75 gsm bond

Paper Input Capacity, Maximum

780 pages 20 lb or 75 gsm bond

Paper Output Capacity, Standard

250 pages 20 lb or 75 gsm bond

Paper Output Capacity, Maximum

250 pages 20 lb or 75 gsm bond

ADF Paper Input Capacity

Up to 35 pages 20 lb or 75 gsm bond

Envelope Capacity

15

Finishing Option

No

Number of Paper Inputs, Standard

1

Number of Paper Inputs, Maximum

2

Media Types Supported

Card Stock, Envelopes, Glossy paper, Labels, Plain Paper, Transparencies, Refer to the Card Stock & Label Guide

Media Sizes Supported

10 Envelope, 9 Envelope, A4, A5, B5 Envelope, C5 Envelope, DL Envelope, Executive, Folio, JIS-B5, Letter, Statement, Universal, Legal with Optional Legal Tray

Connectivity (standard)

Fast Ethernet, USB 2.0 Specification Hi-Speed Certified

Network Printing Methods

LPR/LPD, Direct IP (Port 9100), HTTP, IPP 1.1 (Internet Printing Protocol)

Network Protocol Support

TCP/IP IPv4

Printable Area

5.0 mm of the top, bottom, right and left edges (within)

Printable Area

0.197 inches of the top, bottom, right and left edges (within)

Printer Languages (Standard)

Host-Based Printing

Reduce / Enlarge Range

25 - 400 %

Scan Area, Maximum

215.9 x 355.6 mm

Scan Area, Maximum

8.5 x 14 inches

Modem Speed

33.6 Kbps

Supplies Yield

1,500*-page colour Toner Cartridges (CMY), 2,500*-page black Toner Cartridge, 3,000*-page colour High Yield Toner Cartridges (CMY), 5,000*-page black High Yield Toner Cartridge, *Average continuous black or continuous composite CMY declared cartridge yield up to this number of standard pages in accordance with ISO/IEC 19798., Ships with 1,500*-page CMY Toner Cartridges, Ships with 2,500*-page Black Toner Cartridge

Packaged Size (mm - H x W x D)

760 x 595 x 575 mm

Packaged Size (in. - H x W x D)

29.9 x 23.4 x 22.6 in.

Size (mm - H x W x D)

534 x 482 x 437 mm

Size (in. - H x W x D)

21.0 x 19.0 x 17.2 in.

Weight (kg)

35 kg

Weight (lb.)

77 lb.

Acoustics/Noise level (Idle mode)

34 dBA

Acoustics/Noise level (Operating mode)

54 dBA

Copy Noise Level, Operating

59 dBA

Scan Noise Level, Operating

51 dBA

Printer Guarantee

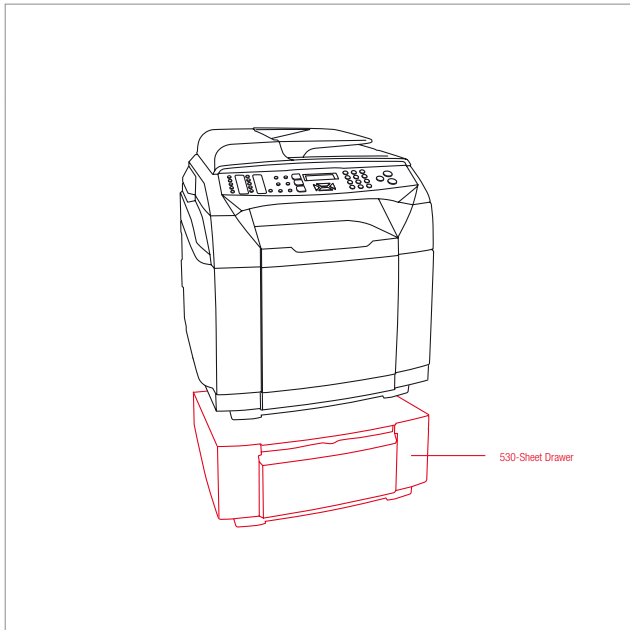
1-Year Onsite Repair

Product Certifications

FCC Class B, UL 60950-1, U.S. FDA, IEC 60320-1, CAN/CSA-C22.2 60950-00, ICES Class B, CE Class B, CB IEC 60320, IEC 60825-1, GS (TÜV), SEMKO, UL AR, CS, TÜV R, ACA C-tick mark Class B, BSMI Class B, CCC Class B, EK, MIC

Specified Operating Environment

Altitude: 0 - 2500 Meters (8,200 Feet), Humidity: 15 to 80% Relative Humidity, Temperature: 10 to 32°C (50 to 90°F)



■ Paper Handling Standard
■ Paper Handling Optional

Part #	Model
0025C0240	Lexmark X502n

Part #	Laser Toner/Print Cartridge
0C500H2KG	C500, X500, X502 Black High Yield Toner Cartridge
0C500H2CG	C500, X500, X502 Cyan High Yield Toner Cartridge
0C500H2MG	C500, X500, X502 Magenta High Yield Toner Cartridge
0C500H2YG	C500, X500, X502 Yellow High Yield Toner Cartridge
0C500S2KG	C500, X500, X502 Black Toner Cartridge
0C500S2CG	C500, X500, X502 Cyan Toner Cartridge
0C500S2MG	C500, X500, X502 Magenta Toner Cartridge
0C500S2YG	C500, X500, X502 Yellow Toner Cartridge
0C500X26G	C500, X500, X502 Photodeveloper Cartridge
0C500X27G	C500, X500, X502 Waste Toner Bottle
0C500X29G	C500, C510, X500, X502 Fuser Maintenance Kit HV

Part #	Paper & Transparencies
0012A8241	Professional Colour Laser Transparencies, A4
0012A5951	Glossy Laser Paper, A4 (200)
0012A5950	Glossy Laser Paper, Letter (200)

Part #	Paper Handling
0022R0194	C500 530-Sheet Drawer

Part #	Connectivity
001021294	USB (2 Meter) Cable
0014T0155	Lexmark N4050e 802.11g Wireless Print Server
0014T0220	MarkNet™ N7020e Gigabit Ethernet Print Server

Part #	Extended Warranties
002349428	1 Year OnSite Repair Extended Guarantee
002349429	2 Year OnSite Repair Extended Guarantee
002349430	3 Year OnSite Repair Extended Guarantee
002349432	1 Year Renewal OnSite Repair Extended Guarantee

NEW

Lexmark X560n

The ideal colour MFP for medium-sized workgroups

Print Technology

Color Laser

Print Speed (A4, Black)

Up to 30 ppm

Print Speed (A4, Colour)

Up to 20 ppm

Print Speed (Letter, Black)

Up to 31 ppm

Print Speed (Letter, Colour)

Up to 20 ppm

Time to First Page (Black)

As fast as 10 seconds

Time to First Page (Colour)

As fast as 10 seconds

Copy Speed (A4, Black)

Up to 30 cpm

Copy Speed (Letter, Black)

Up to 31 cpm

Time to First Copy (Black)

As fast as 11 seconds

Print Resolution, Black

2400 Image Quality

600 x 600 dpi

Print Resolution, Colour

2400 Image Quality, 600 x 600 dpi

Processor

400 Mhz

Memory, Standard

384 MB

Memory, Maximum

1408 MB

Expandable Memory Options

Yes

Apple Macintosh Operating Systems Supported

Mac OS X (10.2 - 10.4)

Citrix MetaFrame

Microsoft Windows 2000 Server running Terminal Services with Citrix Presentation Server 4.0, Microsoft Windows Server 2003 running Terminal Services with Citrix Presentation Server 4.0, Microsoft Windows Server 2003 x64 running Terminal Services with Citrix Presentation Server 4.0

Linux Operating Systems Supported

SUSE Linux 9, Red Hat Enterprise Linux WS 3.0, 4.0

Microsoft Windows Operating Systems Supported

2000, XP, Server 2003, XP x64, Server 2003 x64, Vista, Vista x64

Paper Handling Standard

150-Sheet Multipurpose Feeder, 250-Sheet Input Tray, 350-Sheet Output Bin

Paper Handling Optional

550-Sheet Drawer, Duplex Unit

Paper Input Capacity, Standard

400 pages 20 lb or 75 gsm bond

Paper Input Capacity, Maximum

950 pages 20 lb or 75 gsm bond

Paper Output Capacity, Standard

350 pages 20 lb or 75 gsm bond

Paper Output Capacity, Maximum

350 pages 20 lb or 75 gsm bond

ADF Paper Input Capacity

Up to 50 pages 20 lb or 75 gsm bond

Finishing Option

No

Number of Paper Inputs, Standard

2

Number of Paper Inputs, Maximum

3

Media Types Supported

Card Stock, Envelopes, Glossy paper, Paper Labels, Plain Paper, Transparencies, Refer to the Card Stock & Label Guide

Media Sizes Supported

10 Envelope, 7 3/4 Envelope, A4, A5, C5 Envelope, DL Envelope, Executive, Folio, JIS-B5, Legal, Letter, Statement, Universal

Connectivity (standard)

Centronics IEEE 1284 Bidirectional Parallel, Fast Ethernet, USB 2.0 Specification Hi-Speed Certified

Connectivity (optional)

Lexmark N4050e 802.11g Wireless Print Server (Print Only), External MarkNet™ N7020e Gigabit Ethernet, External MarkNet™ N7000e Fast Ethernet (USB), External MarkNet™ N7002e Fast Ethernet (parallel), Internal Multiprotocol Card

Network Printing Methods

LPR/LPD, Direct IP (Port 9100), HTTP, FTP

Network Protocol Support

TCP/IP IPv4

Printable Area

4.1 mm of the top, bottom, right and left edges (within)

Printable Area

0.16 inches of the top, bottom, right and left edges (within)

Printer Languages (Standard)

PCL 6 Emulation, Adobe PostScript® 3

Reduce / Enlarge Range

25 - 400 %

Scan Area, Maximum

215.9 x 355.6 mm

Scan Area, Maximum

8.5 x 14 inches

Modem Speed

33.6 Kbps

Supplies Used

10,000*-page black and colour High Yield Print Cartridges, *Average continuous black or continuous composite CMY declared cartridge yield up to this number of standard pages in accordance with ISO/IEC 19798... Ships with 4,000*-page colour Print Cartridges

and 5,000*-page black starter Print Cartridge, 4,000*-page colour Print Cartridges (CMY)

Packaged Size (mm - H x W x D)

919 x 584 x 700 mm

Packaged Size (in. - H x W x D)

36.2 x 23 x 27.6 in.

Size (mm - H x W x D)

730 x 460 x 525 mm

Size (in. - H x W x D)

28.7 x 18.1 x 20.67 in.

Size, Trays Extended (mm - H x W x D)

730 x 536 x 881 mm

Size, Trays Extended (in. - H x W x D)

28.7 x 21.1 x 34.67 in.

Weight (kg)

40 kg

Weight (lb.)

88.2 lb.

Acoustics/Noise level (Idle mode)

28 dBA

Acoustics/Noise level (Operating mode)

52 dBA

Copy Noise Level, Operating

52 dBA

Scan Noise Level, Operating

45 dBA

Product Guarantee

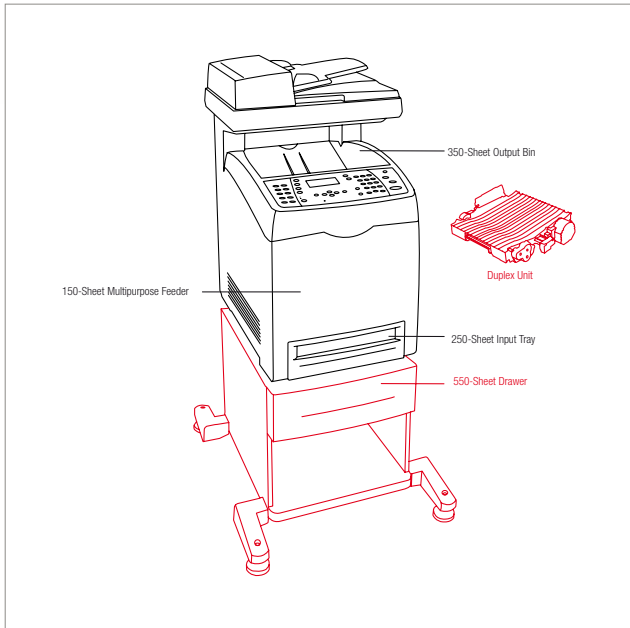
1-Year Onsite Repair, Next Business Day

Product Certifications

FCC Class B, UL 60950-1, U.S. FDA, IEC 60320-1, CAN/CSA-C22.2 60950-1-03, ICES-003 Class B, CE Class B, CB IEC 60950-1, IEC 60825-1, EU-CE, GS (TÜV), SEMKO, UL AR, CS, TÜV R, SS-337, K60950, MIC, ACA C-tick mark Class B, BSMI Class B, CCC Class B

Specified Operating Environment

Temperature: 10 to 32°C (50 to 90°F), Altitude: 0 - 3100 Meters (10,170 Feet), Humidity: 15 to 85% Relative Humidity



Paper Handling Standard
 Paper Handling Optional

Part # Model

0014A1040 Lexmark X560n

Part # Laser Toner/Print Cartridge

0X560H2KG X560 Black High Yield Print Cartridge
 0X560H2CG X560 Cyan High Yield Print Cartridge
 0X560H2MG X560 Magenta High Yield Print Cartridge
 0X560H2YG X560 Yellow High Yield Print Cartridge
 0X560A2CG X560 Cyan Print Cartridge
 0X560A2MG X560 Magenta Print Cartridge
 0X560A2YG X560 Yellow Print Cartridge

Part # Paper & Transparencies

0012A8241 Professional Colour Laser Transparencies, A4
 0012A5951 Glossy Laser Paper, A4 (200)
 0012A5950 Glossy Laser Paper, Letter (200)

Part # Paper Handling

0014A1121 X560 Duplex Unit
 0014A1120 X560 550-Sheet Drawer Stand

Part # Flash, SDRAM Memory

001025041 256MB DDR2-DRAM
 001025042 512MB DDR2-DRAM
 001025043 1024MB DDR2-DRAM

Part # Connectivity

0014A1122 X560 Multiprotocol Card
 001021294 USB (2 Meter) Cable
 0014T0155 Lexmark N4050e 802.11g Wireless Print Server
 0014T0220 MarkNet™ N7002e Gigabit Ethernet Print Server
 0014T0230 MarkNet™ N7000e Fast Ethernet Print Server - USB
 0014T0240 MarkNet™ N7002e Fast Ethernet Print Server - Parallel
 001021231 Parallel (10') Cable

Part # Extended Warranties

002349754 2 Year Total (1+1) OnSite Repair Extended Guarantee
 002349755 3 Year Total (1+2) OnSite Repair Extended Guarantee
 002349758 1 Year Renewal OnSite Repair Extended Warranty

Part # User Replaceable Parts

0040X4865 X560 Multipurpose feeder feed kit
 0040X4860 X560 Fuser 115V
 0040X4861 X560 Fuser 230V
 0040X4868 X560 Transfer belt
 0040X4862 X560 Multipurpose feeder separator roll kit
 0040X4866 X560 Feed roll kit (250/550-sheet tray)
 0040X4924 X560 ADF maintenance kit



Lexmark X560dn

The ideal colour MFP for medium-sized workgroups, plus integrated duplex printing

Print Technology

Color Laser

Print Speed (A4, Black)

Up to 30 ppm

Print Speed (A4, Colour)

Up to 20 ppm

Print Speed (Letter, Black)

Up to 31 ppm

Print Speed (Letter, Colour)

Up to 20 ppm

Print Speed (A4, Black) Duplex

Up to 20 ppm

Print Speed (Letter, Black) Duplex

Up to 20 ppm

Time to First Page (Black)

As fast as 10 seconds

Time to First Page (Colour)

As fast as 10 seconds

Copy Speed (A4, Black)

Up to 30 cpm

Copy Speed (Letter, Black)

Up to 31 cpm

Time to First Copy (Black)

As fast as 11 seconds

Print Resolution, Black

2400 Image Quality

600 x 600 dpi

Print Resolution, Colour

2400 Image Quality, 600 x 600 dpi

Processor

400 MHz

Memory, Standard

384 MB

Memory, Maximum

1408 MB

Expandable Memory Options

Yes

Apple Macintosh Operating Systems Supported

Mac OS X (10.2 - 10.4)

Citrix MetaFrame

Citrix, MetaFrame and MetaFrame XP are registered trademarks or trademarks of Citrix Systems, Inc. in the U.S. and other countries. Microsoft Windows 2000 Server running Terminal Services with Citrix Presentation Server 4.0, Microsoft Windows Server 2003 running Terminal Services with Citrix Presentation Server 4.0, Microsoft Windows Server 2003 x64 running Terminal Services with Citrix Presentation Server 4.0

Linux Operating Systems Supported

SUSE Linux 9, Red Hat Enterprise Linux WS 3.0, 4.0

Microsoft Windows Operating Systems Supported

2000, XP, Server 2003, XP x64, Server 2003 x64, Vista, Vista x64

Paper Handling Standard

150-Sheet Multipurpose Feeder, Duplex Unit, 250-Sheet Input Tray, 350-Sheet Output Bin

Paper Handling Optional

550-Sheet Drawer

Paper Input Capacity, Standard

400 pages 20 lb or 75 gsm bond

Paper Input Capacity, Maximum

950 pages 20 lb or 75 gsm bond

Paper Output Capacity, Standard

350 pages 20 lb or 75 gsm bond

Paper Output Capacity, Maximum

350 pages 20 lb or 75 gsm bond

ADF Paper Input Capacity

Up to 50 pages 20 lb or 75 gsm bond

Finishing Option

No

Number of Paper Inputs, Standard

2

Number of Paper Inputs, Maximum

3

Media Types Supported

Card Stock, Envelopes, Glossy paper, Paper Labels, Plain Paper, Transparencies, Refer to the Card Stock & Label Guide

Media Sizes Supported

10 Envelope, 7 3/4 Envelope, A4, A5, C5 Envelope, DL Envelope, Executive, Folio, JIS-B5, Legal, Letter, Statement, Universal

Connectivity (standard)

Centronics IEEE 1284 Bidirectional Parallel, Fast Ethernet,

USB 2.0 Specification Hi-Speed Certified

Connectivity (optional)

Lexmark N4050e 802.11g Wireless Print Server (Print Only), External MarkNet™ N7020e Gigabit Ethernet, External MarkNet™ N7000e Fast Ethernet (USB), External MarkNet™ N7002e Fast Ethernet (parallel), Internal Multiprotocol Card

Network Printing Methods

LPR/LPD, Direct IP (Port 9100), HTTP, FTP

Network Protocol Support

TCP/IP IPv4

Printable Area

4.1 mm of the top, bottom, right and left edges (within)

Printable Area

0.16 inches of the top, bottom, right and left edges (within)

Printer Languages (Standard)

PCL 6 Emulation, Adobe PostScript® 3

Reduce / Enlarge Range

25 - 400 %

Scan Area, Maximum

215.9 x 355.6 mm

Scan Area, Maximum

8.5 x 14 inches

Modem Speed

33.6 Kbps

Supplies Yield

10,000*-page black and colour High Yield Print Cartridges, *Average continuous black or continuous composite CMY declared cartridge yield up to this number of standard pages in accordance with ISO/IEC 19798. Ships with 4,000*-page colour Print Cartridges and 5,000*-page black starter Print Cartridge, 4,000*-page colour Print Cartridges (CMY)

Packaged Size (mm - H x W x D)

919 x 584 x 700 mm

Packaged Size (in. - H x W x D)

36.2 x 23 x 27.6 in.

Size (mm - H x W x D)

730 x 460 x 525 mm

Size (in. - H x W x D)

28.7 x 18.1 x 20.67 in.

Size, Trays Extended (mm - H x W x D)

730 x 536 x 881 mm

Size, Trays Extended (in. - H x W x D)

28.7 x 21.1 x 34.67 in.

Weight (kg)

41 kg

Weight (lb.)

90.4 lb.

Acoustics/Noise level (Idle mode)

28 dBA

Acoustics/Noise level (Operating mode)

52 dBA

Copy Noise Level, Operating

52 dBA

Scan Noise Level, Operating

45 dBA

Product Guarantee

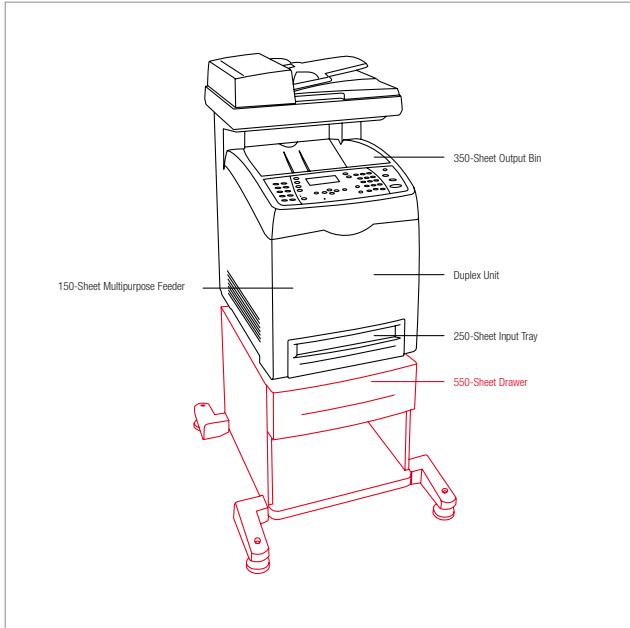
1-Year Onsite Repair, Next Business Day

Product Certifications

FCC Class B, UL 60950-1, U.S. FDA, IEC 60320-1, CAN/CSA-C22.2 60950-1-03, ICES-003 Class B, CE Class B, CB IEC 60950-1, IEC 60825-1, EU-CE, GS (TÜV R), SEMKO, UL AR, CS, TÜV R, SS-337, K60950, MIC, ACA C-tick mark Class B, BSMI Class B, CCC Class B

Specified Operating Environment

Temperature: 10 to 32°C (50 to 90°F), Altitude: 0 - 3100 Meters (10,170 Feet), Humidity: 15 to 85% Relative Humidity



Paper Handling Standard
 Paper Handling Optional

Part #	Model
0014A1140	Lexmark X560dn

Part #	Laser Toner/Print Cartridge
0X560H2KG	X560 Black High Yield Print Cartridge
0X560H2CG	X560 Cyan High Yield Print Cartridge
0X560A2CG	X560 Cyan Print Cartridge
0X560H2MG	X560 Magenta High Yield Print Cartridge
0X560A2MG	X560 Magenta Print Cartridge
0X560H2YG	X560 Yellow High Yield Print Cartridge
0X560A2YG	X560 Yellow Print Cartridge

Part #	Paper & Transparencies
0012A8241	Professional Colour Laser Transparencies, A4
0012A5951	Glossy Laser Paper, A4 (200)
0012A5950	Glossy Laser Paper, Letter (200)

Part #	Paper Handling
0014A1120	X560 550-Sheet Drawer Stand

Part #	Flash, SDRAM Memory
001025041	256MB DDR2-DRAM
001025042	512MB DDR2-DRAM
001025043	1024MB DDR2-DRAM

Part #	Connectivity
0014A1122	X560 Multiprotocol Card
001021294	USB (2 Meter) Cable
0014T0155	Lexmark N4050e 802.11g Wireless Print Server
0014T0220	MarkNet™ N7020e Gigabit Ethernet Print Server
0014T0230	MarkNet™ N7000e Fast Ethernet Print Server - USB
0014T0240	MarkNet™ N7002e Fast Ethernet Print Server - Parallel
001021231	Parallel (10') Cable

Part #	Extended Warranties
002349754	2 Year Total (1+1) OnSite Repair Extended Guarantee
002349755	3 Year Total (1+2) OnSite Repair Extended Guarantee
002349758	1 Year Renewal OnSite Repair Extended Warranty

Part #	User Replaceable Parts
0040X4865	X560 Multipurpose feeder feed kit
0040X4860	X560 Fuser 115V
0040X4861	X560 Fuser 230V
0040X4868	X560 Transfer belt
0040X4862	X560 Multipurpose feeder separator roll kit
0040X4866	X560 Feed roll kit (250/550-sheet tray)
0040X4924	X560 ADF maintenance kit



Lexmark X642e MFP

An incredible value in multifunction!

Print Technology

Monochrome Laser

Function

Color Scanning, Copying, Faxing, Network Scanning, Printing

Print Speed (A4, Black)

Up to 43 ppm

Print Speed (Letter, Black)

Up to 45 ppm

Print Speed (A4, Black) Duplex

Up to 34 spm

Print Speed (Letter, Black) Duplex

Up to 35 spm

Time to First Page (Black)

As fast as 8.5 seconds

Copy Speed (A4, Black)

Up to 43 cpm

Copy Speed (Letter, Black)

Up to 45 cpm

Time to First Copy (Black)

As fast as 7.5 seconds

Print Resolution, Black

1200 Image Quality

1200 x 1200 dpi

2400 Image Quality

600 x 600 dpi

Scanning Resolution

600 X 600 dpi (mono)

Processor

514 MHz

Memory, Standard

128 MB

Memory, Maximum

640 MB

Expandable Memory Options

Yes

Apple Macintosh Operating Systems Supported

Mac OS X

Citrix MetaFrame

Citrix, MetaFrame and MetaFrame XP are registered trademarks or trademarks of Citrix Systems, Inc. in the U.S. and other countries., Microsoft Windows 2000 Server running Terminal Services with Citrix MetaFrame XP Presentation Server or Citrix MetaFrame Presentation Server 3.0., Microsoft Windows Server 2003 running Terminal Services with Citrix MetaFrame XP Presentation Server or Citrix MetaFrame Presentation Server 3.0., Microsoft Windows 2000 Server running Terminal Services with Citrix Presentation Server 4.0, Microsoft Windows Server 2003 running Terminal Services with Citrix Presentation Server 4.0, Microsoft Windows Server 2003 running Terminal Services with Citrix Presentation Server 4.0, Microsoft Windows Server 2003 running Terminal Services with Citrix Presentation Server 4.0

Linux Operating Systems Supported

Red Flag Linux Desktop 4.0, 5.0, Linpus Linux Desktop 9.2, 9.3, Red Hat Enterprise Linux WS 3.0, 4.0, 5.0, SUSE Linux Enterprise Server 8.0, 9.0, 10.0, SUSE Linux Professional 9.1, 9.2, 9.3, Debian GNU/Linux 3.1, 4.0,

Linspire Linux 5.0

Microsoft Windows Operating Systems Supported

2000, NT (4.00/4.00 Server), Me, XP, Server 2003, 98 2nd Edition, XP x64, Server 2003 running Terminal Services, 2000 Server running Terminal Services, Server 2003 x64, Server 2003 x64 running Terminal Services, Vista, Vista x64

Novell Operating Systems Supported

Open Enterprise Server for Netware with NDS, iPrint or Novell Distributed Print Services (NDPS), NetWare® 3.2, 4.2 (bindery), NetWare 4.2, 5.x and 6.x (NDS), NetWare 5.x, 6.x with iPrint or Novell Distributed Print Services (NDPS)

UNIX Operating Systems Supported

Sun Solaris SPARC 8, 9, 10, HP-UX 11.00, 11.1, IBM AIX 5.1, 5.2, 5.3, Sun Solaris x86 10

Other Operating Systems Supported

IBM iSeries or IBM AS/400® Systems with TCP/IP with OS/400® V3R1 or later using OS/400 Host Print Transform, Virtually any platform supporting TCP/IP

Paper Handling Standard

500-Sheet Output Bin, 500-Sheet Input Tray, 100-Sheet Multipurpose Feeder

Paper Handling Optional

200-Sheet Universally Adjustable Tray with Drawer, 400-Sheet Universally Adjustable Tray with Drawer, Envelope Feeder, 250-Sheet Drawer, 500-Sheet Drawer, 500-Sheet Duplex Unit, Optional furniture required., 2,000-Sheet High-capacity Feeder

Paper Input Capacity, Standard

600 pages 20 lb or 75 gsm bond

Paper Input Capacity, Maximum

3100 pages 20 lb or 75 gsm bond

Paper Output Capacity, Standard

500 pages 20 lb or 75 gsm bond

Paper Output Capacity, Maximum

500 pages 20 lb or 75 gsm bond

ADF Paper Input Capacity

Up to 50 pages 20 lb or 75 gsm bond

Envelope Capacity

85

Finishing Option

No

Number of Paper Inputs, Standard

2

Number of Paper Inputs, Maximum

4

Media Types Supported

Card Stock, Dual Web Labels, Envelopes, Integrated Labels, Paper Labels, Plain Paper, Polyester Labels, Transparencies, Vinyl Labels, Refer to the Card Stock & Label Guide

Media Sizes Supported

10 Envelope, 7 3/4 Envelope, 9 Envelope, A4, A5, DL Envelope, Executive, Folio, JIS-B5, Legal, Letter, Statement, Universal

Connectivity (standard)

Fast Ethernet, One Internal Card Slot, USB Compatible with USB 2.0 Specification, USB Direct interface on Operator Panel

Connectivity (optional)

Lexmark N4050e 802.11g Wireless Print Server (Print Only), Internal MarkNet™ N8020 Gigabit Ethernet, Internal MarkNet™ N8050 802.11g Wireless, External MarkNet™ N7020e Gigabit Ethernet, Internal MarkNet™ N8030 Fiber Fast Ethernet

Network Printing Methods

LPR/LPD, Direct IP (Port 9100), Socket (Raw TCP/IP), IPP (Internet Printing Protocol), HTTP, NDS Queue-based Printing, NDPS/NEPS (Novell Distributed Print Services), Novell Netware Enterprise Print Services, Enhanced IP (Port 9400), FTP, TFTP

Network Protocol Support

TCP/IP IPv4, IPX/SPX, AppleTalk™, LexLink (DLC), TCP/IP IPv6

Network Security

SSL* Enabled Embedded Web Server (HTTPS), SNMPv3, TCP/IP port access control, Authenticated and encrypted MarkVision Professional communication, 802.1x Authentication: MDS, MSCHAPv2, LEAP, PEAP, TLS, TTLS, IPsec, *This product includes software developed by the OpenSSL Project for use in the OpenSSL Toolkit.

Printable Area

4.2 mm of the top, bottom, right and left edges (within)

Printable Area

0.167 inches of the top, bottom, right and left edges (within)

Printer Languages (Standard)

PCL 5e Emulation, PCL 6 Emulation, PPDS, PostScript 3 Emulation, PDF 1.5 Emulation, xHTML

Reduce / Enlarge Range

25 - 400 %

Scan Area, Maximum

216 x 355.6 mm

Scan Area, Maximum

8.5 x 14 inches

Modem Speed

33.6 Kbps

Supplies Yield

10,000*-page Print Cartridge, Ships with 10,000*-page Return Program Print Cartridge, 21,000*-page High Yield Print Cartridge, *Average standard page yield value declared in accordance with ISO/IEC 19752.

Packaged Size (mm - H x W x D)

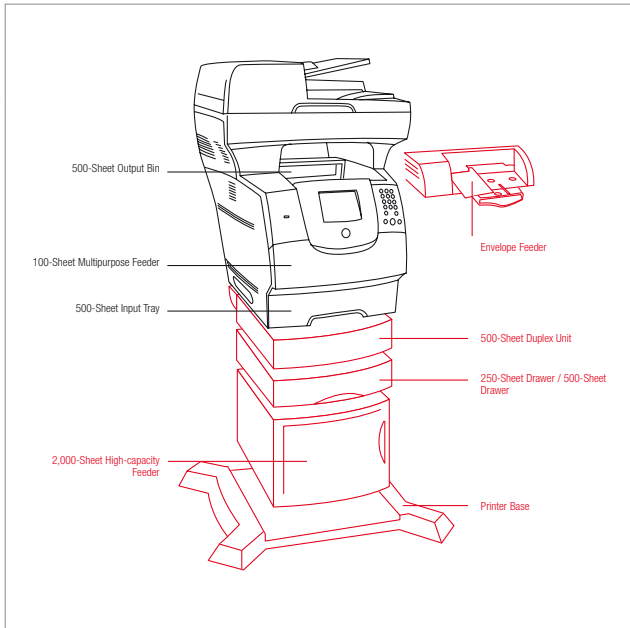
831 x 759 x 673 mm

Packaged Size (in. - H x W x D)

32.7 x 29.9 x 26.5 in.

Size (mm - H x W x D)

710 x 560 x 645 mm



Size (in. - H x W x D)

28 x 22 x 25.4 in.

Weight (kg)

36.3 kg

Weight (lb.)

80 lb.

Acoustics/Noise level (Idle mode)

30 dBA

Acoustics/Noise level (Operating mode)

56 dBA

Copy Noise Level, Operating

62 dBA

Scan Noise Level, Operating

59 dBA

Product Guarantee

One year on site repair, next business day response time.



MULTIFUNCTION

Part #	Model
0022G0610	Lexmark X642e MFP

Part #	Laser Toner/Print Cartridge
0X644H11E	X642e, X644e, X646e High Yield Return Program Print Cartridge (21K)
0X644A11E	X642e, X644e, X646e Return Program Print Cartridge (10K)
0X644H21E	X642e, X644e, X646e High Yield Print Cartridge (21K)
0X644A21E	X642e, X644e, X646e Print Cartridge (10K)

Part #	Paper & Transparencies
0012A5010	Lexmark Laser Printers - A4 Transparency

Part #	Paper Handling
0020G0889	T64x 250-Sheet Drawer
0020G0890	T64x 500-Sheet Drawer
0020G0888	T642, T644 500-Sheet Duplex Unit
0020G0893	T64x 2000-Sheet High Capacity Feeder
0020G0884	T64x 500-Sheet Tray
0020G1218	T64x 400-Sheet Universally Adjustable Drawer
0020G1217	T64x 400-Sheet Universally Adjustable Tray
0020G1223	T64x 200-Sheet Universally Adjustable Drawer
0020G1224	T64x 200-Sheet Universally Adjustable Tray
0020G0891	T64x Envelope Feeder

Part #	Furniture
0016C0379	T Low Profile Printer Stand
002200544	Printer Base
0022G0551	MFP, Printer Cabinet

Part #	Flash, SDRAM Memory
0013N1523	128MB DDR-DRAM
0013N1524	256MB DDR-DRAM
0013N1526	512MB DDR-DRAM
001021208	32MB Flash Card
001021209	64MB Flash Card
001021243	Japanese Font Card
001021240	Korean Font Card
001021241	Simplified Chinese Font Card
001021242	Traditional Chinese Font Card

Part #	Application Cards / SIMMs
0022G0626	X642e Bar Code Card
0022G0628	Lexmark Print/Cryption Card for the Lexmark X642e
0022G0627	X642e Forms Card

Part #	Connectivity
001021294	USB (2 Meter) Cable
001021231	Parallel (10') Cable
001021091	Parallel 1284-B Interface Card
001021092	RS-232C Serial Interface Card

0014T0155	Lexmark M4050e 802.11g Wireless Printer Server
0014S0200	MarkNet N8020 Gigabit Ethernet Print Server
0014S0220	MarkNet N8030 Fiber Ethernet 100BaseFX, 10BaseFL
0014S0210	MarkNet N8050 802.11g Wireless Printer Server
0014T0220	MarkNet™ N7020e Gigabit Ethernet Print Server

Part #	Extended Warranties
002348757	1 Year OnSite Repair Extended Guarantee
002348758	2 Year OnSite Repair Extended Guarantee
002348759	3 Year OnSite Repair Extended Guarantee
002348761	1 Year Renewal OnSite Repair Guarantee

Part #	User Replaceable Parts
0040X0453	X644e, X646e ADF Pick Up Assembly
0040X0127	T64x, X644e, X646e Dual Charge Roll Assembly
0040X0454	X644e, X646e Separator Roll Assembly
0040X0466	X644e, X646e Flatbed White Cushion
0040X0130	T64x, X644e, X646e Transfer Roll Assembly
0040X2665	T64x, X644e, X646e Oil Fuser Wiper
0040X2666	T64x, X644e, X646e Wax Fuser Wiper

Part #	Service Parts
0040X0100	X644e, X646e Fuser Maintenance Kit LV
0040X0101	X644e, X646e Fuser Maintenance Kit HV



Lexmark X644e MFP

Multifunction advantages at your fingertips

Print Technology

Monochrome Laser

Function

Color Scanning, Copying, Faxing, Network Scanning, Printing

Print Speed (A4, Black)

Up to 48 ppm

Print Speed (Letter, Black)

Up to 50 ppm

Print Speed (A4, Black) Duplex

Up to 36 spm

Time to First Page (Black)

As fast as 8.5 seconds

Copy Speed (A4, Black)

Up to 48 cpm

Copy Speed (Letter, Black)

Up to 50 cpm

Time to First Copy (Black)

As fast as 7.5 seconds

Print Resolution, Black

1200 Image Quality

1200 x 1200 dpi

2400 Image Quality

600 x 600 dpi

Scanning Resolution

600 X 600 dpi (mono)

Processor

514 MHz

Memory, Standard

256 MB

Memory, Maximum

768 MB

Expandable Memory Options

Yes

Apple Macintosh Operating Systems Supported

Mac OS X, Mac OS 9.x

Citrix MetaFrame

Citrix, MetaFrame and MetaFrame XP are registered trademarks or trademarks of Citrix Systems, Inc. in the U.S. and other countries., Microsoft Windows 2000 Server running Terminal Services with Citrix MetaFrame XP Presentation Server or Citrix MetaFrame Presentation Server 3.0., Microsoft Windows Server 2003 running Terminal Services with Citrix MetaFrame XP Presentation Server or Citrix MetaFrame Presentation Server 3.0, Microsoft Windows 2000 Server running Terminal Services with Citrix Presentation Server 4.0, Microsoft Windows Server 2003 running Terminal Services with Citrix Presentation Server 4.0, Microsoft Windows Server 2003 x64 running Terminal Services with Citrix Presentation Server 4.0

Linux Operating Systems Supported

Red Flag Linux Desktop 4.0, 5.0, Linpus Linux Desktop 9.2, 9.3, Red Hat Enterprise Linux WS 3.0, 4.0, 5.0, SUSE Linux Enterprise Server 8.0, 9.0, 10.0, SUSE Linux Professional 9.1, 9.2, 9.3, Debian GNU/Linux 3.1, 4.0, Linspire Linux 5.0

Microsoft Windows Operating Systems Supported

2000, NT (4.00/4.00 Server), Me, XP, Server 2003, 98 2nd Edition, XP x64, Server 2003 running Terminal Services, 2000 Server running Terminal Services, Server 2003 x64, Server 2003 x64 running Terminal Services, Vista, Vista x64

Novell Operating Systems Supported

Open Enterprise Server for Netware with NDS, iPrint or Novell Distributed Print Services (NDPS), NetWare® 3.2, 4.2 (bindery), NetWare 4.2, 5.x and 6.x (NDS), NetWare 5.x, 6.x with iPrint or Novell Distributed Print Services (NDPS)

UNIX Operating Systems Supported

Sun Solaris SPARC 8, 9, 10, HP-UX 11.00, 11.1, IBM AIX 5.1, 5.2, 5.3, Sun Solaris x86 10

Other Operating Systems Supported

IBM iSeries or IBM AS/400® Systems with TCP/IP with OS/400® V3R1 or later using OS/400 Host Print Transform, Virtually any platform supporting TCP/IP

Paper Handling Standard

500-Sheet Output Bin, 500-Sheet Input Tray, 100-Sheet Multipurpose Feeder

Paper Handling Optional

200-Sheet Universally Adjustable Tray with Drawer, 400-Sheet Universally Adjustable Tray with Drawer, Envelope Feeder, 250-Sheet Drawer, 500-Sheet Drawer, 500-Sheet Duplex Unit, Optional furniture required., 2,000-Sheet High-capacity Feeder

Paper Input Capacity, Standard

600 pages 20 lb or 75 gsm bond

Paper Input Capacity, Maximum

3100 pages 20 lb or 75 gsm bond

Paper Output Capacity, Standard

500 pages 20 lb or 75 gsm bond

Paper Output Capacity, Maximum

500 pages 20 lb or 75 gsm bond

ADF Paper Input Capacity

Up to 50 pages 20 lb or 75 gsm bond

Envelope Capacity

85

Finishing Option

No

Number of Paper Inputs, Standard

2

Number of Paper Inputs, Maximum

4

Media Types Supported

Card Stock, Dual Web Labels, Envelopes, Integrated Labels, Paper Labels, Plain Paper, Polyester Labels, Transparencies, Vinyl Labels, Refer to the Card Stock & Label Guide

Media Sizes Supported

10 Envelope, 7/34 Envelope, 9 Envelope, A4, A5, DL Envelope, Executive, Folio, JIS-B5, Legal, Letter, Statement, Universal

Connectivity (standard)

Fast Ethernet, One Internal Card Slot, USB Compatible with USB 2.0 Specification, USB Direct interface on Operator Panel

Connectivity (optional)

Lexmark N4050e 802.11g Wireless Server (Print Only), Internal MarkNet™ N8020 Gigabit Ethernet, Internal MarkNet™ N8050 802.11g Wireless, Internal MarkNet™ N8030 Fiber Fast Ethernet

Network Printing Methods

LPR/LPD, Direct IP (Port 9100), Socket (Raw TCP/IP), IPP (Internet Printing Protocol), HTTP, NDS Queue-based Printing, NDPS/NEPS (Novell Distributed Print Services, Novell Network Enterprise Print Services), Enhanced IP (Port 9400), FTP, TFTP

Network Protocol Support

TCP/IP IPv4, IPv6/SPX, AppleTalk™, LexLink (DLC), TCP/IP IPv6

Network Security

SSL* Enabled Embedded Web Server (HTTPS), SNMPv3, TCP/IP port access control, Authenticated and encrypted MarkVision Professional communication, 802.1x Authentication: MD5, MSCHAPv2, LEAP, PEAP, TLS, TTLS, IPsec, *This product includes software developed by the OpenSSL Project for use in the OpenSSL Toolkit.

Printable Area

4.2 mm of the top, bottom, right and left edges (within)

Printable Area

0.167 inches of the top, bottom, right and left edges (within)

Printer Languages (Standard)

PCL 5e Emulation, PCL 6 Emulation, PPDS, PostScript 3 Emulation, PDF 1.5 Emulation, xHTML

Reduce / Enlarge Range

25 - 400 %

Scan Area, Maximum

216 x 355.6 mm

Scan Area, Maximum

8.5 x 14 inches

Modem Speed

33.6 Kbps

Supplies Yield

10,000*-page Print Cartridge, Ships with 10,000*-page Return Program Print Cartridge, 21,000*-page High Yield Print Cartridge, 32,000*-page Extra High Yield Print Cartridge, *Average standard page yield value declared in accordance with ISO/IEC 19752.

Packaged Size (mm - H x W x D)

831 x 759 x 673 mm

Packaged Size (in. - H x W x D)

32.7 x 29.9 x 26.5 in.

Size (mm - H x W x D)

710 x 560 x 645 mm



Size (in. - H x W x D)

28 x 22 x 25.4 in.

Weight (kg)

37.65 kg

Weight (lb.)

83 lb.

Acoustics/Noise level (Idle mode)

30 dBA

Acoustics/Noise level (Operating mode)

56 dBA

Copy Noise Level, Operating

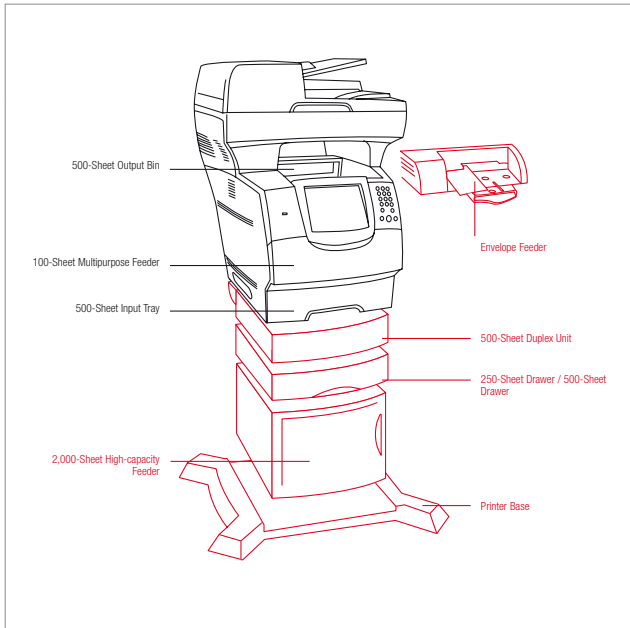
62 dBA

Scan Noise Level, Operating

59 dBA

Product Guarantee

One year on site repair, next business day response time.



Part # Model

0022G0462 Lexmark X644e MFP

Part # Laser Toner/Print Cartridge

0X644X11E X644e, X646e Extra High Yield Return Program Print Cartridge (32K)
 0X644H11E X642e, X644e, X646e High Yield Return Program Print Cartridge (21K)
 0X644A11E X642e, X644e, X646e Return Program Print Cartridge (10K)
 0X644X21E X644e, X646e Extra High Yield Print Cartridge (32K)
 0X644H21E X642e, X644e, X646e High Yield Print Cartridge (21K)
 0X644A21E X642e, X644e, X646e Print Cartridge (10K)

Part # Paper & Transparencies

0012A5010 Lexmark Laser Printers - A4 Transparency

Part # Paper Handling

0020G0889 T64x 250-Sheet Drawer
 0020G0890 T64x 500-Sheet Drawer
 0020G0888 T642, T644 500-Sheet Duplex Unit
 0020G0893 T64x 2000-Sheet High Capacity Feeder
 0020G0884 T64x 500-Sheet Tray
 0020G1218 T64x 400-Sheet Universally Adjustable Drawer
 0020G1217 T64x 400-Sheet Universally Adjustable Tray
 0020G1223 T64x 200-Sheet Universally Adjustable Drawer
 0020G1224 T64x 200-Sheet Universally Adjustable Tray
 0020G0891 T64x Envelope Feeder

Part # Furniture

0016C0379 T Low Profile Printer Stand
 0022G0544 Printer Base
 0022G0551 MFP, Printer Cabinet

Part # Flash, SDRAM Memory

0013N1523 128MB DDR-DRAM
 0013N1524 256MB DDR-DRAM
 0013N1526 512MB DDR-DRAM
 001021208 32MB Flash Card
 001021209 64MB Flash Card
 001021243 Japanese Font Card
 001021240 Korean Font Card
 001021241 Simplified Chinese Font Card
 001021242 Traditional Chinese Font Card

Part # Application Cards / SIMMS

0022G0351 X644e, X646e Card for IPDS/SCS/TNe
 0022G0350 X644e, X646e Bar Code Card
 0022G0354 X644e, X646e Card for PRESCRIBE Emulation
 0022G0353 X644e, X646e, X646dte Forms Card
 0022G0352 Lexmark PrintEncryption Card for the Lexmark X644e, X646e, X646dte

Part # Connectivity

001021294 USB (2 Meter) Cable

001021231 Parallel (10') Cable
 001021091 Parallel 1284-B Interface Card
 001021092 RS-232C Serial Interface Card
 0014T0155 Lexmark N4050e 802.11g Wireless Print Server
 0014S0200 MarkNet N8020 Gigabit Ethernet Print Server
 0014S0220 MarkNet N8030 Fiber Ethernet 100BaseFX, 10BaseFL
 0014S0210 MarkNet N8050 802.11g Wireless Print Server
 0014T0220 MarkNet™ N7020e Gigabit Ethernet Print Server

Part # Extended Warranties

002348309 1 Year OnSite Repair Extended Guarantee
 002348310 2 Year OnSite Repair Extended Guarantee
 002348311 3 Year OnSite Repair Extended Guarantee
 002348317 1 Year Renewal OnSite Repair Guarantee

Part # User Replaceable Parts

0040X0127 T64x, X644e, X646e Dual Charge Roll Assembly
 0040X0453 X644e, X646e ADF Pick Up Assembly
 0040X0454 X644e, X646e Separator Roll Assembly
 0040X0466 X644e, X646e Flatbed White Cushion
 0040X0130 T64x, X644e, X646e Transfer Roll Assembly
 0040X2665 T64x, X644e, X646e Oil Fuser Wiper
 0040X2666 T64x, X644e, X646e Wax Fuser Wiper

Part # Service Parts

0040X0101 X644e, X646e Fuser Maintenance Kit HV

MULTIFUNCTION



Lexmark X646e MFP

Advanced multifunctionality in A4 mono

Print Technology

Monochrome Laser

Function

Color Scanning, Copying, Faxing, Network Scanning, Printing

Print Speed (A4, Black)

Up to 48 ppm

Print Speed (Letter, Black)

Up to 50 ppm

Time to First Page (Black)

As fast as 8.5 seconds

Copy Speed (A4, Black)

Up to 48 cpm

Copy Speed (Letter, Black)

Up to 50 cpm

Time to First Copy (Black)

As fast as 7.5 seconds

Print Resolution, Black

1200 Image Quality

1200 x 1200 dpi

2400 Image Quality

600 x 600 dpi

Scanning Resolution

600 X 600 dpi (mono)

Processor

514 MHz

Memory, Standard

256 MB

Memory, Maximum

768 MB

Expandable Memory Options

Yes

Apple Macintosh Operating Systems Supported

Mac OS X, Mac OS 9.x

Citrix MetaFrame

Citrix, MetaFrame and MetaFrame XP are registered trademarks or trademarks of Citrix Systems, Inc. in the U.S. and other countries., Microsoft Windows 2000 Server running Terminal Services with Citrix MetaFrame XP Presentation Server or Citrix MetaFrame Presentation Server 3.0., Microsoft Windows Server 2003 running Terminal Services with Citrix MetaFrame XP Presentation Server or Citrix MetaFrame Presentation Server 3.0, Microsoft Windows 2000 Server running Terminal Services with Citrix Presentation Server 4.0, Microsoft Windows Server 2003 running Terminal Services with Citrix Presentation Server 4.0, Microsoft Windows Server 2003 x64 running Terminal Services with Citrix Presentation Server 4.0

Linux Operating Systems Supported

Red Flag Linux Desktop 4.0, 5.0, Linpus Linux Desktop 9.2, 9.3, Red Hat Enterprise Linux WS 3.0, 4.0, 5.0, SUSE Linux Enterprise Server 8.0, 9.0, 10.0, SUSE Linux Professional 9.1, 9.2, 9.3, Debian GNU/Linux 3.1, 4.0, Linspire Linux 5.0

Microsoft Windows Operating Systems Supported

2000, NT (4.00/4.00 Server), Me, XP, Server 2003, 98 2nd Edition, XP x64, Server 2003 running Terminal

Services, 2000 Server running Terminal Services, Server 2003 x64, Server 2003 x64 running Terminal Services, Vista, Vista x64

Novell Operating Systems Supported

Open Enterprise Server for Netware with NDS, iPrint or Novell Distributed Print Services (NDPS), NetWare® 3.2, 4.2 (bindery), NetWare 4.2, 5.x and 6.x (NDS), NetWare 5.x, 6.x with iPrint or Novell Distributed Print Services (NDPS)

UNIX Operating Systems Supported

Sun Solaris SPARC 8, 9, 10, HP-LUX 11.00, 11.1, IBM AIX 5.1, 5.2, 5.3, Sun Solaris x86 10

Other Operating Systems Supported

IBM iSeries or IBM AS/400® Systems with TCP/IP with OS/400® V3R1 or later using OS/400 Host Print Transform, Virtually any platform supporting TCP/IP

Paper Handling Standard

500-Sheet Output Bin, 500-Sheet Input Tray, 100-Sheet Multipurpose Feeder

Paper Handling Optional

200-Sheet Universally Adjustable Tray with Drawer, 400-Sheet Universally Adjustable Tray with Drawer, Envelope Feeder, 250-Sheet Drawer, 500-Sheet Drawer, 500-Sheet Duplex Unit, Optional furniture required., 2,000-Sheet High-capacity Feeder

Paper Input Capacity, Standard

600 pages 20 lb or 75 gsm bond

Paper Input Capacity, Maximum

3100 pages 20 lb or 75 gsm bond

Paper Output Capacity, Standard

500 pages 20 lb or 75 gsm bond

Paper Output Capacity, Maximum

500 pages 20 lb or 75 gsm bond

ADF Paper Input Capacity

Up to 50 pages 20 lb or 75 gsm bond

Envelope Capacity

85

Finishing Option

No

Number of Paper Inputs, Standard

2

Number of Paper Inputs, Maximum

4

Media Types Supported

Card Stock, Dual Web Labels, Envelopes, Integrated Labels, Paper Labels, Plain Paper, Polyester Labels, Transparencies, Vinyl Labels, Refer to the Card Stock & Label Guide

Media Sizes Supported

10 Envelope, 7 3/4 Envelope, 9 Envelope, A4, A5, DL Envelope, Executive, Folio, JIS-B5, Legal, Letter, Statement, Universal

Connectivity (standard)

Fast Ethernet, One Internal Card Slot, USB Compatible

with USB 2.0 Specification, USB Direct interface on Operator Panel

Connectivity (optional)

Lexmark N4050e 802.11g Wireless Print Server (Print Only), Internal MarkNet™ N8020 Gigabit Ethernet, Internal MarkNet™ N8050 802.11g Wireless, Internal MarkNet™ N8030 Fiber Fast Ethernet

Network Printing Methods

LPR/LPD, Direct IP (Port 9100), Socket (Raw TCP/IP), IPP (Internet Printing Protocol), HTTP, NDS Queue-based Printing, NDPS/NEPS (Novell Distributed Print Services, Novell Netware Enterprise Print Services), Enhanced IP (Port 9400), FTP, TFTP

Network Protocol Support

TCP/IP IPv4, IPX/SPX, AppleTalk™, LexLink (DLC), TCP/IP IPv6

Network Security

SSL* Enabled Embedded Web Server (HTTPS), SNMPv3, TCP/IP port access control, Authenticated and encrypted MarkVision Professional communication, 802.1x Authentication: MDS, MSCHAPv2, LEAP, PEAP, TLS, TTLS, IPSec, *This product includes software developed by the OpenSSL Project for use in the OpenSSL Toolkit.

Printable Area

4.2 mm of the top, bottom, right and left edges (within)

Printable Area

0.167 inches of the top, bottom, right and left edges (within)

Printer Languages (Standard)

PCL 5e Emulation, PCL 6 Emulation, PPDS, PostScript 3 Emulation, PDF 1.5 Emulation, xHTML

Reduce / Enlarge Range

25 - 400 %

Scan Area, Maximum

216 x 355.6 mm

Scan Area, Maximum

8.5 x 14 inches

Modem Speed

33.6 Kbps

Supplies Yield

10,000*-page Print Cartridge, 21,000*-page High Yield Print Cartridge, 32,000*-page Extra High Yield Print Cartridge, Ships with 21,000*-page High Yield Return Program Print Cartridge, *Average standard page yield value declared in accordance with ISO/IEC 19752.

Packaged Size (mm - H x W x D)

831 x 759 x 673 mm

Packaged Size (in. - H x W x D)

32.7 x 29.9 x 26.5 in.

Size (mm - H x W x D)

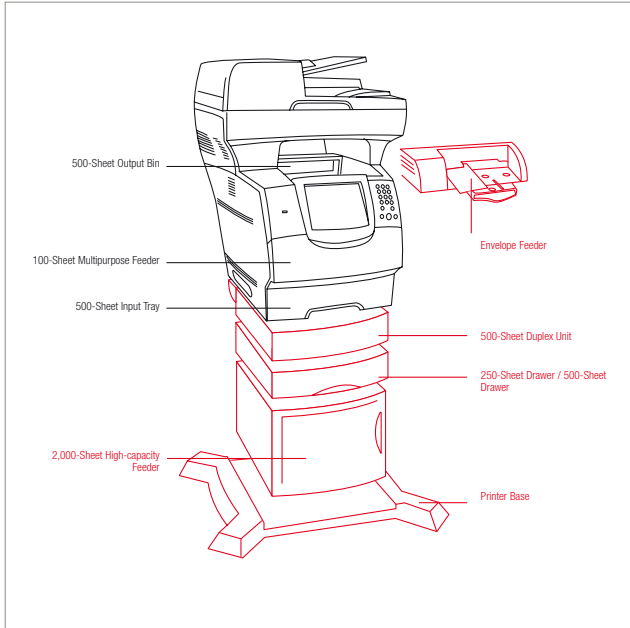
710 x 560 x 645 mm

Size (in. - H x W x D)

28 x 22 x 25.4 in.

Weight (kg)

38.3 kg



Weight (lb.)

84.5 lb.

Acoustics/Noise level (Idle mode)

30 dBA

Acoustics/Noise level (Operating mode)

56 dBA

Copy Noise Level, Operating

62 dBA

Scan Noise Level, Operating

59 dBA

Product Guarantee

One year on site repair, next business day response time.

Product Certifications

CSA, ICES Class A, BSMI Class A, VCCI Class A, FCC Class A, UL 60950-1, IEC 60320-1, ECMA-74, CE Class A, CB IEC 60950 1, IEC 61000-3-2, -3, EN 55022.

MULTIFUNCTION

Part #	Model
0022G0325	Lexmark X646e MFP

Part #	Laser Toner/Print Cartridge
0X644X11E	X644e, X646e Extra High Yield Return Program Print Cartridge (32K)
0X644H11E	X642e, X644e, X646e High Yield Return Program Print Cartridge (21K)
0X644A11E	X642e, X644e, X646e Return Program Print Cartridge (10K)
0X644X21E	X644e, X646e Extra High Yield Print Cartridge (32K)
0X644H21E	X642e, X644e, X646e High Yield Print Cartridge (21K)
0X644A21E	X642e, X644e, X646e Print Cartridge (10K)

Part #	Paper & Transparencies
0012A5010	Lexmark Laser Printers - A4 Transparency

Part #	Paper Handling
0020G0889	T64x 250-Sheet Drawer
0020G0890	T64x 500-Sheet Drawer
0020G0888	T642, T644 500-Sheet Duplex Unit
0020G0893	T64x 2000-Sheet High Capacity Feeder
0020G0884	T64x 500-Sheet Tray
0020G1218	T64x 400-Sheet Universally Adjustable Drawer
0020G1217	T64x 400-Sheet Universally Adjustable Tray
0020G1223	T64x 200-Sheet Universally Adjustable Drawer
0020G1224	T64x 200-Sheet Universally Adjustable Tray
0020G0891	T64x Envelope Feeder

Part #	Furniture
0016C0379	T Low Profile Printer Stand
0022G0544	Printer Base
0022G0551	MFP, Printer Cabinet

Part #	Flash, SDRAM Memory
0013N1523	128MB DDR-DRAM
0013N1524	256MB DDR-DRAM
0013N1526	512MB DDR-DRAM
001021208	32MB Flash Card
001021209	64MB Flash Card
001021243	Japanese Font Card
001021240	Korean Font Card
001021241	Simplified Chinese Font Card
001021242	Traditional Chinese Font Card

Part #	Application Cards / SIMMS
0022G0351	X644e, X646e Card for IPDS/SCS/TNe
0022G0350	X644e, X646e Bar Code Card
0022G0354	X644e, X646e Card for PRESCRIBE Emulation
0022G0353	X644e, X646e, X646dte Forms Card
0022G0352	Lexmark PrintEncryption Card for the Lexmark X644e, X646e, X646dte

Part #	Connectivity
001021294	USB (2 Meter) Cable

001021231	Parallel (10') Cable
001021091	Parallel 1284-B Interface Card
001021092	RS-232C Serial Interface Card
0014T0155	Lexmark M4050e 802.11g Wireless Print Server
0014S0200	MarkNet N8020 GigaBit Ethernet Print Server
0014S0220	MarkNet N8030 Fiber Ethernet 100BaseFX, 10BaseFL
0014S0210	MarkNet N8050 802.11g Wireless Print Server
0014T0220	MarkNet™ N7020e Gigabit Ethernet Print Server

Part #	Extended Warranties
002348322	1 Year OnSite Repair Extended Guarantee
002348323	2 Year OnSite Repair Extended Guarantee
002348324	3 Year OnSite Repair Extended Guarantee
002348330	1 Year Renewal OnSite Repair Guarantee

Part #	User Replaceable Parts
0040X0127	T64x, X644e, X646e Dual Charge Roll Assembly
0040X0453	X644e, X646e ADF Pick Up Assembly
0040X0454	X644e, X646e Separator Roll Assembly
0040X0466	X644e, X646e Flatbed White Cushion
0040X0130	T64x, X644e, X646e Transfer Roll Assembly
0040X2665	T64x, X644e, X646e Oil Fuser Wiper
0040X2666	T64x, X644e, X646e Wax Fuser Wiper

Part #	Service Parts
0040X0100	X644e, X646e Fuser Maintenance Kit LV
0040X0101	X644e, X646e Fuser Maintenance Kit HV



Lexmark X646dte MFP

A powerful multifunction workhorse

Print Technology

Monochrome Laser

Function

Color Scanning, Copying, Faxing, Network Scanning, Printing

Print Speed (A4, Black)

Up to 48 ppm

Print Speed (Letter, Black)

Up to 50 ppm

Print Speed (A4, Black) Duplex

Up to 36 ppm

Print Speed (Letter, Black) Duplex

Up to 37 ppm

Time to First Page (Black)

As fast as 8.5 seconds

Copy Speed (A4, Black)

Up to 48 cpm

Copy Speed (Letter, Black)

Up to 50 cpm

Time to First Copy (Black)

As fast as 7.5 seconds

Print Resolution, Black

1200 Image Quality

1200 x 1200 dpi

2400 Image Quality

600 x 600 dpi

Scanning Resolution

600 X 600 dpi (mono)

Processor

514 MHz

Memory, Standard

256 MB

Memory, Maximum

768 MB

Expandable Memory Options

Yes

Apple Macintosh Operating Systems Supported

Mac OS X, Mac OS 9.x

Citrix MetaFrame

Microsoft Windows 2000 Server running Terminal Services with Citrix MetaFrame XP Presentation Server or Citrix MetaFrame Presentation Server 3.0., Microsoft Windows Server 2003 running Terminal Services with Citrix MetaFrame XP Presentation Server or Citrix MetaFrame Presentation Server 3.0, Microsoft Windows 2000 Server running Terminal Services with Citrix Presentation Server 4.0, Microsoft Windows Server 2003 running Terminal Services with Citrix Presentation Server 4.0, Microsoft Windows Server 2003 x64 running Terminal Services with Citrix Presentation Server 4.0

Linux Operating Systems Supported

Red Hat Linux Desktop 4.0, 5.0, Linpus Linux Desktop 9.2, 9.3, Red Hat Enterprise Linux WS 3.0, 4.0, 5.0, SUSE Linux Enterprise Server 8.0, 9.0, 10.0, SUSE Linux Professional 9.1, 9.2, 9.3, Debian GNU/Linux 3.1, 4.0, Linspire Linux 5.0

Microsoft Windows Operating Systems Supported

2000, NT (4.00/4.00 Server), Me, XP, Server 2003,

98 2nd Edition, XP x64, Server 2003 running Terminal Services, 2000 Server running Terminal Services, Server 2003 x64, Server 2003 x64 running Terminal Services, Vista, Vista x64

Novell Operating Systems Supported

Open Enterprise Server for Netware with NDS, iPrint or Novell Distributed Print Services (NDPS), NetWare® 3.2, 4.2 (bindery), NetWare 4.2, 5.x and 6.x (NDS), NetWare 5.x, 6.x with iPrint or Novell Distributed Print Services (NDPS)

UNIX Operating Systems Supported

Sun Solaris SPARC 8, 9, 10, HP-UX 11.00, 11.1, IBM AIX 5.1, 5.2, 5.3, Sun Solaris x86 10

Other Operating Systems Supported

IBM iSeries or IBM AS/400® Systems with TCP/IP with OS/400® V3R1 or later using OS/400 Host Print Transform, Virtually any platform supporting TCP/IP

Paper Handling Standard

500-Sheet Drawer, 500-Sheet Duplex Unit, 500-Sheet Output Bin, 500-Sheet Input Tray, 100-Sheet Multipurpose Feeder

Paper Handling Optional

200-Sheet Universally Adjustable Tray with Drawer, 400-Sheet Universally Adjustable Tray with Drawer, Envelope Feeder, 250-Sheet Drawer, 500-Sheet Drawer, Optional furniture required., 2,000-Sheet High-capacity Feeder

Paper Input Capacity, Standard

1100 pages 20 lb or 75 gsm bond

Paper Input Capacity, Maximum

3100 pages 20 lb or 75 gsm bond

Paper Output Capacity, Standard

500 pages 20 lb or 75 gsm bond

Paper Output Capacity, Maximum

500 pages 20 lb or 75 gsm bond

ADF Paper Input Capacity

Up to 50 pages 20 lb or 75 gsm bond

Envelope Capacity

85

Finishing Option

No

Number of Paper Inputs, Standard

3

Number of Paper Inputs, Maximum

4

Media Types Supported

Card Stock, Dual Web Labels, Envelopes, Integrated Labels, Paper Labels, Plain Paper, Polyester Labels, Transparencies, Vinyl Labels, Refer to the Card Stock & Label Guide

Media Sizes Supported

10 Envelope, 7 3/4 Envelope, 9 Envelope, A4, A5, DL Envelope, Executive, Folio, JIS-B5, Legal, Letter, Statement, Universal

Connectivity (standard)

Fast Ethernet, One Internal Card Slot, USB Compatible with USB 2.0 Specification, USB Direct interface on Operator Panel

Connectivity (optional)

Lexmark N4050e 802.11g Wireless Print Server (Print Only), Internal MarkNet™ N8020 Gigabit Ethernet, Internal MarkNet™ N8050 802.11g Wireless, Internal MarkNet™ N8030 Fiber Fast Ethernet

Network Printing Methods

LPR/LPD, Direct IP (Port 9100), Socket (Raw TCP/IP), IPP (Internet Printing Protocol), HTTP, NDS Queue-based Printing, NDPS/NEPS (Novell Distributed Print Services, Novell Netware Enterprise Print Services), Enhanced IP (Port 9400), FTP, TFTP

Network Protocol Support

TCP/IP IPv4, IPX/SPX, AppleTalk™, LexLink (DLC), TCP/IP IPv6

Network Security

SSL* Enabled Embedded Web Server (HTTPS), SNMPv3, TCP/IP port access control, Authenticated and encrypted MarkVision Professional communication, 802.1x Authentication: MDS, MSCHAPv2, LEAP, PEAP, TLS, TTLS, IPsec, *This product includes software developed by the OpenSSL Project for use in the OpenSSL Toolkit.

Printable Area

4.2 mm of the top, bottom, right and left edges (within)

Printable Area

0.167 inches of the top, bottom, right and left edges (within)

Printer Languages (Standard)

PCL 5e Emulation, PCL 6 Emulation, PPDS, PostScript 3 Emulation, PDF 1.5 Emulation, xHTML

Reduce / Enlarge Range

25 - 400 %

Scan Area, Maximum

216 x 355.6 mm

Scan Area, Standard

8.5 x 14 inches

Modem Speed

33.6 Kbps

Supplies Yield

10,000*-page Print Cartridge, 21,000*-page High Yield Print Cartridge, 32,000*-page Extra High Yield Print Cartridge, Ships with 21,000*-page High Yield Return Program Print Cartridge, *Average standard page yield value declared in accordance with ISO/IEC 19752.

Packaged Size (mm - H x W x D)

1463 x 759 x 673 mm

Packaged Size (in. - H x W x D)

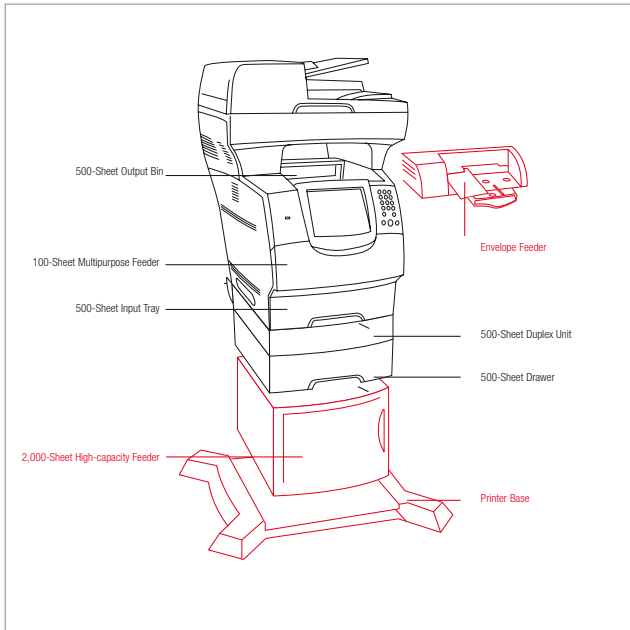
57.6 x 29.9 x 26.5 in.

Size (mm - H x W x D)

890 x 560 x 660 mm

Size (in. - H x W x D)

35 x 22 x 26 in.



Paper Handling Standard
 Paper Handling Optional

Weight (kg)

46.6 kg

Weight (lb.)

102.8 lb.

Acoustics/Noise level (Idle mode)

30 dBA

Acoustics/Noise level (Operating mode)

56 dBA

Copy Noise Level, Operating

62 dBA

Scan Noise Level, Operating

59 dBA

Product Guarantee

One year on site repair, next business day response time.

Product Certifications

Energy Star, CSA, ICES Class A, BSMI Class A, VCCI Class

MULTIFUNCTION

Part #	Model
0022G0463	Lexmark X646dte MFP

Part #	Laser Toner/Print Cartridge
0X644X11E	X644e, X646e Extra High Yield Return Program Print Cartridge (32K)
0X644H11E	X642e, X644e, X646e High Yield Return Program Print Cartridge (21K)
0X644A11E	X642e, X644e, X646e Return Program Print Cartridge (10K)
0X644X21E	X644e, X646e Extra High Yield Print Cartridge (32K)
0X644H21E	X642e, X644e, X646e High Yield Print Cartridge (21K)
0X644A21E	X642e, X644e, X646e Print Cartridge (10K)

Part #	Paper & Transparencies
0012A5010	Lexmark Laser Printers - A4 Transparency

Part #	Paper Handling
0020G0889	T64x 250-Sheet Drawer
0020G0890	T64x 500-Sheet Drawer
0020G0884	T64x 500-Sheet Tray
0020G1218	T64x 400-Sheet Universally Adjustable Drawer
0020G1217	T64x 400-Sheet Universally Adjustable Tray
0020G1223	T64x 200-Sheet Universally Adjustable Tray
0020G1224	T64x 200-Sheet Universally Adjustable Tray
0020G0891	T64x Envelope Feeder
0020G0893	T64x 2000-Sheet High Capacity Feeder

Part #	Furniture
0022G0544	Printer Base
0022G0551	MFP, Printer Cabinet
0016C0379	T Low Profile Printer Stand

Part #	Flash, SDRAM Memory
0013N1523	128MB DDR-DRAM
0013N1524	256MB DDR-DRAM
0013N1526	512MB DDR-DRAM
001021208	32MB Flash Card
001021209	64MB Flash Card
001021243	Japanese Font Card
001021240	Korean Font Card
001021241	Simplified Chinese Font Card
001021242	Traditional Chinese Font Card

Part #	Application Cards / SIMMs
0022G0351	X644e, X646e Card for IPDS/SCS/TNe
0022G0350	X644e, X646e Bar Code Card
0022G0354	X644e, X646e Card for PRESCRIBE Emulation
0022G0353	X644e, X646e, X646dte Forms Card
0022G0352	Lexmark PrintCryption Card for the Lexmark X644e, X646e, X646dte

Part #	Connectivity
001021294	USB (2 Meter) Cable

001021231	Parallel (10') Cable
001021091	Parallel 1284-B Interface Card
001021092	RS-232C Serial Interface Card
0014T0155	Lexmark N4050e 802.11g Wireless Print Server
0014S0200	MarkNet N8020 GigaBit Ethernet Print Server
0014S0220	MarkNet N8030 Fiber Ethernet 100BaseFX, 10BaseFL
0014S0210	MarkNet N8050 802.11g Wireless Print Server
0014T0220	MarkNet™ N7020e Gigabit Ethernet Print Server

Part #	Extended Warranties
002348322	1 Year OnSite Repair Extended Guarantee
002348323	2 Year OnSite Repair Extended Guarantee
002348324	3 Year OnSite Repair Extended Guarantee
002348330	1 Year Renewal OnSite Repair Guarantee

Part #	User Replaceable Parts
0040X0127	T64x, X644e, X646e Dual Charge Roll Assembly
0040X0453	X644e, X646e ADF Pick Up Assembly
0040X0454	X644e, X646e Separator Roll Assembly
0040X0466	X644e, X646e Flatbed White Cushion
0040X0130	T64x, X644e, X646e Transfer Roll Assembly
0040X2665	T64x, X644e, X646e Oil Fuser Wiper
0040X2666	T64x, X644e, X646e Wax Fuser Wiper

Part #	Service Parts
0040X0101	X644e, X646e Fuser Maintenance Kit HV



Lexmark X646ef MFP

Powerful A4 multifunction with advanced finishing

Print Technology

Monochrome Laser

Function

Color Scanning, Copying, Faxing, Network Scanning, Printing

Print Speed (A4, Black)

Up to 48 ppm

Print Speed (Letter, Black)

Up to 50 ppm

Time to First Page (Black)

As fast as 8.5 seconds

Copy Speed (A4, Black)

Up to 48 cpm

Copy Speed (Letter, Black)

Up to 50 cpm

Time to First Copy (Black)

As fast as 9 seconds

Print Resolution, Black

1200 Image Quality

1200 x 1200 dpi

2400 Image Quality

600 x 600 dpi

Scanning Resolution

600 X 600 dpi (mono)

Processor

514 MHz

Memory, Standard

256 MB

Memory, Maximum

640MB (replacement required)

Expandable Memory Options

Yes

Apple Macintosh Operating Systems Supported

Mac OS X, Mac OS 9.x

Citrix MetaFrame

Microsoft Windows 2000 Server running Terminal Services with Citrix MetaFrame XP Presentation Server or Citrix MetaFrame Presentation Server 3.0., Microsoft Windows Server 2003 running Terminal Services with Citrix MetaFrame XP Presentation Server or Citrix MetaFrame Presentation Server 3.0, Microsoft Windows 2000 Server running Terminal Services with Citrix Presentation Server 4.0, Microsoft Windows Server 2003 running Terminal Services with Citrix Presentation Server 4.0, Microsoft Windows Server 2003 x64 running Terminal Services with Citrix Presentation Server 4.0

Linux Operating Systems Supported

Red Flag Linux Desktop 4.0, 5.0, Linpus Linux Desktop 9.2, 9.3, Red Hat Enterprise Linux WS 3.0, 4.0, 5.0, SUSE Linux Enterprise Server 8.0, 9.0, 10.0, SUSE Linux Professional 9.1, 9.2, 9.3, Debian GNU/Linux 3.1, 4.0, Linspire Linux 5.0

Microsoft Windows Operating Systems Supported

2000, NT (4.00/4.00 Server), Me, XP, Server 2003, 98 2nd Edition, XP x64, Server 2003 running Terminal Services, 2000 Server running Terminal Services, Server 2003 x64, Server 2003 x64 running Terminal Services, Vista, Vista x64

Novell Operating Systems Supported

Open Enterprise Server for Netware with NDS, iPrint or Novell Distributed Print Services (NDPS), NetWare® 3.2, 4.2 (bindery), NetWare 4.2, 5.x and 6.x (NDS), NetWare 5.x, 6.x with iPrint or Novell Distributed Print Services (NDPS)

UNIX Operating Systems Supported

Sun Solaris SPARC 8, 9, 10, HP-UX 11.00, 11.1, IBM AIX 5.1, 5.2, 5.3, Sun Solaris x86 10

Other Operating Systems Supported

IBM iSeries or IBM AS/400® Systems with TCP/IP with OS/400® V3R1 or later using OS/400 Host Print Transform, Virtually any platform supporting TCP/IP

Paper Handling Standard

500-Sheet Drawer, 500-Sheet Duplex Unit, 500-Sheet Output Bin, 500-Sheet Input Tray, 100-Sheet Multipurpose Feeder, StapleSmart Finisher

Paper Handling Optional

Envelope Feeder

Paper Input Capacity, Standard

1100 pages 20 lb or 75 gsm bond

Paper Input Capacity, Maximum

1100 pages 20 lb or 75 gsm bond

Paper Output Capacity, Standard

1250 pages 20 lb or 75 gsm bond

Paper Output Capacity, Maximum

1250 pages 20 lb or 75 gsm bond

ADF Paper Input Capacity

Up to 50 pages 20 lb or 75 gsm bond

Envelope Capacity

85

Finishing Option

Standard

Number of Paper Inputs, Standard

3

Number of Paper Inputs, Maximum

3

Media Types Supported

Card Stock, Dual Web Labels, Envelopes, Integrated Labels, Paper Labels, Plain Paper, Polyester Labels, Transparencies, Vinyl Labels, Refer to the Card Stock & Label Guide

Media Sizes Supported

10 Envelope, 7 3/4 Envelope, 9 Envelope, A4, A5, DL Envelope, Executive, Folio, JIS-B5, Legal, Letter, Statement, Universal

Connectivity (standard)

Fast Ethernet, USB Compatible with USB 2.0

Specification, USB Direct interface on Operator Panel

Connectivity (optional)

Lexmark N4050e 802.11g Wireless Print Server (Print Only)

Network Printing Methods

LPR/LPD, Direct IP (Port 9100), Socket (Raw TCP/IP),

IPP (Internet Printing Protocol), HTTP, NDS Queue-based Printing, NDPS/NEPS (Novell Distributed Print Services), Novell Network Enterprise Print Services, Enhanced IP (Port 9400), FTP, TFTP

Network Protocol Support

TCP/IP IPv4, IPX/SPX, AppleTalk™, LexLink (DLC), TCP/IP IPv6

Network Security

SSL* Enabled Embedded Web Server (HTTPS), SNMPv3, TCP/IP port access control, Authenticated and encrypted MarkVision Professional communication, 802.1x Authentication: MDS, MSCHAPv2, LEAP, PEAP, TLS, TTLS, IPsec, *This product includes software developed by the OpenSSL Project for use in the OpenSSL Toolkit.

Printable Area

4.2 mm of the top, bottom, right and left edges (within)

Printable Area

0.167 inches of the top, bottom, right and left edges (within)

Printer Languages (Standard)

PCL 5e Emulation, PCL 6 Emulation, PPDS, PostScript 3 Emulation, PDF 1.5 Emulation, xHTML

Reduce / Enlarge Range

25 - 400 %

Scan Area, Maximum

216 x 355.6 mm

Scan Area, Maximum

8.5 x 14 inches

Modem Speed

33.6 Kbps

Supplies Yield

10,000*-page Print Cartridge, 21,000*-page High Yield Print Cartridge, 32,000*-page Extra High Yield Print Cartridge, Ships with 21,000*-page High Yield Return Program Print Cartridge, *Average standard page yield value declared in accordance with ISO/IEC 19752.

Packaged Size (mm - H x W x D)

1041 x 1219 x 1016 mm

Packaged Size (in. - H x W x D)

41 x 48 x 40 in.

Size (mm - H x W x D)

1448 x 699 x 742 mm

Size (in. - H x W x D)

57 x 27.5 x 29.2 in.

Weight (kg)

81,65 kg

Weight (lb.)

180 lb.

Acoustics/Noise level (Idle mode)

53 dBA

Acoustics/Noise level (Operating mode)

53 dBA

Copy Noise Level, Operating

58 dBA

Scan Noise Level, Operating

53 dBA



Product Guarantee

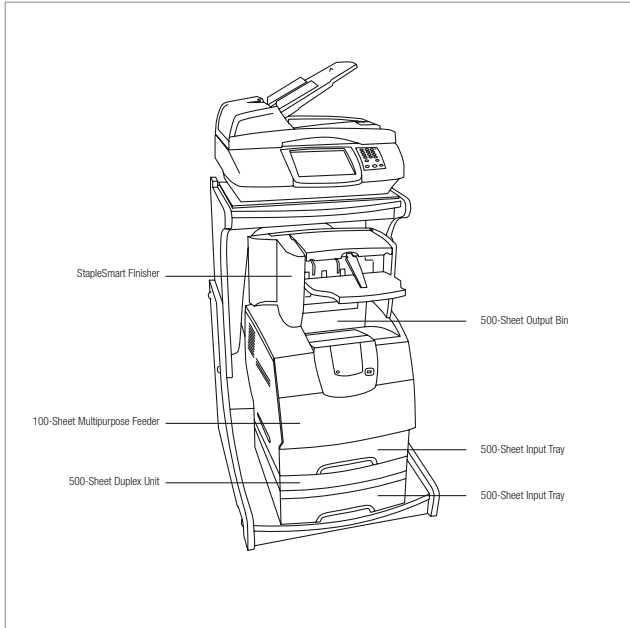
One year on site repair, next business day response time.

Product Certifications

Energy Star, CSA, ICES Class A, BSMI Class A, VCCI Class A, FCC Class A, UL 60950-1, IEC 60320-1, ECMA-74, CE Class A, CB IEC 60950 1, IEC 60825-1, IEC 61000-3-2, -3-3, EN 55022, EN 55024, CISPIR 22 Class A, GS (TÜV)-EN 60950-1, SEMKO, UL AR, CS, TÜV Rh, A-tick Class A, CCC Class A, PSB, MIC, EK - K60950

Specified Operating Environment

Temperature: 16 to 32°C (60 to 90°F), Humidity: 8 to 80% Relative Humidity, Altitude: 0 - 3048 Meters (10,000 Feet)



Paper Handling Standard
 Paper Handling Optional

Part #	Model
0021J0150	Lexmark X646ef MFP

Part #	Laser Toner/Print Cartridge
0X644X11E	X644e, X646e Extra High Yield Return Program Print Cartridge (32K)
0X644H11E	X642e, X644e, X646e High Yield Return Program Print Cartridge (21K)
0X644A11E	X642e, X644e, X646e Return Program Print Cartridge (10K)
0X644X21E	X644e, X646e Extra High Yield Print Cartridge (32K)
0X644H21E	X642e, X644e, X646e High Yield Print Cartridge (21K)
0X644A21E	X642e, X644e, X646e Print Cartridge (10K)
0011K3188	Staple Cartridge (3x3K)

Part #	Paper & Transparencies
0012A5010	Lexmark Laser Printers - A4 Transparency

Part #	Paper Handling
0020G0891	T64x Envelope Feeder

Part #	Flash, SDRAM Memory
0013N1524	256MB DDR-DRAM
0013N1526	512MB DDR-DRAM
001021208	32MB Flash Card
001021209	64MB Flash Card
001021243	Japanese Font Card
001021240	Korean Font Card
001021241	Simplified Chinese Font Card
001021242	Traditional Chinese Font Card

Part #	Application Cards / SIMMs
0021J0334	X646ef Card for IPDS/SCS/TNe
0021J0347	X646ef Bar Code Card
0021J0345	X646ef Forms Card
0021J0346	X646ef Card for PRESCRIBE Emulation

Part #	Connectivity
001021294	USB (2 Meter) Cable
0014T0155	Lexmark N4050e 802.11g Wireless Print Server
0014T0220	MarkNet™ N7020e Gigabit Ethernet Print Server

Part #	Extended Warranties
002348296	1 Year OnSite Repair Extended Guarantee
002348297	2 Year OnSite Repair Extended Guarantee
002348298	3 Year OnSite Repair Extended Guarantee
002348304	1 Year Renewal OnSite Repair Guarantee

Part #	User Replaceable Parts
0040X0130	T64x, X644e, X646e Transfer Roll Assembly
0040X2665	T64x, X644e, X646e Oil Fuser Wiper
0040X2666	T64x, X644e, X646e Wax Fuser Wiper
0040X2538	4600 MFP Option Separator (Pick) Roll Pad

0040X2540	4600 MFP Option Pick Roller
-----------	-----------------------------

Part #	Service Parts
0040X0100	X644e, X646e Fuser Maintenance Kit LV
0040X0101	X644e, X646e Fuser Maintenance Kit HV



Lexmark X782e

Outstanding colour and intuitive interface – a brilliant combination

Print Technology

Color Laser

Function

Color Copying, Color Printing, Color Scanning, Faxing, Color Network Scanning

Print Speed (A4, Black)

Up to 38 ppm

Print Speed (A4, Colour)

Up to 33 ppm

Print Speed (Letter, Black)

Up to 40 ppm

Print Speed (Letter, Colour)

Up to 35 ppm

Print Speed (A4, Black) Duplex

Up to 38 ppm

Print Speed (Letter, Black) Duplex

Up to 40 spm

Time to First Page (Black)

As fast as 11 seconds

Time to First Page (Colour)

As fast as 13 seconds

Copy Speed (A4, Black)

Up to 38 cpm

Copy Speed (Letter, Black)

Up to 40 cpm

Time to First Copy (Black)

As fast as < 14 seconds

Print Resolution, Black

1200 x 1200 dpi

4800 Colour Quality (2400 x 600 dpi)

Print Resolution, Colour

1200 x 1200 dpi, 4800 Colour Quality (2400 x 600 dpi)

Scanning Resolution

300 X 300 dpi (colour), 600 X 600 dpi (mono)

Processor

800 Mhz

Memory, Standard

768 MB

Memory, Maximum

768 MB

Expandable Memory Options

No

Apple Macintosh Operating Systems Supported

Mac OS X, Mac OS 9.x

Citrix MetaFrame

Citrix, MetaFrame and MetaFrame XP are registered trademarks or trademarks of Citrix Systems, Inc. in the U.S. and other countries., Microsoft Windows 2000 Server running Terminal Services with Citrix MetaFrame XP Presentation Server or Citrix MetaFrame Presentation Server 3.0., Microsoft Windows Server 2003 running Terminal Services with Citrix MetaFrame XP Presentation Server or Citrix MetaFrame Presentation Server 3.0, Microsoft Windows 2000 Server running Terminal Services with Citrix Presentation Server 4.0, Microsoft Windows Server 2003 running Terminal Services with Citrix Presentation Server 4.0, Microsoft Windows Server 2003 x64 running Terminal Services with Citrix

Presentation Server 4.0

Linux Operating Systems Supported

Red Hat Linux Desktop 4.0, 5.0, Linpus Linux Desktop 9.2, 9.3, Red Hat Enterprise Linux WS 3.0, 4.0, 5.0, SUSE Linux Enterprise Server 8.0, 9.0, 10.0, Debian GNU/Linux 3.1, 4.0, Linspire Linux 5.0, SUSE Linux 10.0, 10.1, 10.2

Microsoft Windows Operating Systems Supported

2000, NT (4.00/4.00 Server), XP, Server 2003, XP x64, Server 2003 running Terminal Services, 2000 Server running Terminal Services, Server 2003 x64, Server 2003 x64 running Terminal Services, Vista, Vista x64

Novell Operating Systems Supported

Open Enterprise Server for Netware with NDS, iPrint or Novell Distributed Print Services (NDPS), NetWare® 3.2, 4.2 (bindery), NetWare 4.2, 5.x and 6.x (NDS), NetWare 5.x, 6.x with iPrint or Novell Distributed Print Services (NDPS)

UNIX Operating Systems Supported

Sun Solaris SPARC 8, 9, 10, HP-UX 11.00, 11.1, IBM AIX 5.1, 5.2, 5.3, Sun Solaris x86 10

Other Operating Systems Supported

IBM iSeries or IBM AS/400® Systems with TCP/IP with OS/400® V3R1 or later using OS/400 Host Print Transform, Virtually any platform supporting TCP/IP

Paper Handling Standard

250-Sheet Output Bin, 500-Sheet Drawer, 500-Sheet Input Tray, Duplex Unit, Second 500-Sheet Drawer, 100-Sheet Multipurpose Feeder

Paper Handling Optional

Banner Media Tray

Paper Input Capacity, Standard

1600 pages 20 lb or 75 gsm bond

Paper Input Capacity, Maximum

1600 pages 20 lb or 75 gsm bond

Paper Output Capacity, Standard

250 pages 20 lb or 75 gsm bond

Paper Output Capacity, Maximum

250 pages 20 lb or 75 gsm bond

ADF Paper Input Capacity

Up to 50 pages 20 lb or 75 gsm bond

Envelope Capacity

10

Finishing Option

No

Number of Paper Inputs, Standard

4

Number of Paper Inputs, Maximum

4

Media Types Supported

Card Stock, Envelopes, Glossy paper, Labels, Plain Paper, Transparencies, Refer to the Card Stock & Label Guide, Banner Paper

Media Sizes Supported

10 Envelope, 7 3/4 Envelope, 9 Envelope, A4, A5, B5 Envelope, C5 Envelope, DL Envelope, Executive, Folio,

JIS-B5, Legal, Letter, Statement, Universal, Banner

Connectivity (standard)

Fast Ethernet, USB Compatible with USB 2.0 Specification, USB Direct interface on Operator Panel

Connectivity (optional)

Lexmark N4050e 802.11g Wireless Print Server (Print Only), External MarkNet™ N7020e Gigabit Ethernet

Network Printing Methods

LPR/LPD, Direct IP (Port 9100), Socket (Raw TCP/IP), IPP (Internet Printing Protocol), HTTP, NDS Queue-based Printing, NDPS/NEPS (Novell Distributed Print Services, Novell Netware Enterprise Print Services), Enhanced IP (Port 9400)

Network Protocol Support

TCP/IP IPv4, IPX/SPX, AppleTalk™, LexLink (DLC), TCP/IP IPv6

Network Security

SSL* Enabled Embedded Web Server (HTTPS), SNMPv3, TCP/IP port access control, 802.1x Authentication: MD5, MSCHAPv2, LEAP, PEAP, TLS, TTLS, IPsec. *This product includes software developed by the OpenSSL Project for use in the OpenSSL Toolkit.

Printable Area

4.2 mm of the top, bottom, right and left edges (within)

Printable Area

0.167 inches of the top, bottom, right and left edges (within)

Printer Languages (Standard)

PCL 5c Emulation, PCL 6 Emulation, PPDS, PostScript 3 Emulation, PDF 1.5 Emulation, xHTML, Direct Image

Reduce / Enlarge Range

25 - 400 %

Scan Area, Maximum

216 x 355.6 mm

Scan Area, Maximum

8.5 x 14 inches

Modem Speed

33.6 Kbps

Supplies Yield

6,000*-page (CMYK) Print Cartridges, 10,000*-page (CMYK) High Yield Print Cartridges, 15,000*-page (CMYK) Extra High Yield Print Cartridges, Ships with 10,000*-page black and colour High Yield Return

Program Print Cartridges, *Average continuous black or continuous composite CMY declared cartridge yield up to this number of standard pages in accordance with ISO/IEC 19798.

Packaged Size (mm - H x W x D)

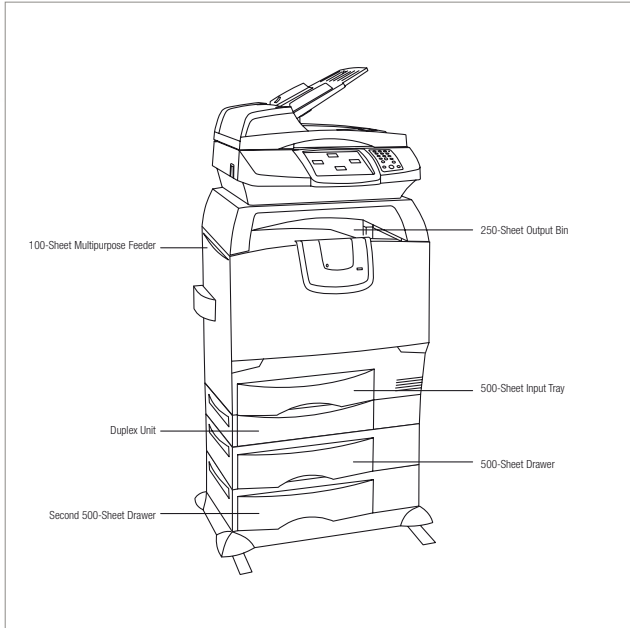
810 x 795 x 650; 1245 x 1219 x 1016 mm

Packaged Size (in. - H x W x D)

31.9 x 31.3 x 25.6; 49 x 48 x 40 in.

Size (mm - H x W x D)

1410 x 679 x 584 mm



Size (in. - H x W x D)

55.5 x 26.75 x 23 in.

Weight (Kg)

97.5 kg

Weight (lb.)

215 lb.

Acoustics/Noise level (Idle mode)

31 dBA

Acoustics/Noise level (Operating mode)

50 dBA

Copy Noise Level, Operating

49 dBA

Scan Noise Level, Operating

49 dBA

Product Guarantee

1-Year Onsite Repair

Paper Handling Standard
 Paper Handling Optional

Part #	Model
0021J0429	Lexmark X782e

Part #	Laser Toner/Print Cartridge
00C782X1KG	C782 Black Extra High Yield Return Program Print Cartridge
00C780H1KG	C780, C782 Black High Yield Return Program Print Cartridge
00C780A1KG	C780, C782 Black Return Program Print Cartridge
00C782X2KG	C782 Black Extra High Yield Print Cartridge
00C780H2KG	C780, C782 Black High Yield Print Cartridge
00C780A2KG	C780, C782 Black Print Cartridge
00C782X1CG	C782 Cyan Extra High Yield Return Program Print Cartridge
00C780H1CG	C780, C782 Cyan High Yield Return Program Print Cartridge
00C780A1CG	C780, C782 Cyan Return Program Print Cartridge
00C782X2CG	C782 Cyan Extra High Yield Print Cartridge
00C780H2CG	C780, C782 Cyan High Yield Print Cartridge
00C780A2CG	C780, C782 Cyan Print Cartridge
00C782X1MG	C782 Magenta Extra High Yield Return Program Print Cartridge
00C780H1MG	C780, C782 Magenta High Yield Return Program Print Cartridge
00C780A1MG	C780, C782 Magenta Return Program Print Cartridge
00C782X2MG	C782 Magenta Extra High Yield Print Cartridge
00C780H2MG	C780, C782 Magenta High Yield Print Cartridge
00C780A2MG	C780, C782 Magenta Print Cartridge
00C782X1YG	C782 Yellow Extra High Yield Return Program Print Cartridge
00C780H1YG	C780, C782 Yellow High Yield Return Program Print Cartridge
00C780A1YG	C780, C782 Yellow Return Program Print Cartridge
00C782X2YG	C782 Yellow Extra High Yield Print Cartridge
00C780H2YG	C780, C782 Yellow High Yield Print Cartridge
00C780A2YG	C780, C782 Yellow Print Cartridge
0010B3100	C75X, C76X, C77X Waste Toner Container

Part #	Paper & Transparencies
0012A5951	Glossy Laser Paper, A4 (200)
0012A8241	Professional Colour Laser Transparencies, A4
0012A5950	Glossy Laser Paper, Letter (200)
0012A8940	C762 Banner Laser Paper
0012A8601	C762 Outdoor Media, A4

Part #	Paper Handling
0020B2373	C770, C772, C780, C782 500-Sheet Tray
0020B5000	C772, C782 Banner Media Tray

Part #	Flash, SDRAM Memory
001021208	32MB Flash Card
001021209	64MB Flash Card
001021243	Japanese Font Card
001021240	Korean Font Card
001021241	Simplified Chinese Font Card
001021242	Traditional Chinese Font Card

Part #	Application Cards / SIMMs
0021J0577	X782e Bar Code Card

0021J0579	X782e Card for IPDS and SCS/TNE
0021J0578	X782e Forms Card

Part #	Connectivity
001021294	USB (2 Meter) Cable
0014T0155	Lexmark N4050e 802.11g Wireless Printer Server
0014T0220	MarkNet™ N7020e Gigabit Ethernet Printer Server

Part #	Extended Warranties
002349416	1 Year OnSite Repair Extended Guarantee
002349417	2 Year OnSite Repair Extended Guarantee
002349418	3 Year OnSite Repair Extended Guarantee
002349420	1 Year Renewal OnSite Repair Guarantee

Part #	User Replaceable Parts
0040X2540	4600 MFP Option Pick Roller
0040X2538	4600 MFP Option Separator (Pick) Roll Pad
0040X1832	C780, C782 Fuser Maintenance Kit 220V
0040X1826	C780, C782 Image Transfer Unit Maintenance Kit

MULTIFUNCTION



Lexmark X850e MFP

An affordable path to workgroup efficiency!

Print Technology

Monochrome Laser

Function

Copying, Faxing, Network Scanning, Printing

Print Speed (A4, Black)

Up to 35 ppm

Print Speed (Letter, Black)

Up to 35 ppm

Print Speed (A4, Black) Duplex

Up to 35 ppm

Print Speed (Letter, Black) Duplex

Up to 35 ppm

Time to First Page (Black)

As fast as 5 seconds

Copy Speed (A4, Black)

Up to 35 cpm

Copy Speed (Letter, Black)

Up to 35 cpm

Time to First Copy (Black)

As fast as 7 seconds

Print Resolution, Black

1200 x 1200 dpi

2400 Image Quality

600 x 600 dpi

Scanning Resolution

600 X 600 dpi, 600 X 300 dpi (colour)

Processor

625 MHz

Memory, Standard

256 MB

Memory, Maximum

768 MB

Expandable Memory Options

Yes

Apple Macintosh Operating Systems Supported

Mac OS X, Mac OS 9.x

Citrix MetaFrame

Microsoft Windows 2000 Server running Terminal Services with Citrix MetaFrame XP Presentation Server or Citrix MetaFrame Presentation Server 3.0., Microsoft Windows Server 2003 running Terminal Services with Citrix MetaFrame XP Presentation Server or Citrix MetaFrame Presentation Server 3.0, Microsoft Windows 2000 Server running Terminal Services with Citrix Presentation Server 4.0, Microsoft Windows Server 2003 running Terminal Services with Citrix Presentation Server 4.0, Microsoft Windows Server 2003 running Terminal Services with Citrix Presentation Server 4.0, Microsoft Windows Server 2003 x64 running Terminal Services with Citrix Presentation Server 4.0

Linux Operating Systems Supported

Red Flag Linux Desktop 4.0, 5.0, Linpus Linux Desktop 9.2, 9.3, Red Hat Enterprise Linux WS 3.0, 4.0, 5.0, SUSE Linux Enterprise Server 8.0, 9.0, 10.0, SUSE Linux Professional 9.1, 9.2, 9.3, Debian GNU/Linux 3.1, 4.0, Linspire Linux 5.0

Microsoft Windows Operating Systems Supported

2000, NT (4.0/4.0 Server), Me, XP, Server 2003, 98 2nd Edition, XP x64, Server 2003 running Terminal Services, 2000 Server running Terminal Services, Server

2003 x64, Server 2003 x64 running Terminal Services, Vista, Vista x64

Novell Operating Systems Supported

Open Enterprise Server for Netware with NDS, iPrint or Novell Distributed Print Services (NDPS), NetWare® 3.2, 4.2 (bindery), NetWare 4.2, 5.x and 6.x (NDS), NetWare 5.x, 6.x with iPrint or Novell Distributed Print Services (NDPS)

UNIX Operating Systems Supported

Sun Solaris SPARC 8, 9, 10, HP-UX 11.00, 11.1, IBM AIX 5.1, 5.2, 5.3, Sun Solaris x86 10

Other Operating Systems Supported

IBM iSeries or IBM AS/400® Systems with TCP/IP with OS/400® V3R1 or later using OS/400 Host Print Transform, Virtually any platform supporting TCP/IP

Paper Handling Standard

500-Sheet Output Bin, Duplex Unit, Two 500-Sheet Trays, 100-Sheet Multipurpose Feeder, 2,000-Sheet Dual Input

Paper Handling Optional

2,000-Sheet High-capacity Feeder, 3,500-Sheet Finisher, Booklet Finisher

Paper Input Capacity, Standard

3100 pages 20 lb or 75 gsm bond

Paper Input Capacity, Maximum

5100 pages 20 lb or 75 gsm bond

Paper Output Capacity, Standard

500 pages 20 lb or 75 gsm bond

Paper Output Capacity, Maximum

3800 pages 20 lb or 75 gsm bond

ADF Paper Input Capacity

Up to 75 pages 20 lb or 75 gsm bond

Envelope Capacity

10

Finishing Option

Yes

Number of Paper Inputs, Standard

5

Number of Paper Inputs, Maximum

6

Media Types Supported

Card Stock, Envelopes, Paper Labels, Plain Paper, Transparencies, Refer to the Card Stock & Label Guide

Media Sizes Supported

10 Envelope, 7 3/4 Envelope, A3, A4, A5, C5 Envelope, DL Envelope, Executive, Folio, JIS-B4, JIS-B5, Ledger, Legal, Letter, Statement, Universal

Connectivity (standard)

Centronics IEEE 1284 Bidirectional Parallel, Fast Ethernet, One Internal Card Slot, USB Compatible with USB 2.0 Specification, USB Direct interface on Operator Panel, USB port (Type A) compatible with USB 2.0 Specification

Connectivity (optional)

Lexmark N4050e 802.11g Wireless Print Server (Print Only), Internal MarkNet™ N8020 Gigabit Ethernet,

Internal MarkNet™ N8050 802.11g Wireless, Internal MarkNet™ N8030 Fiber Fast Ethernet

Network Printing Methods

LPR/LPD, Direct IP (Port 9100), Socket (Raw TCP/IP), IPP (Internet Printing Protocol), HTTP, NDS Queue-based Printing, NDPS/NEPS (Novell Distributed Print Services, Novell Network Enterprise Print Services), Enhanced IP (Port 9400), FTP, TFTP

Network Protocol Support

TCP/IP IPv4, IPX/SPX, AppleTalk™, LexLink (DLC), TCP/IP IPv6

Network Security

SSL* Enabled Embedded Web Server (HTTPS), SNMPv3, TCP/IP port access control, Authenticated and encrypted MarkVision Professional communication, 802.1x Authentication: MDS, MSCHAPv2, LEAP, PEAP, TLS, TTLS, IPsec, *This product includes software developed by the OpenSSL Project for use in the OpenSSL Toolkit.

Printable Area

4 mm of the top, bottom, right and left edges (within)

Printable Area

0.157 inches of the top, bottom, right and left edges (within)

Printer Languages (Standard)

PCL 5e Emulation, PCL 6 Emulation, PPDS, PostScript 3 Emulation, PDF 1.5 Emulation, xHTML

Reduce / Enlarge Range

25 - 400 %

Scan Area, Maximum

297 x 432 mm

Scan Area, Maximum

11.7 x 17 inches

Modem Speed

33.6 Kbps

Supplies Yield

Average standard page yield value declared in accordance with ISO/IEC 19752., 30,000-page Toner Cartridge, 48,000-page Photoconductor Unit

Packaged Size (mm - H x W x D)

1380 x 890 x 850 mm

Packaged Size (in. - H x W x D)

54.3 x 35 x 33.5 in.

Size (mm - H x W x D)

1095 x 640 x 700 mm

Size (in. - H x W x D)

43 x 25 x 25.5 in.

Weight (kg)

105.7 kg

Weight (lb.)

233 lb.

Acoustics/Noise level (Idle mode)

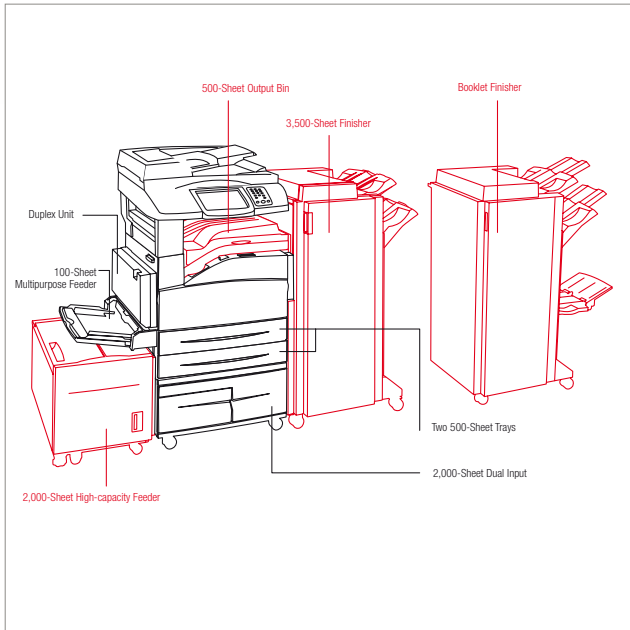
32 dBA

Acoustics/Noise level (Operating mode)

52 dBA

Copy Noise Level, Operating

56 dBA



Paper Handling Standard
 Paper Handling Optional

Scan Noise Level, Operating

54 dBA

Product Guarantee

One year on site repair next business day response time or 600,000 impressions

Product Certifications

Energy Star, CSA, ICES Class A, BSMI Class A, VCCI Class A, FCC Class A, UL 60950-1, IEC 320-1, ECMA-74, CE Class A, CB IEC 60950 1, IEC 61000-3-2 and -3-3, EN 55022, EN 55024, CISPIR 22 Class A, GS (TÜV)-EN 60950-1, SEMKO, UL AR, CS, TÜV Rh, N Mark, C-tick Class A, CCC Class A, RPC, PSB, MIC, EK - K60950

Specified Operating Environment

Temperature: 16 to 32°C (60 to 90°F), Humidity: 8 to 80% Relative Humidity, Altitude: 0 - 3048 Meters (10,000 Feet)

Part #	Model
0015R0050	Lexmark X850e MFP

Part #	Laser Toner/Print Cartridge
0X850H21G	X85xe Toner Cartridge (30K)
0X850H22G	X850e, X852e and X854e Photoconductor Kit
0025A0013	Staple Cartridges (3 pack)
0021Z0357	Saddle Staple Cartridges (4 pack)

Part #	Paper & Transparencies
0012A5010	Lexmark Laser Printers - A4 Transparency

Part #	Paper Handling
0015R0145	X850e, X852e, X854e, W840 High Capacity Feeder
0015R0144	X850e, X852e, X854e, W840 Finisher (2 / 3-Hole)
0015R0143	X850e, X852e, X854e, W840 Finisher (2 / 4-Hole)
0015R0336	X850e, X852e, X854e Booklet Finisher (2/4-Hole)

Part #	Flash, SDRAM Memory
0013N1523	128MB DDR-DRAM
0013N1524	256MB DDR-DRAM
0013N1526	512MB DDR-DRAM
001021208	32MB Flash Card
001021209	64MB Flash Card
001021243	Japanese Font Card
001021240	Korean Font Card
001021241	Simplified Chinese Font Card
001021242	Traditional Chinese Font Card

Part #	Application Cards / SIMMS
0015R0092	X850e, X852e, X854e Card for IPDS/SCS/TNE
0015R0091	X850e, X852e, X854e Bar Code Card
0015R0095	X850e, X852e, X854e Card for PRESCRIBE Emulation
0015R0094	X850e, X852e, X854e Forms Card
0015R0093	Lexmark PrintCryption Card for the Lexmark X850e, X852e, X854e

Part #	Connectivity
001021294	USB (2 Meter) Cable
001021231	Parallel (10') Cable
001021091	Parallel 1284-B Interface Card
001021092	RS-232C Serial Interface Card
0014T0155	Lexmark N4050e 802.11g Wireless Print Server
0014S0200	MarkNet N8020 GigaBit Ethernet Print Server
0014S0220	MarkNet N8030 Fiber Ethernet 100BaseFX, 10BaseFL
0014S0210	MarkNet N8050 802.11g Wireless Print Server
0014T0220	MarkNet™ N7020e Gigabit Ethernet Print Server

Part #	Extended Warranties
002348408	1 year Extended OnSite Repair or 600,000 pages
002348409	2 Years OnSite Repair Extended or 1.2 million pages

002348410	3 Years Extended OnSite Repair or 1.8 million pages
002348412	1 year Renewal OnSite Repair or 600,000 pages

Part #	User Replaceable Parts
0040X2376	X850e, X852e, X854e Fuser Maintenance Kit HV

Part #	Service Parts
0040X2734	X850e, X852e, X854e ADF Maintenance Kit

MULTIFUNCTION



Lexmark X850e VE3

An affordable path to workgroup efficiency!

Print Technology

Monochrome Laser

Function

Copying, Network Scanning, Printing

Print Speed (A4, Black)

Up to 35 ppm

Print Speed (Letter, Black)

Up to 35 ppm

Print Speed (A4, Black) Duplex

Up to 35 ppm

Print Speed (Letter, Black) Duplex

Up to 35 ppm

Time to First Page (Black)

As fast as 5.5 seconds

Copy Speed (A4, Black)

Up to 35 cpm

Copy Speed (Letter, Black)

Up to 35 cpm

Time to First Copy (Black)

As fast as 7 seconds

Print Resolution, Black

1200 x 1200 dpi

2400 Image Quality

600 x 600 dpi

Scanning Resolution

600 X 600 dpi, 600 X 300 dpi (colour)

Processor

625 MHz

Memory, Standard

256 MB

Memory, Maximum

768 MB

Expandable Memory Options

Yes

Apple Macintosh Operating Systems Supported

Mac OS X, Mac OS 9.x

Citrix MetaFrame

Microsoft Windows 2000 Server running Terminal Services with Citrix MetaFrame XP Presentation Server or Citrix MetaFrame Presentation Server 3.0., Microsoft Windows Server 2003 running Terminal Services with Citrix MetaFrame XP Presentation Server or Citrix MetaFrame Presentation Server 3.0, Microsoft Windows 2000 Server running Terminal Services with Citrix Presentation Server 4.0, Microsoft Windows Server 2003 running Terminal Services with Citrix Presentation Server 4.0, Microsoft Windows Server 2003 x64 running Terminal Services with Citrix Presentation Server 4.0

Linux Operating Systems Supported

Red Flag Linux Desktop 4.0, 5.0, Linpus Linux Desktop 9.2, 9.3, Red Hat Enterprise Linux WS 3.0, 4.0, 5.0, SUSE Linux Enterprise Server 8.0, 9.0, 10.0, SUSE Linux Professional 9.1, 9.2, 9.3, Debian GNU/Linux 3.1, 4.0, Linspire Linux 5.0

Microsoft Windows Operating Systems Supported

2000, XP, Server 2003, XP x64, Server 2003 running Terminal Services, 2000 Server running Terminal Services, Server 2003 x64, Server 2003 x64 running

Terminal Services, Vista, Vista x64

Novell Operating Systems Supported

Open Enterprise Server for Netware with NDS, iPrint or Novell Distributed Print Services (NDPS), NetWare® 3.2, 4.2 (bindery), NetWare 4.2, 5.x and 6.x (NDS), NetWare 5.x, 6.x with iPrint or Novell Distributed Print Services (NDPS)

UNIX Operating Systems Supported

Sun Solaris SPARC 8, 9, 10, HP-UX 11.00, 11.1, IBM AIX 5.1, 5.2, 5.3, Sun Solaris x86 10

Other Operating Systems Supported

IBM iSeries or IBM AS/400® Systems with TCP/IP with OS/400® V3R1 or later using OS/400 Host Print Transform, Virtually any platform supporting TCP/IP

Paper Handling Standard

500-Sheet Output Bin, Duplex Unit, Two 500-Sheet Trays, 100-Sheet Multipurpose Feeder

Paper Handling Optional

2,000-Sheet High-capacity Feeder, 2,000-Sheet Dual Input, 2 x 500-Sheet Drawer, 3,500-Sheet Finisher, Booklet Finisher

Paper Input Capacity, Standard

1100 pages 20 lb or 75 gsm bond

Paper Input Capacity, Maximum

5100 pages 20 lb or 75 gsm bond

Paper Output Capacity, Standard

500 pages 20 lb or 75 gsm bond

Paper Output Capacity, Maximum

3800 pages 20 lb or 75 gsm bond

ADF Paper Input Capacity

Up to 75 pages 20 lb or 75 gsm bond

Envelope Capacity

10

Finishing Option

Yes

Number of Paper Inputs, Standard

3

Number of Paper Inputs, Maximum

6

Media Types Supported

Card Stock, Envelopes, Paper Labels, Plain Paper, Transparencies, Refer to the Card Stock & Label Guide

Media Sizes Supported

10 Envelope, 7 3/4 Envelope, A3, A4, A5, C5 Envelope, DL Envelope, Executive, Folio, JIS-B4, JIS-B5, Ledger, Legal, Letter, Statement, Universal

Connectivity (standard)

Centronics IEEE 1284 Bidirectional Parallel, Fast Ethernet, One Internal Card Slot, USB Compatible with USB 2.0 Specification, USB Direct interface on Operator Panel, USB port (Type A) compatible with USB 2.0 Specification

Connectivity (optional)

Lexmark N4050e 802.11g Wireless Print Server (Print Only), Internal MarkNet™ N8020 Gigabit Ethernet,

Internal MarkNet™ N8050 802.11g Wireless, Internal MarkNet™ N8030 Fiber Fast Ethernet

Network Printing Methods

LPR/LPD, Direct IP (Port 9100), Socket (Raw TCP/IP), IPP (Internet Printing Protocol), HTTP, NDS Queue-based Printing, NDPS/NEPS (Novell Distributed Print Services, Novell Netware Enterprise Print Services), Enhanced IP (Port 9400), FTP, TFTP

Network Protocol Support

TCP/IP IPv4, IPX/SPX, AppleTalk™, LexLink (DLC), TCP/IP IPv6

Network Security

SSL* Enabled Embedded Web Server (HTTPS), SNMPv3, TCP/IP port access control, Authenticated and encrypted MarkVision Professional communication, 802.1x Authentication: MDS, MSCHAPv2, LEAP, PEAP, TLS, TTLS, IPsec, *This product includes software developed by the OpenSSL Project for use in the OpenSSL Toolkit.

Printable Area

4 mm of the top, bottom, right and left edges (within)

Printable Area

0.157 inches of the top, bottom, right and left edges (within)

Printer Languages (Standard)

PCL 5e Emulation, PCL 6 Emulation, PPDS, PostScript 3 Emulation, PDF 1.5 Emulation, xHTML

Reduce / Enlarge Range

25 - 400 %

Scan Area, Maximum

297 x 432 mm

Scan Area, Maximum

11.7 x 17 inches

Supplies Yield

Average standard page yield value declared in accordance with ISO/IEC 19752., 30,000-page Toner Cartridge, 48,000-page Photoconductor Unit

Packaged Size (mm - H x W x D)

1045 x 875 x 835 mm

Packaged Size (in. - H x W x D)

41.14 x 34.45 x 32.87 in.

Size (mm - H x W x D)

803 x 640 x 700 mm

Size (in. - H x W x D)

31.5 x 25 x 25.5 in.

Weight (kg)

75.7 kg

Weight (lb.)

166.8 lb.

Acoustics/Noise level (Idle mode)

32 dBA

Acoustics/Noise level (Operating mode)

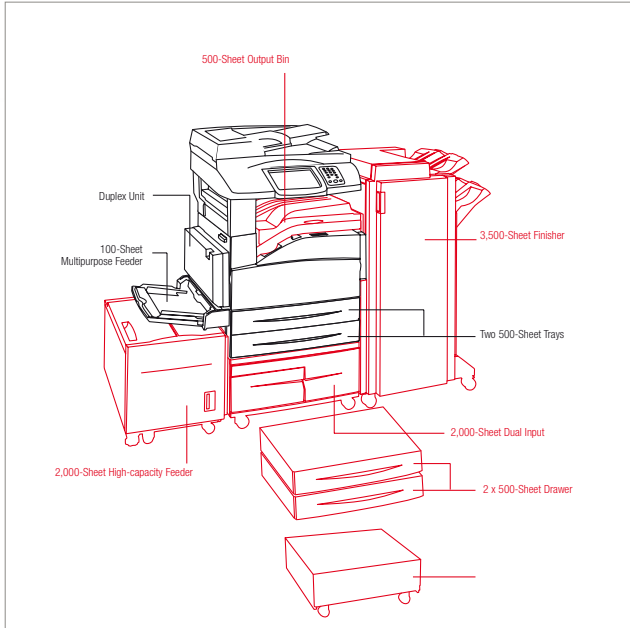
52 dBA

Copy Noise Level, Operating

56 dBA

Scan Noise Level, Operating

54 dBA



MULTIFUNCTION

Product Guarantee

1-Year or 600,000 Impressions - Onsite Repair

Product Certifications

Energy Star, CSA, ICES Class A, BSMI Class A, VCCI Class A, FCC Class A, UL 60950-1, IEC 320-1, ECMA-74, CE Class A, CB IEC 60950 1, IEC 61000-3-2 and -3-3, EN 55022, EN 55024, CISPIR 22 Class A, GS (TÜV)-EN 60950-1, SEMKO, UL AR, CS, TÜV Rh, N Mark, C-tick Class A, CCC Class A, RPC, PSB, MIC, EK - K60950

Specified Operating Environment

Temperature: 16 to 32°C (60 to 90°F), Humidity: 8 to 80% Relative Humidity, Altitude: 0 - 3048 Meters (10,000 Feet)

Part #	Model
0015R0700	Lexmark X850e VE3

Part #	Laser Toner/Print Cartridge
0X850H21G	X85xe Toner Cartridge (30K)
0X850H22G	X850e, X852e and X854e Photoconductor Kit
0025A0013	Staple Cartridges (3 pack)
0021Z0357	Saddle Staple Cartridges (4 pack)

Part #	Paper & Transparencies
0012A5010	Lexmark Laser Printers - A4 Transparency

Part #	Paper Handling
0015R0146	W840 2 x 500-Sheet Drawer
0015R0120	W840 2000-Sheet Dual Input
0015R0145	X850e, X852e, X854e, W840 High Capacity Feeder
0015R0144	X850e, X852e, X854e, W840 Finisher (2 / 3-Hole)
0015R0143	X850e, X852e, X854e, W840 Finisher (2 / 4-Hole)
0015R0336	X850e, X852e, X854e Booklet Finisher (2/4-Hole)

Part #	Flash, SDRAM Memory
0013N1523	128MB DDR-DRAM
0013N1524	256MB DDR-DRAM
0013N1526	512MB DDR-DRAM
001021208	32MB Flash Card
001021209	64MB Flash Card
001021243	Japanese Font Card
001021240	Korean Font Card
001021241	Simplified Chinese Font Card
001021242	Traditional Chinese Font Card

Part #	Application Cards / SIMMs
0015R0092	X850e, X852e, X854e Card for IPDS/SCS/TNe
0015R0091	X850e, X852e, X854e Bar Code Card
0015R0095	X850e, X852e, X854e Card for PRESCRIBE Emulation
0015R0094	X850e, X852e, X854e Forms Card
0015R0093	Lexmark Print/Cryption Card for the Lexmark X850e, X852e, X854e

Part #	Connectivity
001021294	USB (2 Meter) Cable
001021231	Parallel (10') Cable
001021091	Parallel 1284-B Interface Card
001021092	RS-232C Serial Interface Card
0014T0155	Lexmark N4050e 802.11g Wireless Print Server
0014S0200	MarkNet N8020 GigaBit Ethernet Print Server
0014S0220	MarkNet N8030 Fiber Ethernet 100BaseFX, 10BaseFL
0014S0210	MarkNet N8050 802.11g Wireless Print Server
0014T0220	MarkNet™ N7020e Gigabit Ethernet Print Server

Part #	Extended Warranties
002348408	1 year Extended OnSite Repair or 600,000 pages

002348409	2 Years OnSite Repair Extended or 1.2 million pages
002348410	3 Years Extended OnSite Repair or 1.8 million pages
002348412	1 year Renewal OnSite Repair or 600,000 pages

Part #	User Replaceable Parts
0040X2375	X850e, X852e, X854e Fuser Maintenance Kit LV
0040X2376	X850e, X852e, X854e Fuser Maintenance Kit HV

Part #	Service Parts
0040X2734	X850e, X852e, X854e ADF Maintenance Kit



Lexmark X850e VE4

An affordable path to workgroup efficiency!

Print Technology

Monochrome Laser

Function

Copying, Faxing, Network Scanning, Printing

Print Speed (A4, Black)

Up to 35 ppm

Print Speed (Letter, Black)

Up to 35 ppm

Print Speed (A4, Black) Duplex

Up to 35 ppm

Print Speed (Letter, Black) Duplex

Up to 35 ppm

Time to First Page (Black)

As fast as 5.5 seconds

Copy Speed (A4, Black)

Up to 35 cpm

Copy Speed (Letter, Black)

Up to 35 cpm

Time to First Copy (Black)

As fast as 7 seconds

Print Resolution, Black

1200 x 1200 dpi

2400 Image Quality

600 x 600 dpi

Scanning Resolution

600 X 600 dpi, 600 X 300 dpi (colour)

Processor

625 MHz

Memory, Standard

256 MB

Memory, Maximum

768 MB

Expandable Memory Options

Yes

Apple Macintosh Operating Systems Supported

Mac OS X, Mac OS 9.x

Citrix MetaFrame

Microsoft Windows Server 2003 running Terminal Services with Citrix MetaFrame XP Presentation Server or Citrix MetaFrame Presentation Server 3.0, Microsoft Windows Server 2003 running Terminal Services with Citrix Presentation Server 4.0, Microsoft Windows Server 2003 x64 running Terminal Services with Citrix Presentation Server 4.0, Microsoft Windows 2000 Server running Terminal Services with Citrix Presentation Server 3.0, 4.0

Linux Operating Systems Supported

Red Flag Linux Desktop 4.0, 5.0, Linpus Linux Desktop 9.2, 9.3, Red Hat Enterprise Linux WS 3.0, 4.0, 5.0, SUSE Linux Enterprise Server 8.0, 9.0, 10.0, SUSE Linux Professional 9.1, 9.2, 9.3, Debian GNU/Linux 3.1, 4.0, Linspire Linux 5.0

Microsoft Windows Operating Systems Supported

2000, XP, Server 2003, XP x64, Server 2003 running Terminal Services, 2000 Server running Terminal Services, Server 2003 x64, Server 2003 x64 running Terminal Services, Vista, Vista x64

Novell Operating Systems Supported

Open Enterprise Server for Netware with NDS, iPrint or Novell Distributed Print Services (NDPS), NetWare® 3.2, 4.2 (bindery), NetWare 4.2, 5.x and 6.x (NDS), NetWare 5.x, 6.x with iPrint or Novell Distributed Print Services (NDPS)

UNIX Operating Systems Supported

Sun Solaris SPARC 8, 9, 10, HP-UX 11.00, 11.1, IBM AIX 5.1, 5.2, 5.3, Sun Solaris x86 10

Other Operating Systems Supported

IBM iSeries or IBM AS/400® Systems with TCP/IP with OS/400® V3R1 or later using OS/400 Host Print Transform, Virtually any platform supporting TCP/IP

Paper Handling Standard

500-Sheet Output Bin, Duplex Unit, Two 500-Sheet Trays, 100-Sheet Multipurpose Feeder

Paper Handling Optional

2,000-Sheet High-capacity Feeder, 2,000-Sheet Dual Input, 2 x 500-Sheet Drawer, 3,500-Sheet Finisher, Booklet Finisher

Paper Input Capacity, Standard

1100 pages 20 lb or 75 gsm bond

Paper Input Capacity, Maximum

5100 pages 20 lb or 75 gsm bond

Paper Output Capacity, Standard

500 pages 20 lb or 75 gsm bond

Paper Output Capacity, Maximum

3800 pages 20 lb or 75 gsm bond

ADF Paper Input Capacity

Up to 75 pages 20 lb or 75 gsm bond

Envelope Capacity

10

Finishing Option

Yes

Number of Paper Inputs, Standard

3

Number of Paper Inputs, Maximum

6

Media Types Supported

Card Stock, Envelopes, Paper Labels, Plain Paper, Transparencies, Refer to the Card Stock & Label Guide

Media Sizes Supported

10 Envelope, 7 3/4 Envelope, A3, A4, A5, C5 Envelope, DL Envelope, Executive, Folio, JIS-B4, JIS-B5, Ledger, Legal, Letter, Statement, Universal

Connectivity (standard)

Centronics IEEE 1284 Bidirectional Parallel, Fast Ethernet, One Internal Card Slot, USB Compatible with USB 2.0 Specification, USB Direct interface on Operator Panel, USB port (Type A) compatible with USB 2.0 Specification

Connectivity (optional)

Lexmark N4050e 802.11g Wireless Print Server (Print Only), Internal MarkNet™ N8020 Gigabit Ethernet, Internal MarkNet™ N8050 802.11g Wireless, Internal

MarkNet™ N8030 Fiber Fast Ethernet

Network Printing Methods

LPR/LPD, Direct IP (Port 9100), Socket (Raw TCP/IP), IPP (Internet Printing Protocol), HTTP, NDS Queue-based Printing, NDPS/NEPS (Novell Distributed Print Services, Novell Network Enterprise Print Services), Enhanced IP (Port 9400), FTP, TFTP

Network Protocol Support

TCP/IP IPv4, IPX/SPX, AppleTalk™, LexLink (LCL), TCP/IP IPv6

Network Security

SSL Enabled Embedded Web Server (HTTPS), SNMPv3, TCP/IP port access control, Authenticated and encrypted MarkVision Professional communication, 802.1x Authentication: MDS, MSCHAPv2, LEAP, PEAP, TLS, TTLS, IPsec, *This product includes software developed by the OpenSSL Project for use in the OpenSSL Toolkit.

Printable Area

4 mm of the top, bottom, right and left edges (within)

Printable Area

0.157 inches of the top, bottom, right and left edges (within)

Printer Languages (Standard)

PCL 5e Emulation, PCL 6 Emulation, PPDS, PostScript 3 Emulation, PDF 1.5 Emulation, xHTML

Reduce / Enlarge Range

25 - 400 %

Scan Area, Maximum

297 x 432 mm

Scan Area, Maximum

11.7 x 17 inches

Modem Speed

33.6 Kbps

Supplies Yield

Average standard page yield value declared in accordance with ISO/IEC 19752., 30,000 page Toner Cartridge, 48,000-page Photoconductor Unit

Packaged Size (mm - H x W x D)

1045 x 875 x 835 mm

Packaged Size (in. - H x W x D)

41.14 x 34.45 x 32.87 in.

Size (mm - H x W x D)

803 x 640 x 700 mm

Size (in. - H x W x D)

31.5 x 25 x 25.5 in.

Weight (kg)

75.7 kg

Weight (lb.)

166.8 lb.

Acoustics/Noise level (Idle mode)

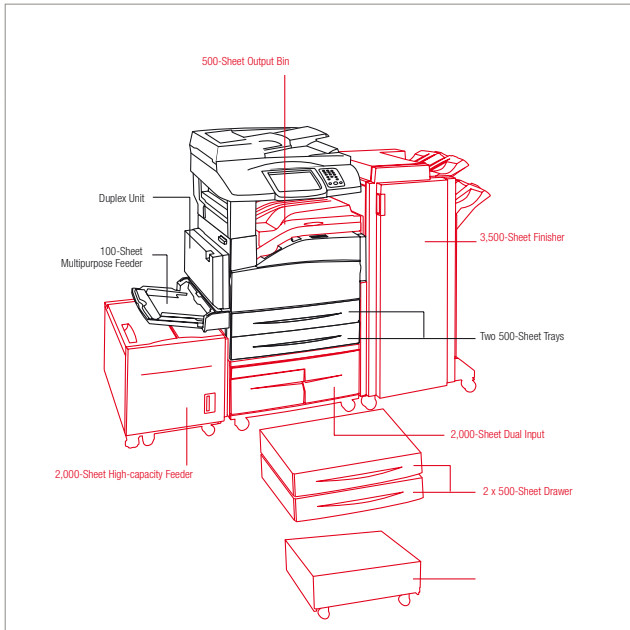
32 dBA

Acoustics/Noise level (Operating mode)

52 dBA

Copy Noise Level, Operating

56 dBA



MULTIFUNCTION

Scan Noise Level, Operating

54 dBA

Product Guarantee

1-Year or 600,000 impressions - Onsite Repair

Product Certifications

Energy Star, CSA, ICES Class A, BSMI Class A, VCCI Class A, FCC Class A, UL 60950-1, IEC 320-1, ECMA-74, CE Class A, CB IEC 60950-1, IEC 61000-3-2 and -3-3, EN 55022, EN 55024, CISPIR 22 Class A, GS (TÜV)-EN 60950-1, SEMKO, UL AR, CS, TÜV Rh, N Mark, C-tick Class A, CCC Class A, RPC, PSB, MIC, EK - K60950

Specified Operating Environment

Temperature: 16 to 32°C (60 to 90°F), Humidity: 8 to 80% Relative Humidity, Altitude: 0 - 3048 Meters (10,000 Feet)

Part #	Model
0015R0701	Lexmark X850e VE4

Part #	Laser Toner/Print Cartridge
0X850H21G	X850e Toner Cartridge (30K)
0X850H22G	X850e, X852e and X854e Photoconductor Kit
0025A0013	Staple Cartridges (3 pack)
0021Z0357	Saddle Staple Cartridges (4 pack)

Part #	Paper & Transparencies
0012A5010	Lexmark Laser Printers - A4 Transparency

Part #	Paper Handling
0015R0146	W840 2 x 500-Sheet Drawer
0015R0120	W840 2000-Sheet Dual Input
0015R0145	X850e, X852e, X854e, W840 High Capacity Feeder
0015R0144	X850e, X852e, X854e, W840 Finisher (2 / 3-Hole)
0015R0143	X850e, X852e, X854e, W840 Finisher (2 / 4-Hole)
0015R0336	X850e, X852e, X854e Booklet Finisher (2/4-Hole)

Part #	Flash, SDRAM Memory
0013N1523	128MB DDR-DRAM
0013N1524	256MB DDR-DRAM
0013N1526	512MB DDR-DRAM
001021208	32MB Flash Card
001021209	64MB Flash Card
001021243	Japanese Font Card
001021240	Korean Font Card
001021241	Simplified Chinese Font Card
001021242	Traditional Chinese Font Card

Part #	Application Cards / SIMMs
0015R0092	X850e, X852e, X854e Card for IPDS/SCS/TNe
0015R0091	X850e, X852e, X854e Bar Code Card
0015R0095	X850e, X852e, X854e Card for PRESCRIBE Emulation
0015R0094	X850e, X852e, X854e Forms Card
0015R0093	Lexmark Print/Cryption Card for the Lexmark X850e, X852e, X854e

Part #	Connectivity
001021294	USB (2 Meter) Cable
001021231	Parallel (10') Cable
001021091	Parallel 1284-B Interface Card
001021092	RS-232C Serial Interface Card
0014T0155	Lexmark N4050e 802.11g Wireless Print Server
0014S0200	MarkNet N8020 GigaBit Ethernet Print Server
0014S0220	MarkNet N8030 Fiber Ethernet 100BaseFX, 10BaseFL
0014S0210	MarkNet N8050 802.11g Wireless Print Server
0014T0220	MarkNet™ N7020e Gigabit Ethernet Print Server

Part #	Extended Warranties
002348408	1 year Extended OnSite Repair or 600,000 pages

002348409	2 Years OnSite Repair Extended or 1.2 million pages
002348410	3 Years Extended OnSite Repair or 1.8 million pages
002348412	1 year Renewal OnSite Repair or 600,000 pages

Part #	User Replaceable Parts
0040X2375	X850e, X852e, X854e Fuser Maintenance Kit LV
0040X2376	X850e, X852e, X854e Fuser Maintenance Kit HV

Part #	Service Parts
0040X2734	X850e, X852e, X854e ADF Maintenance Kit



Lexmark X852e MFP

Greater possibilities to streamline your workflow!

Print Technology

Monochrome Laser

Function

Copying, Faxing, Network Scanning, Printing

Print Speed (A4, Black)

Up to 45 ppm

Print Speed (Letter, Black)

Up to 45 ppm

Print Speed (A4, Black) Duplex

Up to 45 ppm

Print Speed (Letter, Black) Duplex

Up to 45 ppm

Time to First Page (Black)

As fast as 5 seconds

Copy Speed (A4, Black)

Up to 45 cpm

Copy Speed (Letter, Black)

Up to 45 cpm

Time to First Copy (Black)

As fast as 7 seconds

Print Resolution, Black

1200 x 1200 dpi

2400 Image Quality

600 x 600 dpi

Scanning Resolution

600 X 600 dpi, 600 X 300 dpi (colour)

Processor

625 MHz

Memory, Standard

256 MB

Memory, Maximum

768 MB

Expandable Memory Options

Yes

Apple Macintosh Operating Systems Supported

Mac OS X, Mac OS 9.x

Citrix MetaFrame

Microsoft Windows 2000 Server running Terminal Services with Citrix MetaFrame XP Presentation Server or Citrix MetaFrame Presentation Server 3.0., Microsoft Windows Server 2003 running Terminal Services with Citrix MetaFrame XP Presentation Server or Citrix MetaFrame Presentation Server 3.0, Microsoft Windows 2000 Server running Terminal Services with Citrix Presentation Server 4.0, Microsoft Windows Server 2003 running Terminal Services with Citrix Presentation Server 4.0, Microsoft Windows Server 2003 running Terminal Services with Citrix Presentation Server 4.0, Microsoft Windows Server 2003 x64 running Terminal Services with Citrix Presentation Server 4.0

Linux Operating Systems Supported

Red Flag Linux Desktop 4.0, 5.0, Linpus Linux Desktop 9.2, 9.3, Red Hat Enterprise Linux WS 3.0, 4.0, 5.0, SUSE Linux Enterprise Server 8.0, 9.0, 10.0, SUSE Linux Professional 9.1, 9.2, 9.3, Debian GNU/Linux 3.1, 4.0, Linspire Linux 5.0

Microsoft Windows Operating Systems Supported

2000, NT (4.0/4.0 Server), Me, XP, Server 2003, 98 2nd Edition, XP x64, Server 2003 running Terminal Services, 2000 Server running Terminal Services, Server

2003 x64, Server 2003 x64 running Terminal Services, Vista, Vista x64

Novell Operating Systems Supported

Open Enterprise Server for Netware with NDS, iPrint or Novell Distributed Print Services (NDPS), NetWare® 3.2, 4.2 (bindery), NetWare 4.2, 5.x and 6.x (NDS), NetWare 5.x, 6.x with iPrint or Novell Distributed Print Services (NDPS)

UNIX Operating Systems Supported

Sun Solaris SPARC 8, 9, 10, HP-UX 11.00, 11.1, IBM AIX 5.1, 5.2, 5.3, Sun Solaris x86 10

Other Operating Systems Supported

IBM iSeries or IBM AS/400® Systems with TCP/IP with OS/400® V3R1 or later using OS/400 Host Print Transform, Virtually any platform supporting TCP/IP

Paper Handling Standard

500-Sheet Output Bin, Duplex Unit, Two 500-Sheet Trays, 100-Sheet Multipurpose Feeder, 2,000-Sheet Dual Input

Paper Handling Optional

2,000-Sheet High-capacity Feeder, 3,500-Sheet Finisher, Booklet Finisher

Paper Input Capacity, Standard

3100 pages 20 lb or 75 gsm bond

Paper Input Capacity, Maximum

5100 pages 20 lb or 75 gsm bond

Paper Output Capacity, Standard

500 pages 20 lb or 75 gsm bond

Paper Output Capacity, Maximum

3800 pages 20 lb or 75 gsm bond

ADF Paper Input Capacity

Up to 75 pages 20 lb or 75 gsm bond

Envelope Capacity

10

Finishing Option

Yes

Number of Paper Inputs, Standard

5

Number of Paper Inputs, Maximum

6

Media Types Supported

Card Stock, Envelopes, Paper Labels, Plain Paper, Transparencies, Refer to the Card Stock & Label Guide

Media Sizes Supported

10 Envelope, 7 3/4 Envelope, A3, A4, A5, C5 Envelope, DL Envelope, Executive, Folio, JIS-B4, JIS-B5, Ledger, Legal, Letter, Statement, Universal

Connectivity (standard)

Centronics IEEE 1284 Bidirectional Parallel, Fast Ethernet, One Internal Card Slot, USB Compatible with USB 2.0 Specification, USB Direct interface on Operator Panel, USB port (Type A) compatible with USB 2.0 Specification

Connectivity (optional)

Lexmark N4050e 802.11g Wireless Print Server (Print Only), Internal MarkNet™ N8020 Gigabit Ethernet,

Internal MarkNet™ N8050 802.11g Wireless, Internal MarkNet™ N8030 Fiber Fast Ethernet

Network Printing Methods

LPR/LPD, Direct IP (Port 9100), Socket (Raw TCP/IP), IPP (Internet Printing Protocol), HTTP, NDS Queue-based Printing, NDPS/NEPS (Novell Distributed Print Services, Novell Network Enterprise Print Services), Enhanced IP (Port 9400), FTP, TFTP

Network Protocol Support

TCP/IP IPv4, IPX/SPX, AppleTalk™, LexLink (DLC), TCP/IP IPv6

Network Security

SSL* Enabled Embedded Web Server (HTTPS), SNMPv3, TCP/IP port access control, Authenticated and encrypted MarkVision Professional communication, 802.1x Authentication: MDS, MSCHAPv2, LEAP, PEAP, TLS, TTLS, IPsec, *This product includes software developed by the OpenSSL Project for use in the OpenSSL Toolkit.

Printable Area

4 mm of the top, bottom, right and left edges (within)

Printable Area

0.157 inches of the top, bottom, right and left edges (within)

Printer Languages (Standard)

PCL 5e Emulation, PCL 6 Emulation, PPDS, PostScript 3 Emulation, PDF 1.5 Emulation, xHTML

Reduce / Enlarge Range

25 - 400 %

Scan Area, Maximum

297 x 432 mm

Scan Area, Maximum

11.7 x 17 inches

Modem Speed

33.6 Kbps

Supplies Yield

Average standard page yield value declared in accordance with ISO/IEC 19752., 60,000-page Photoconductor Unit, 30,000-page Toner Cartridge

Packaged Size (mm - H x W x D)

1380 x 890 x 850 mm

Packaged Size (in. - H x W x D)

54.3 x 35 x 33.5 in.

Size (mm - H x W x D)

1095 x 640 x 700 mm

Size (in. - H x W x D)

43 x 25 x 25.5 in.

Weight (kg)

105.7 kg

Weight (lb.)

233 lb.

Acoustics/Noise level (Idle mode)

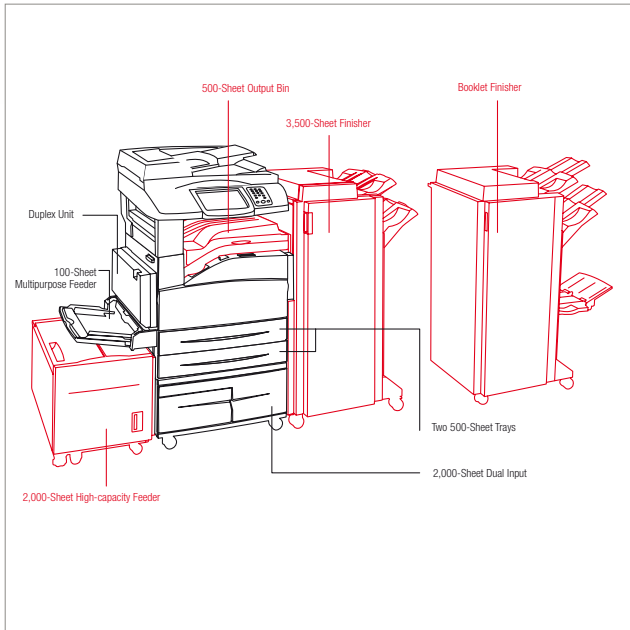
32 dBA

Acoustics/Noise level (Operating mode)

53 dBA

Copy Noise Level, Operating

56 dBA



Paper Handling Standard
 Paper Handling Optional

Scan Noise Level, Operating

54 dBA

Product Guarantee

One year on site repair next business day response time or 600,000 impressions

Product Certifications

Energy Star, CSA, ICES Class A, BSMI Class A, VCCI Class A, FCC Class A, UL 60950-1, IEC 320-1, ECMA-74, CE Class A, CB IEC 60950 1, IEC 61000-3-2, -3-3, EN 55022, EN 55024, CISPIR 22 Class A, GS (TÜV)-EN 60950-1, SEMKO, UL AR, CS, TÜV Rh, N Mark, C-tick Class A, CCC Class A, RPC, PSB, MIC, EK - K60950

Specified Operating Environment

Temperature: 16 to 32°C (60 to 90°F), Humidity: 8 to 80% Relative Humidity, Altitude: 0 - 3048 Meters (10,000 Feet)

Part # Model

0015R0100 Lexmark X852e MFP

Part # Laser Toner/Print Cartridge

0X850H21G X85xe Toner Cartridge (30K)
 0X850H22G X850e, X852e and X854e Photoconductor Kit
 0025A0013 Staple Cartridges (3 pack)
 0021Z0357 Saddle Staple Cartridges (4 pack)

Part # Paper & Transparencies

0012A5010 Lexmark Laser Printers - A4 Transparency

Part # Paper Handling

0015R0145 X850e, X852e, X854e, W840 High Capacity Feeder
 0015R0144 X850e, X852e, X854e, W840 Finisher (2 / 3-Hole)
 0015R0143 X850e, X852e, X854e, W840 Finisher (2 / 4-Hole)
 0015R0336 X850e, X852e, X854e Booklet Finisher (2/4-Hole)

Part # Flash, SDRAM Memory

0013N1523 128MB DDR-DRAM
 0013N1524 256MB DDR-DRAM
 0013N1526 512MB DDR-DRAM
 001021208 32MB Flash Card
 001021209 64MB Flash Card
 001021243 Japanese Font Card
 001021240 Korean Font Card
 001021241 Simplified Chinese Font Card
 001021242 Traditional Chinese Font Card

Part # Application Cards / SIMMS

0015R0092 X850e, X852e, X854e Card for IPDS/SCS/TNE
 0015R0091 X850e, X852e, X854e Bar Code Card
 0015R0095 X850e, X852e, X854e Card for PRESCRIBE Emulation
 0015R0094 X850e, X852e, X854e Forms Card
 0015R0093 Lexmark PrintCryption Card for the Lexmark X850e, X852e, X854e

Part # Connectivity

001021294 USB (2 Meter) Cable
 001021231 Parallel (10') Cable
 001021091 Parallel 1284-B Interface Card
 001021092 RS-232C Serial Interface Card
 0014T0155 Lexmark N4050e 802.11g Wireless Print Server
 0014S0200 MarkNet N8020 GigaBit Ethernet Print Server
 0014S0220 MarkNet N8030 Fiber Ethernet 100BaseFX, 10BaseFL
 0014S0210 MarkNet N8050 802.11g Wireless Print Server
 0014T0220 MarkNet™ N7020e Gigabit Ethernet Print Server

Part # Extended Warranties

002348421 1 Year Extended OnSite Repair or 600,000 pages
 002348422 2 Years OnSite Repair Extended or 1.2 million pages

002348423 3 Years Extended OnSite Repair or 1.8 million pages
 002348425 1 Year Renewal OnSite Repair or 600,000 pages

Part # User Replaceable Parts

0040X2375 X850e, X852e, X854e Fuser Maintenance Kit LV
 0040X2376 X850e, X852e, X854e Fuser Maintenance Kit HV

Part # Service Parts

0040X2734 X850e, X852e, X854e ADF Maintenance Kit

MULTIFUNCTION



Lexmark X854e MFP

A complete solution for your heaviest departmental needs!

Print Technology

Monochrome Laser

Function

Copying, Faxing, Network Scanning, Printing

Print Speed (A4, Black)

Up to 55 ppm

Print Speed (Letter, Black)

Up to 55 ppm

Print Speed (A4, Black) Duplex

Up to 50 spm

Print Speed (Letter, Black) Duplex

Up to 50 spm

Time to First Page (Black)

As fast as 5 seconds

Copy Speed (A4, Black)

Up to 55 cpm

Copy Speed (Letter, Black)

Up to 55 cpm

Time to First Copy (Black)

As fast as 7 seconds

Print Resolution, Black

1200 x 1200 dpi

2400 Image Quality

600 x 600 dpi

Scanning Resolution

600 X 600 dpi, 600 X 300 dpi (colour)

Processor

625 MHz

Memory, Standard

256 MB

Memory, Maximum

768 MB

Expandable Memory Options

Yes

Apple Macintosh Operating Systems Supported

Mac OS X, Mac OS 9.x

Citrix MetaFrame

Microsoft Windows 2000 Server running Terminal Services with Citrix MetaFrame XP Presentation Server or Citrix MetaFrame Presentation Server 3.0., Microsoft Windows Server 2003 running Terminal Services with Citrix MetaFrame XP Presentation Server or Citrix MetaFrame Presentation Server 3.0, Microsoft Windows 2000 Server running Terminal Services with Citrix Presentation Server 4.0, Microsoft Windows Server 2003 running Terminal Services with Citrix Presentation Server 4.0, Microsoft Windows Server 2003 running Terminal Services with Citrix Presentation Server 4.0, Microsoft Windows Server 2003 x64 running Terminal Services with Citrix Presentation Server 4.0

Linux Operating Systems Supported

Red Flag Linux Desktop 4.0, 5.0, Linpus Linux Desktop 9.2, 9.3, Red Hat Enterprise Linux WS 3.0, 4.0, 5.0, SUSE Linux Enterprise Server 8.0, 9.0, 10.0, SUSE Linux Professional 9.1, 9.2, 9.3, Debian GNU/Linux 3.1, 4.0, Linspire Linux 5.0

Microsoft Windows Operating Systems Supported

2000, NT (4.0/4.0 Server), Me, XP, Server 2003, 98 2nd Edition, XP x64, Server 2003 running Terminal Services, 2000 Server running Terminal Services, Server

2003 x64, Server 2003 x64 running Terminal Services, Vista, Vista x64

Novell Operating Systems Supported

Open Enterprise Server for Netware with NDS, iPrint or Novell Distributed Print Services (NDPS), NetWare® 3.2, 4.2 (bindery), NetWare 4.2, 5.x and 6.x (NDS), NetWare 5.x, 6.x with iPrint or Novell Distributed Print Services (NDPS)

UNIX Operating Systems Supported

Sun Solaris SPARC 8, 9, 10, HP-UX 11.00, 11.1, IBM AIX 5.1, 5.2, 5.3, Sun Solaris x86 10

Other Operating Systems Supported

IBM iSeries or IBM AS/400® Systems with TCP/IP with OS/400® V3R1 or later using OS/400 Host Print Transform, Virtually any platform supporting TCP/IP

Paper Handling Standard

500-Sheet Output Bin, Duplex Unit, Two 500-Sheet Trays, 100-Sheet Multipurpose Feeder, 2,000-Sheet Dual Input

Paper Handling Optional

2,000-Sheet High-capacity Feeder, 3,500-Sheet Finisher, Booklet Finisher

Paper Input Capacity, Standard

3100 pages 20 lb or 75 gsm bond

Paper Input Capacity, Maximum

5100 pages 20 lb or 75 gsm bond

Paper Output Capacity, Standard

500 pages 20 lb or 75 gsm bond

Paper Output Capacity, Maximum

3800 pages 20 lb or 75 gsm bond

ADF Paper Input Capacity

Up to 75 pages 20 lb or 75 gsm bond

Envelope Capacity

10

Finishing Option

Yes

Number of Paper Inputs, Standard

5

Number of Paper Inputs, Maximum

6

Media Types Supported

Card Stock, Envelopes, Paper Labels, Plain Paper, Transparencies, Refer to the Card Stock & Label Guide

Media Sizes Supported

10 Envelope, 7 3/4 Envelope, A3, A4, A5, C5 Envelope, DL Envelope, Executive, Folio, JIS-B4, JIS-B5, Ledger, Legal, Letter, Statement, Universal

Connectivity (standard)

Centronics IEEE 1284 Bidirectional Parallel, Fast Ethernet, One Internal Card Slot, USB Compatible with USB 2.0 Specification, USB Direct interface on Operator Panel, USB port (Type A) compatible with USB 2.0 Specification

Connectivity (optional)

Lexmark N4050e 802.11g Wireless Print Server (Print Only), Internal MarkNet™ N8020 Gigabit Ethernet,

Internal MarkNet™ N8050 802.11g Wireless, Internal MarkNet™ N8030 Fiber Fast Ethernet

Network Printing Methods

LPR/LPD, Direct IP (Port 9100), Socket (Raw TCP/IP), IPP (Internet Printing Protocol), HTTP, NDS Queue-based Printing, NDPS/NEPS (Novell Distributed Print Services, Novell Network Enterprise Print Services), Enhanced IP (Port 9400), FTP, TFTP

Network Protocol Support

TCP/IP IPv4, IPX/SPX, AppleTalk™, LexLink (DLC), TCP/IP IPv6

Network Security

SSL* Enabled Embedded Web Server (HTTPS), SNMPv3, TCP/IP port access control, Authenticated and encrypted MarkVision Professional communication, 802.1x Authentication: MDS, MSCHAPv2, LEAP, PEAP, TLS, TTLS, IPsec, *This product includes software developed by the OpenSSL Project for use in the OpenSSL Toolkit.

Printable Area

4 mm of the top, bottom, right and left edges (within)

Printable Area

0.157 inches of the top, bottom, right and left edges (within)

Printer Languages (Standard)

PCL 5e Emulation, PCL 6 Emulation, PPDS, PostScript 3 Emulation, PDF 1.5 Emulation, xHTML

Reduce / Enlarge Range

25 - 400 %

Scan Area, Maximum

297 x 432 mm

Scan Area, Maximum

11.7 x 17 inches

Modem Speed

33.6 Kbps

Supplies Yield

Average standard page yield value declared in accordance with ISO/IEC 19752., 30,000-page Toner Cartridge, 70,000-page Photoconductor Unit

Packaged Size (mm - H x W x D)

1380 x 890 x 850 mm

Packaged Size (in. - H x W x D)

54.3 x 35 x 33.5 in.

Size (mm - H x W x D)

1095 x 640 x 700 mm

Size (in. - H x W x D)

43 x 25 x 25.5 in.

Weight (kg)

105.7 kg

Weight (lb.)

233 lb.

Acoustics/Noise level (Idle mode)

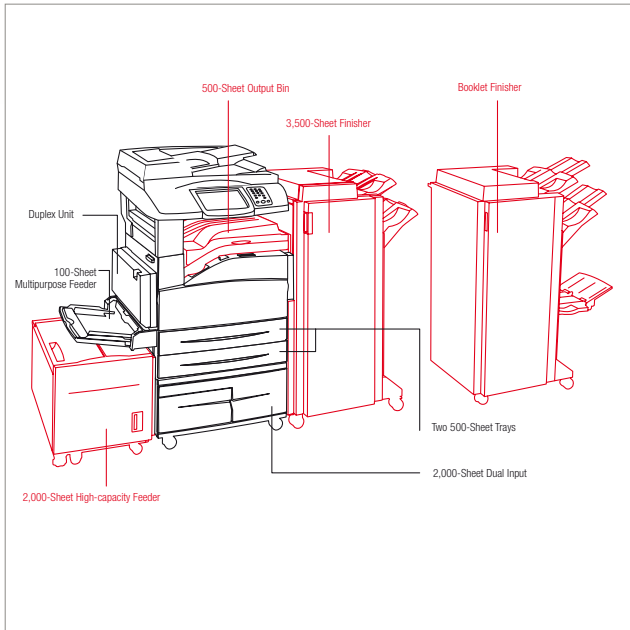
32 dBA

Acoustics/Noise level (Operating mode)

53 dBA

Copy Noise Level, Operating

56 dBA



Paper Handling Standard
 Paper Handling Optional

Scan Noise Level, Operating

54 dBA

Product Guarantee

One year on site repair next business day response time or 600,000 impressions

Product Certifications

Energy Star, CSA, ICES Class A, BSMI Class A, VCCI Class A, FCC Class A, UL 60950-1, IEC 320-1, ECMA-74, CE Class A, CB IEC 60950 1, IEC 61000-3-2, -3-3, EN 55022, EN 55024, CISPIR 22 Class A, GS (TÜV)-EN 60950-1, SEMKO, UL AR, CS, TÜV Rh, N Mark, C-tick Class A, CCC Class A, RPC, PSB, MIC, EK - K60950

Specified Operating Environment

Temperature: 16 to 32°C (60 to 90°F), Humidity: 8 to 80% Relative Humidity, Altitude: 0 - 3048 Meters (10,000 Feet)

Part #	Model
0015R0150	Lexmark X854e MFP

Part #	Laser Toner/Print Cartridge
0X850H21G	X85xe Toner Cartridge (30K)
0X850H22G	X850e, X852e and X854e Photoconductor Kit
0025A0013	Staple Cartridges (3 pack)
0021Z0357	Saddle Staple Cartridges (4 pack)

Part #	Paper & Transparencies
0012A5010	Lexmark Laser Printers - A4 Transparency

Part #	Paper Handling
0015R0145	X850e, X852e, X854e, W840 High Capacity Feeder
0015R0144	X850e, X852e, X854e, W840 Finisher (2 / 3-Hole)
0015R0143	X850e, X852e, X854e, W840 Finisher (2 / 4-Hole)
0015R0336	X850e, X852e, X854e Booklet Finisher (2/4-Hole)

Part #	Flash, SDRAM Memory
0013N1523	128MB DDR-DRAM
0013N1524	256MB DDR-DRAM
0013N1526	512MB DDR-DRAM
001021208	32MB Flash Card
001021209	64MB Flash Card
001021243	Japanese Font Card
001021240	Korean Font Card
001021241	Simplified Chinese Font Card
001021242	Traditional Chinese Font Card

Part #	Application Cards / SIMMS
0015R0092	X850e, X852e, X854e Card for IPDS/SCS/TNE
0015R0091	X850e, X852e, X854e Bar Code Card
0015R0095	X850e, X852e, X854e Card for PRESCRIBE Emulation
0015R0094	X850e, X852e, X854e Forms Card
0015R0093	Lexmark PrintCryption Card for the Lexmark X850e, X852e, X854e

Part #	Connectivity
001021294	USB (2 Meter) Cable
001021231	Parallel (10') Cable
001021091	Parallel 1284-B Interface Card
001021092	RS-232C Serial Interface Card
0014T0155	Lexmark N4050e 802.11g Wireless Print Server
0014S0200	MarkNet N8020 GigaBit Ethernet Print Server
0014S0220	MarkNet N8030 Fiber Ethernet 100BaseFX, 10BaseFL
0014S0210	MarkNet N8050 802.11g Wireless Print Server
0014T0220	MarkNet™ N7020e Gigabit Ethernet Print Server

Part #	Extended Warranties
002348434	1 Year OnSite Repair Extended or 600,000 pages
002348435	2 Years OnSite Repair Extended or 1.2 million pages

002348436	3 Years OnSite Repair Extended or 1.8 million pages
002348438	1 Year Renewal OnSite Repair or 600,000 pages

Part #	User Replaceable Parts
0040X2375	X850e, X852e, X854e Fuser Maintenance Kit LV
0040X2376	X850e, X852e, X854e Fuser Maintenance Kit HV

Part #	Service Parts
0040X2734	X850e, X852e, X854e ADF Maintenance Kit

MULTIFUNCTION



Lexmark X940e

Competitive colour MFP for all your wide-format needs

Print Technology

Color Laser

Function

Color Copying, Color Printing, Faxing, Color Network Scanning

Print Speed (A4, Black)

Up to 40 ppm

Print Speed (A4, Colour)

Up to 30 ppm

Print Speed (Letter, Black)

Up to 40 ppm

Print Speed (Letter, Colour)

Up to 30 ppm

Print Speed (A4, Black) Duplex

Up to 37 spm

Print Speed (Letter, Black) Duplex

Up to 37 spm

Time to First Page (Black)

As fast as 5 seconds

Time to First Page (Colour)

As fast as 10 seconds

Copy Speed (A4, Black)

Up to 40 cpm

Copy Speed (Letter, Black)

Up to 40 cpm

Time to First Copy (Black)

As fast as 6.7 seconds

Print Resolution, Black

2400 Image Quality

Print Resolution, Colour

2400 Image Quality

Scanning Resolution

600 X 300 dpi (colour), 600 X 600 dpi (mono)

Memory, Standard

512 MB

Memory, Maximum

1,024 MB

Expandable Memory Options

Yes

Apple Macintosh Operating Systems Supported

Mac OS X, Mac OS 9.x, Mac OS X (10.4 Intel), Mac OS X (10.4 Power PC)

Citrix MetaFrame

Microsoft Windows 2000 Server running Terminal Services with Citrix MetaFrame XP Presentation Server or Citrix MetaFrame Presentation Server 3.0., Microsoft Windows Server 2003 running Terminal Services with Citrix MetaFrame XP Presentation Server or Citrix MetaFrame Presentation Server 3.0, Microsoft Windows 2000 Server running Terminal Services with Citrix Presentation Server 4.0, Microsoft Windows Server 2003 running Terminal Services with Citrix Presentation Server 4.0, Microsoft Windows Server 2003 x64 running Terminal Services with Citrix Presentation Server 4.0

Linux Operating Systems Supported

Red Flag Linux Desktop 4.0, 5.0, Linpus Linux Desktop 9.2, 9.3, Red Hat Enterprise Linux WS 3.0, 4.0, 5.0, SUSE Linux Enterprise Server 8.0, 9.0, 10.0, SUSE Linux

Professional 9.1, 9.2, 9.3, Debian GNU/Linux 3.1, 4.0, Linspire Linux 5.0, SUSE Linux 10.0, 10.1, 10.2

Microsoft Windows Operating Systems Supported

2000, NT (4.00/4.00 Server), XP, Server 2003, XP x64, Server 2003 running Terminal Services, 2000 Server running Terminal Services, Server 2003 x64, Server 2003 x64 running Terminal Services, Vista, Vista x64

Novell Operating Systems Supported

Open Enterprise Server for Netware with NDS, iPrint or Novell Distributed Print Services (NDPS), NetWare® 3.2, 4.2 (bindery), NetWare 4.2, 5.x and 6.x (NDS), NetWare 5.x, 6.x with iPrint or Novell Distributed Print Services (NDPS)

UNIX Operating Systems Supported

Sun Solaris SPARC 8, 9, 10, HP-UX 11.00, 11.1, IBM AIX 5.1, 5.2, 5.3, Sun Solaris x86 10

Other Operating Systems Supported

IBM iSeries or IBM AS/400® Systems with TCP/IP with OS/400® V3R1 or later using OS/400 Host Print Transform, Virtually any platform supporting TCP/IP

Paper Handling Standard

Integrated Duplex, 100-Sheet Multipurpose Feeder, 520-Sheet Input Tray, 520-Sheet Drawer Stand with Cabinet

Paper Handling Optional

3,500-Sheet Finisher, Booklet Finisher

Paper Input Capacity, Standard

1140 pages 20 lb or 75 gsm bond

Paper Input Capacity, Maximum

1140 pages 20 lb or 75 gsm bond

Paper Output Capacity, Standard

400 pages 20 lb or 75 gsm bond

Paper Output Capacity, Maximum

3500 pages 20 lb or 75 gsm bond

ADF Paper Input Capacity

Up to 75 pages 20 lb or 75 gsm bond

Finishing Option

Yes

Number of Paper Inputs, Standard

3

Number of Paper Inputs, Maximum

3

Media Types Supported

Card Stock, Envelopes, Glossy paper, Paper Labels, Plain Paper, Transparencies, Refer to the Card Stock & Label Guide

Media Sizes Supported

10 Envelope, A3, A4, A5, C5 Envelope, DL Envelope, Executive, Folio, JIS-B4, JIS-B5, Ledger, Legal, Letter, Statement, Universal

Connectivity (standard)

One Internal Card Slot, USB Direct interface on Operator Panel, Gigabit Ethernet (10/100/1000), USB port (Type A) compatible with USB 2.0 Specification, Hi-Speed USB

Connectivity (optional)

Lexmark N4050e 802.11g Wireless Print Server (Print Only), Internal MarkNet™ N8050 802.11g Wireless, Internal MarkNet™ N8030 Fiber Fast Ethernet

Network Printing Methods

LPR/LPD, Direct IP (Port 9100), Socket (Raw TCP/IP), IPP (Internet Printing Protocol), HTTP, NDS Queue-based Printing, NDPS/NEPS (Novell Distributed Print Services), Novell NetWare Enterprise Print Services, Enhanced IP (Port 9400), FTP, TFTP, IPP 1.1 (Internet Printing Protocol)

Network Protocol Support

TCP/IP IPv4, IPX/SPX, AppleTalk™, LexLink (DLC), TCP/IP IPv6

Network Security

SSL* Enabled Embedded Web Server (HTTPS), SNMPv3, TCP/IP port access control, Authenticated and encrypted MarkVision Professional communication, 802.1x Authentication: MDS, MSCHAPv2, LEAP, PEAP, TLS, TTLS, IPsec, *This product includes software developed by the OpenSSL Project for use in the OpenSSL Toolkit.

Printable Area

4.0 mm of the top, bottom, right and left edges (within)

Printable Area

0.158 inches of the top, bottom, right and left edges (within)

Printer Languages (Standard)

PCL 5c Emulation, PCL 6 Emulation, PPDS, PostScript 3 Emulation, xHTML, PDF 1.6, Direct Image

Reduce / Enlarge Range

25 - 400 %

Scan Area, Maximum

297 x 432 mm

Scan Area, Maximum

11.7 x 17.0 inches

Modem Speed

33.6 Kbps

Supplies Yield

Average continuous black or continuous composite CMY declared cartridge yield up to this number of standard pages in accordance with ISO/IEC 19798. Ships with 13,000-page black and 12,000* page colour Toner Cartridges, 22,000*-page colour (CMY) Toner Cartridges, 36,000*-page Black Toner Cartridge

Packaged Size (mm - H x W x D)

1480 x 740 x 925 mm

Packaged Size (in. - H x W x D)

58.3 x 26.1 x 36.4 in.

Size (mm - H x W x D)

1153 x 660 x 810 mm

Size (in. - H x W x D)

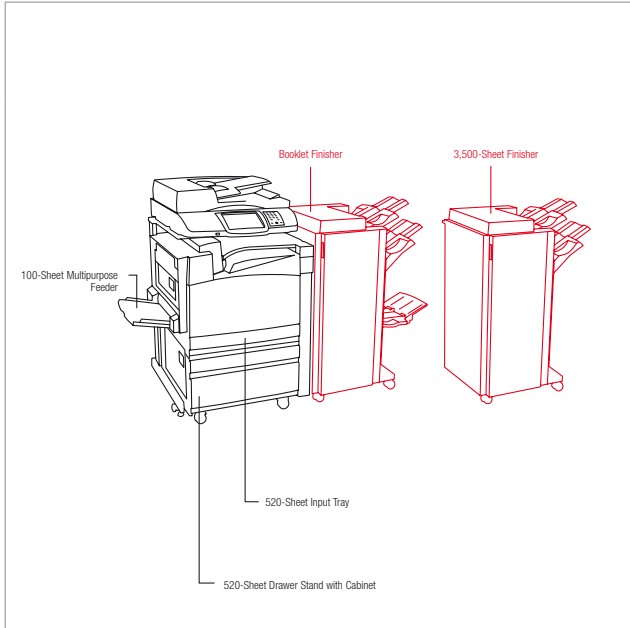
45.4 x 26 x 31.9 in.

Weight (kg)

173.7 kg

Weight (lb.)

383 lb.



Paper Handling Standard
 Paper Handling Optional

Acoustics/Noise level (Idle mode)

34 dBA

Acoustics/Noise level (Operating mode)

52 dBA

Copy Noise Level, Operating

53 dBA

Scan Noise Level, Operating

54 dBA

Product Guarantee

1-Year OnSite Repair

Product Certifications

Energy Star, CSA, ICES Class A, BSMI Class A, VCCI Class A, FCC Class A, UL 60950-1, IEC 60320, CE Class A, CB IEC 60950-1, IEC 60825-1, CISPR 22 Class A, GS (TUV), SEMKO, UL AR, CS, TÜV Rh, A-tick mark Class A, CCC Class A

Part #	Model
0021Z0200	Lexmark X940e

Part #	Laser Toner/Print Cartridge
0X945X2KG	X940e, X945e Black High Yield Toner Cartridge
0X945X2CG	X940e, X945e Cyan High Yield Toner Cartridge
0X945X2MG	X940e, X945e Magenta High Yield Toner Cartridge
0X945X2YG	X940e, X945e Yellow High Yield Toner Cartridge
0C930X73G	C935, X940e, X945e CMY Photoconductor Unit 3-Pack
0C930X72G	C935, X940e, X945e Black Photoconductor Unit 1-Pack
0C930X76G	C935, X940e, X945e Waste Toner Bottle
0025A0013	Staple Cartridges (3 pack)
0021Z0357	Saddle Staple Cartridges (4 pack)

Part #	Paper & Transparencies
0012A5951	Glossy Laser Paper, A4 (200)
0012A8241	Professional Colour Laser Transparencies, A4
0012A5950	Glossy Laser Paper, Letter (200)

Part #	Paper Handling
0021Z0310	C935, X940e, X945e 3500-Sheet Finisher (4-Hole)
0021Z0311	C935, X940e, X945e Booklet Finisher (4-Hole)

Part #	Flash, SDRAM Memory
0013N1523	128MB DDR-DRAM
0013N1524	256MB DDR-DRAM
0013N1526	512MB DDR-DRAM
001021208	32MB Flash Card
001021209	64MB Flash Card
001021243	Japanese Font Card
001021240	Korean Font Card
001021241	Simplified Chinese Font Card
001021242	Traditional Chinese Font Card

Part #	Application Cards / SIMMs
0021Z0368	X940e, X945e Card for IPDS and SCS/TNe
0021Z0370	Lexmark Print/Cryption Card for the Lexmark X940e, X945e
0021Z0367	X940e, X945e Bar Code and Forms Card

Part #	Connectivity
001021231	Parallel (10') Cable
001021294	USB (2 Meter) Cable
001021092	RS-232C Serial Interface Card
001021091	Parallel 1284-B Interface Card
0014T0155	Lexmark N4050e 802.11g Wireless Print Server
0014S0210	MarkNet N8050 802.11g Wireless Print Server
0014S0220	MarkNet N8030 Fiber Ethernet 100BaseFX, 10BaseFL
0014T0220	MarkNet™ N7020e Gigabit Ethernet Print Server

Part #	Extended Warranties
002349452	1 Year OnSite Repair Extended Guarantee

002349453	2 Year OnSite Repair Extended Guarantee
002349454	3 Year OnSite Repair Extended Guarantee
002349456	1 Year Renewal OnSite Repair Guarantee

Part #	Service Parts
0040X4031	C935, X940e, X945e Maintenance Kit, 100K, 110V
0040X4093	C935, X940e, X945e Maintenance Kit, 100K, 220V
0040X4032	C935, X940e, X945e Maintenance Kit, 600K
0040X4033	X940e, X945e ADF Maintenance Kit

MULTIFUNCTION



Lexmark X945e

Wide-format colour MFP ideal for high-volume printing

Print Technology

Color Laser

Function

Color Copying, Color Printing, Faxing, Color Network Scanning

Print Speed (A4, Black)

Up to 45 ppm

Print Speed (A4, Colour)

Up to 40 ppm

Print Speed (Letter, Black)

Up to 45 ppm

Print Speed (Letter, Colour)

Up to 40 ppm

Print Speed (A4, Black) Duplex

Up to 37 spm

Print Speed (Letter, Black) Duplex

Up to 37 spm

Time to First Page (Black)

As fast as 5.2 seconds

Time to First Page (Colour)

As fast as 10 seconds

Copy Speed (A4, Black)

Up to 45 cpm

Copy Speed (Letter, Black)

Up to 45 cpm

Time to First Copy (Black)

As fast as 6.7 seconds

Print Resolution, Black

2400 Image Quality

Print Resolution, Colour

2400 Image Quality

Scanning Resolution

600 X 300 dpi (colour), 600 X 600 dpi (mono)

Memory, Standard

512 MB

Memory, Maximum

1,024 MB

Expandable Memory Options

Yes

Apple Macintosh Operating Systems Supported

Mac OS X, Mac OS 9.x, Mac OS X (10.4 Intel), Mac OS X (10.4 Power PC)

Citrix MetaFrame

Microsoft Windows 2000 Server running Terminal Services with Citrix MetaFrame XP Presentation Server or Citrix MetaFrame Presentation Server 3.0., Microsoft Windows Server 2003 running Terminal Services with Citrix MetaFrame XP Presentation Server or Citrix MetaFrame Presentation Server 3.0, Microsoft Windows 2000 Server running Terminal Services with Citrix Presentation Server 4.0, Microsoft Windows Server 2003 running Terminal Services with Citrix Presentation Server 4.0, Microsoft Windows Server 2003 x64 running Terminal Services with Citrix Presentation Server 4.0

Linux Operating Systems Supported

Red Flag Linux Desktop 4.0, 5.0, Linpus Linux Desktop 9.2, 9.3, Red Hat Enterprise Linux WS 3.0, 4.0, 5.0, SUSE Linux Enterprise Server 8.0, 9.0, 10.0, SUSE Linux

Professional 9.1, 9.2, 9.3, Debian GNU/Linux 3.1, 4.0, Linspire Linux 5.0, SUSE Linux 10.0, 10.1, 10.2

Microsoft Windows Operating Systems Supported

2000, NT (4.00/4.00 Server), XP, Server 2003, XP x64, Server 2003 running Terminal Services, 2000 Server running Terminal Services, Server 2003 x64, Server 2003 x64 running Terminal Services, Vista, Vista x64

Novell Operating Systems Supported

Open Enterprise Server for Netware with NDS, iPrint or Novell Distributed Print Services (NDPS), NetWare® 3.2, 4.2 (bindery), NetWare 4.2, 5.x and 6.x (NDS), NetWare 5.x, 6.x with iPrint or Novell Distributed Print Services (NDPS)

UNIX Operating Systems Supported

Sun Solaris SPARC 8, 9, 10, HP-UX 11.00, 11.1, IBM AIX 5.1, 5.2, 5.3, Sun Solaris x86 10

Other Operating Systems Supported

IBM iSeries or IBM AS/400® Systems with TCP/IP with OS/400® V3R1 or later using OS/400 Host Print Transform, Virtually any platform supporting TCP/IP

Paper Handling Standard

Integrated Duplex, 100-Sheet Multipurpose Feeder, 520-Sheet Input Tray, 2520-Sheet High Capacity Feeder Stand

Paper Handling Optional

3,500-Sheet Finisher, Booklet Finisher

Paper Input Capacity, Standard

3140 pages 20 lb or 75 gsm bond

Paper Input Capacity, Maximum

3140 pages 20 lb or 75 gsm bond

Paper Output Capacity, Standard

400 pages 20 lb or 75 gsm bond

Paper Output Capacity, Maximum

3500 pages 20 lb or 75 gsm bond

ADF Paper Input Capacity

Up to 75 pages 20 lb or 75 gsm bond

Envelope Capacity

not define

Finishing Option

Yes

Number of Paper Inputs, Standard

5

Number of Paper Inputs, Maximum

5

Media Types Supported

Card Stock, Envelopes, Glossy paper, Paper Labels, Plain Paper, Transparencies, Refer to the Card Stock & Label Guide

Media Sizes Supported

10 Envelope, A3, A4, A5, C5 Envelope, DL Envelope, Executive, Folio, JIS-B4, JIS-B5, Ledger, Legal, Letter, Statement, Universal

Connectivity (standard)

One Internal Card Slot, USB Direct interface on Operator Panel, Gigabit Ethernet (10/100/1000), USB port (Type A)

compatible with USB 2.0 Specification, Hi-Speed USB **Connectivity (optional)**

Lexmark N4050e 802.11g Wireless Print Server (Print Only), Internal MarkNet™ N8050 802.11g Wireless, Internal MarkNet™ N8030 Fiber Fast Ethernet

Network Printing Methods

LPR/LPD, Direct IP (Port 9100), Socket (Raw TCP/IP), IPP (Internet Printing Protocol), HTTP, NDS Queue-based Printing, NDPS/NEPS (Novell Distributed Print Services, Novell Netware Enterprise Print Services), Enhanced IP (Port 9400), FTP, TFTP, IPP 1.1 (Internet Printing Protocol)

Network Protocol Support

TCP/IP IPv4, IPX/SPX, AppleTalk™, LexLink (DLC), TCP/IP IPv6

Network Security

SSL* Enabled Embedded Web Server (HTTPS), SNMPv3, TCP/IP port access control, Authenticated and encrypted MarkVision Professional communication, 802.1x Authentication: MDS, MSCHAPv2, LEAP, PEAP, TLS, TTLS, IPsec, *This product includes software developed by the OpenSSL Project for use in the OpenSSL Toolkit.

Printable Area

4.0 mm of the top, bottom, right and left edges (within)

Printable Area

0.158 inches of the top, bottom, right and left edges (within)

Printer Languages (Standard)

PCL 5c Emulation, PCL 6 Emulation, PPDS, PostScript 3 Emulation, xHTML, PDF 1.6, Direct Image

Reduce / Enlarge Range

25 - 400 %

Scan Area, Maximum

297 x 432 mm

Scan Area, Maximum

11.7 x 17.0 inches

Modem Speed

33.6 Kbps

Supplies Yield

Average continuous black or continuous composite CMY declared cartridge yield up to this number of standard pages in accordance with ISO/IEC 19798., Ships with 13,000-page black and 12,000* page colour Toner Cartridges, 22,000*-page colour (CMY) Toner Cartridges, 36,000*-page Black Toner Cartridge

Package Size (mm - H x W x D)

1480 x 740 x 925 mm

Package Size (in. - H x W x D)

58.3 x 26.1 x 36.4 in.

Size (mm - H x W x D)

1153 x 660 x 810 mm

Size (in. - H x W x D)

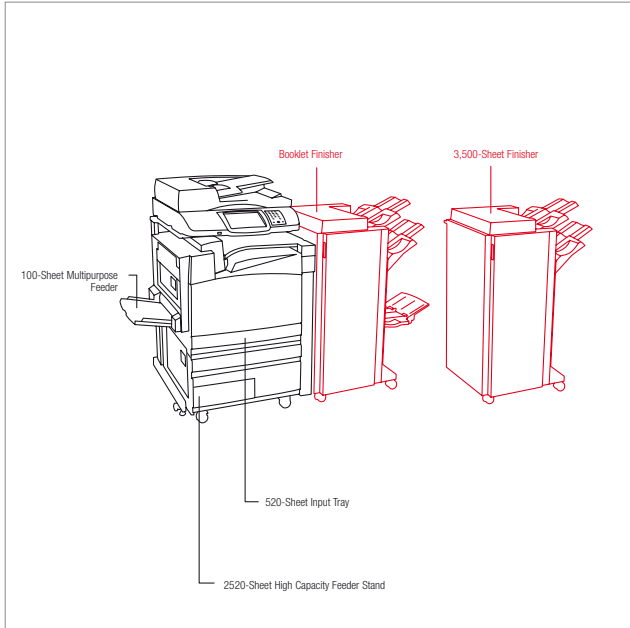
45.4 x 26 x 31.9 in.

Weight (kg)

173.7 kg

Weight (lb.)

383 lb.



Acoustics/Noise level (Idle mode)

34 dBA

Acoustics/Noise level (Operating mode)

52 dBA

Copy Noise Level, Operating

53 dBA

Scan Noise Level, Operating

54 dBA

Product Guarantee

1-Year OnSite Repair

Product Certifications

Energy Star, CSA, ICES Class A, BSMI Class A, VCCI Class A, FCC Class A, UL 60950-1, IEC 60320, CE Class A, CB IEC 60950-1, IEC 60825-1, CISPR 22 Class A, GS (TUV), SEMKO, UL AR, CS, TÜV Rh, A-tick mark Class A, CCC Class A

■ Paper Handling Standard
■ Paper Handling Optional

Part #	Model
0021Z0221	Lexmark X945e

Part #	Laser Toner/Print Cartridge
0X945X2KG	X940e, X945e Black High Yield Toner Cartridge
0X945X2CG	X940e, X945e Cyan High Yield Toner Cartridge
0X945X2MG	X940e, X945e Magenta High Yield Toner Cartridge
0X945X2YG	X940e, X945e Yellow High Yield Toner Cartridge
0C930X73G	C935, X940e, X945e CMY Photoconductor Unit 3-Pack
0C930X72G	C935, X940e, X945e Black Photoconductor Unit 1-Pack
0C930X76G	C935, X940e, X945e Waste Toner Bottle
0025A0013	Staple Cartridges (3 pack)
0021Z0357	Saddle Staple Cartridges (4 pack)

Part #	Paper & Transparencies
0012A5951	Glossy Laser Paper, A4 (200)
0012A8241	Professional Colour Laser Transparencies, A4
0012A5950	Glossy Laser Paper, Letter (200)

Part #	Paper Handling
0021Z0310	C935, X940e, X945e 3500-Sheet Finisher (4-Hole)
0021Z0311	C935, X940e, X945e Booklet Finisher (4-Hole)

Part #	Flash, SDRAM Memory
0013N1523	128MB DDR-DRAM
0013N1524	256MB DDR-DRAM
0013N1526	512MB DDR-DRAM
001021208	32MB Flash Card
001021209	64MB Flash Card
001021243	Japanese Font Card
001021240	Korean Font Card
001021241	Simplified Chinese Font Card
001021242	Traditional Chinese Font Card

Part #	Application Cards / SIMMs
0021Z0368	X940e, X945e Card for IPDS and SCS/TNe
0021Z0370	Lexmark Print/Cryption Card for the Lexmark X940e, X945e
0021Z0367	X940e, X945e Bar Code and Forms Card

Part #	Connectivity
001021231	Parallel (10') Cable
001021294	USB (2 Meter) Cable
001021092	RS-232C Serial Interface Card
001021091	Parallel 1284-B Interface Card
0014T0155	Lexmark N4050e 802.11g Wireless Print Server
0014S0210	MarkNet N8050 802.11g Wireless Print Server
0014S0220	MarkNet N8030 Fiber Ethernet 100BaseFX, 10BaseFL
0014T0220	MarkNet™ N7020e Gigabit Ethernet Print Server

Part #	Extended Warranties
002349452	1 Year OnSite Repair Extended Guarantee

002349453	2 Year OnSite Repair Extended Guarantee
002349454	3 Year OnSite Repair Extended Guarantee
002349456	1 Year Renewal OnSite Repair Guarantee

Part #	Service Parts
0040X4031	C935, X940e, X945e Maintenance Kit, 100K, 110V
0040X4093	C935, X940e, X945e Maintenance Kit, 100K, 220V
0040X4032	C935, X940e, X945e Maintenance Kit, 600K
0040X4033	X940e, X945e ADF Maintenance Kit

MULTIFUNCTION



Lexmark 4600 MFP Option

An easy upgrade to big-screen
MFP innovation

Simplex Scan Speed (A4/Ltr, Black)

Up to 33 / 35 sides per minute

Simplex Scan Speed (A4/Ltr, Color)

Up to 17 / 18 sides per minute

Scanning Resolution

300 X 300 dpi (colour), 600 X 600 dpi (mono)

ADF Paper Input Capacity

Up to 50 pages 20 lb or 75 gsm bond

Scan Noise Level, Operating

52,5 dBA

Reduce / Enlarge Range

25 - 400 %

Scan Area, Maximum

216 x 355 mm

Scan Area, Maximum

8,5 x 14 inches

Modem Speed

33,6 Kbps

Packaged Size (mm - H x W x D)

419 x 635 x 610 mm

Packaged Size (in. - H x W x D)

16,5 x 25 x 24 in.

Size (mm - H x W x D)

370 x 525 x 515 mm

Size (in. - H x W x D)

14,57 x 20,67 x 20,28 in.

Weight (kg)

14,51 kg

Weight (lb.)

32 lb.

Product Guarantee

One year on site repair, next business day response time.



Part #	Model
0021J0110	Lexmark 4600 MFP Option

Part #	Furniture
0021J0050	T642, T644 Scanner Shelf for 4600 MFP Option
0016C0700	Scanner Stand with Cabinet

Part #	Connectivity
0021J0069	6 Meter Scanner Cable

Part #	Extended Warranties
002348399	1 Year OnSite Repair Extended Guarantee
002348400	2 Year OnSite Repair Extended Guarantee
002348403	1 Year Renewal OnSite Repair Guarantee

Part #	User Replaceable Parts
0040X2538	4600 MFP Option Separator (Pick) Roll Pad
0040X2540	4600 MFP Option Pick Roller

Part #	Mono Laser
0020G0251	Lexmark T642n
0020G0431	Lexmark T642tn
0020G0531	Lexmark T642dtn
0020G0351	Lexmark T644n
0020G0461	Lexmark T644tn
0020G0561	Lexmark T644dtn
0020G0151	Lexmark T640n
0020G0401	Lexmark T640dn
0020G0501	Lexmark T640dtn



Lexmark 4600 MFP Option

Upgrade your C772n (dn, dtn) printer to incorporate copy, fax, scan-to-email and e-routing capabilities to meet the needs of your business.

Simplex Scan Speed (A4/Ltr, Black)

Up to 33 / 35 sides per minute

Simplex Scan Speed (A4/Ltr, Color)

Up to 17 / 18 sides per minute

Scanning Resolution

300 X 300 dpi (colour), 600 X 600 dpi (mono)

ADF Paper Input Capacity

Up to 50 pages 20 lb or 75 gsm bond

Scan Noise Level, Operating

52.5 dBA

Reduce / Enlarge Range

25 - 400 %

Scan Area, Maximum

216 x 355 mm

Scan Area, Maximum

8.5 x 14 inches

Modem Speed

33.6 Kbps

Packaged Size (mm - H x W x D)

419 x 635 x 610 mm

Packaged Size (in. - H x W x D)

16.5 x 25 x 24 in.

Size (mm - H x W x D)

370 x 525 x 515 mm

Size (in. - H x W x D)

14.57 x 20.67 x 20.28 in.

Weight (kg)

14.51 kg

Weight (lb.)

32 lb.

Product Guarantee

One year on site repair, next business day response time.



Part # Model
0021J0350 Lexmark 4600 MFP Option (C772n)

Part # Furniture
0021J0055 C772 Scanner Shelf
0016C0700 Scanner Stand with Cabinet

Part # Connectivity
0021J0069 6 Meter Scanner Cable

Part # Extended Warranties
002348399 1 Year OnSite Repair Extended Guarantee
002348400 2 Year OnSite Repair Extended Guarantee
002348403 1 Year Renewal OnSite Repair Guarantee

Part # User Replaceable Parts
0040X2538 4600 MFP Option Separator (Pick) Roll Pad
0040X2540 4600 MFP Option Pick Roller



Lexmark 4600 MFP Option

Upgrade your Lexmark C782n (dn, dtn) printer to incorporate copy, fax, scan-to-email and e-routing capabilities to meet the needs of your business.

Simplex Scan Speed (A4/Ltr, Black)

Up to 33 / 35 sides per minute

Simplex Scan Speed (A4/Ltr, Color)

Up to 17 / 18 sides per minute

Scanning Resolution

300 X 300 dpi (colour), 600 X 600 dpi (mono)

ADF Paper Input Capacity

Up to 50 pages 20 lb or 75 gsm bond

Scan Noise Level, Operating

52.5 dBA

Reduce / Enlarge Range

25 - 400 %

Scan Area, Maximum

216 x 355 mm

Scan Area, Maximum

8.5 x 14 inches

Modem Speed

33.6 Kbps

Packaged Size (mm - H x W x D)

419 x 635 x 610 mm

Packaged Size (in. - H x W x D)

16.5 x 25 x 24 in.

Size (mm - H x W x D)

370 x 525 x 515 mm

Size (in. - H x W x D)

14.57 x 20.67 x 20.28 in.

Weight (kg)

14.51 kg

Weight (lb.)

32 lb.

Product Guarantee

One year on site repair, next business day response time

**Part # Model**

0021J0409 Lexmark 4600 MFP Option (C782n)

Part # Furniture

0021J0055 C772 Scanner Shelf
0016C0700 Scanner Stand with Cabinet

Part # Connectivity

0021J0069 6 Meter Scanner Cable

Part # Extended Warranties

002348399 1 Year OnSite Repair Extended Guarantee
002348400 2 Year OnSite Repair Extended Guarantee
002348403 1 Year Renewal OnSite Repair Guarantee

Part # User Replaceable Parts

0040X2538 4600 MFP Option Separator (Pick) Roll Pad
0040X2540 4600 MFP Option Pick Roller

Part # Color Laser

0010Z0150 Lexmark C782n
0010Z0151 Lexmark C782dn
0010Z0152 Lexmark C782dtn

Lexmark Forms Printer 2580



Fast, reliable 9-pin printing for narrow forms

Print Technology

9-Pin Dot Matrix

Print Speeds

Up to 304 cps Draft @12 cpi, Up to 510 cps Fast Draft @ 12cpi, Up to 76 cps Near Letter Quality @ 12 cpi

Resolution

240 x 144 dots per inch

Memory

512 KB

Mean Time Between Failures (MTBF)

12,500 POH @ 25% duty cycle

Linux Operating Systems Supported

Red Hat Enterprise Linux WS 3.0, 4.0, 5.0, SUSE Linux Enterprise Server 8.0, 9.0, 10.0, Debian GNU/Linux 3.1, 4.0, Linspire Linux 5.0, SUSE Linux 10.0, 10.1, 10.2

Microsoft Windows Operating Systems Supported

2000, NT (4.00/4.00 Server), Me, XP, Server 2003, 98 2nd Edition, XP x64, Server 2003 x64, Vista, Vista x64

Paper Handling Optional

Automatic Sheet Feeder (narrow), Tractor 2 (narrow)

Paper Handling Standard

Front Tractor Feeder

Media Sizes Supported

Single-part or multi-part Continuous Forms, Narrow Sheet Fed Paper, Single-part or multi-part Cut Forms

Media Types Supported

Multi-part forms - Up to 1+5 Parts (up to 0.020" or 0.51 mm paper thickness), Single-part forms - 16 to 24 lbs, 60 to 90 gsm (0.0045" or 0.11 mm paper thickness), Forms or Paper - 16 to 24 lbs, 60 to 90 gsm (0.0045" or 0.11mm maximum paper thickness)

Supplies Yield

Optional 8 million characters (draft mode at 10 cpi)- Re-Inking Ribbon, Standard 4 million characters (draft mode at 10 cpi) - Re-Inking Ribbon

Connectivity (standard)

Centronics IEEE 1284 Bidirectional Parallel, USB

Compatible with USB 2.0 Specification

Other Attachment Options

RS-232C Serial Interface Card

Connectivity (optional)

Lexmark N4000e Fast Ethernet (Print Only), Lexmark N4050e 802.11g Wireless Print Server (Print Only), External MarkNet™ N7020e Gigabit Ethernet, External MarkNet™ N7000e Fast Ethernet (USB), External MarkNet™ N7002e Fast Ethernet (parallel)

Printer Languages (Standard)

Epson Emulation, PPDs, Okidata MICROLINE Emulation

Text Fonts

Fast Draft, Draft, Courier, Gothic, 10, 12, 15, 17.1, 20 cpi, Proportional Spaced (PS)

Bar Codes

EAN-8, UPC-A, Code 3 of 9, UPC-E, Codabar (NW-7), EAN-13, Interleaved 2 of 5, Industrial 2 of 5, Code 128,

US Postal (POSTNET 5-digit ZIP Code)

Packaged Size (mm - H x W x D)

325 x 609 x 408 mm

Packaged Size (in. - H x W x D)

12.8 x 24.0 x 16.1 in.

Size (mm - H x W x D)

195 x 492 x 290 mm

Size (in. - H x W x D)

7.7 x 19.4 x 11.4 in.

Weight (kg)

8 kg

Weight (lb.)

17.6 lb.

Acoustics/Noise level (Idle mode)

0 dBA

Acoustics/Noise level (Operating mode)

56 dBA

Maximum Print Line (")

8.0 inches

Maximum Print Line (mm)

203.2 mm

Product Guarantee

1 Year On site Repair, next business day response time

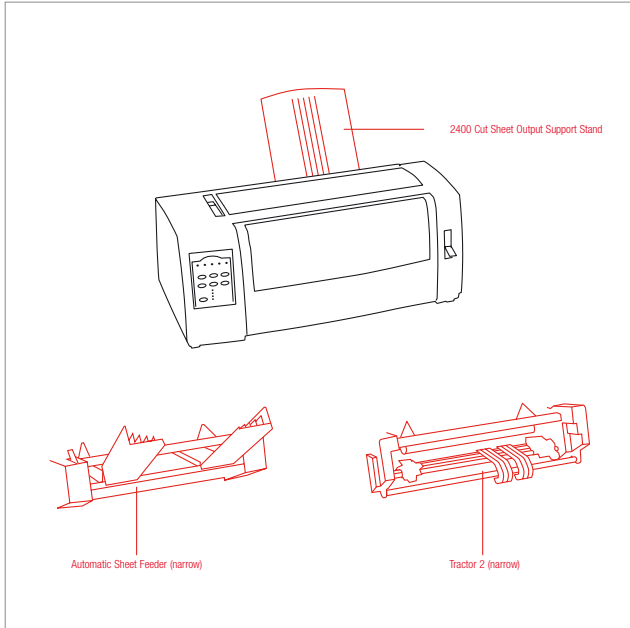
Product Certifications

Energy Star, UL 60950-1, CSA, FCC Class B, VCCI, CB IEC 60950-1, SEMKO, GS (TÜV), CE Class B, SMA C-Tick

Specified Operating Environment

Humidity: 8 to 90% Relative Humidity, Temperature:

10 to 40°C (50 to 104°F)



■ Paper Handling Standard
■ Paper Handling Optional

Part #	Model
0011C2560	Lexmark Forms Printer 2580
Part #	Ribbons
0011A3550	24XX High Yield Ribbon
0011A3540	23XX, 24XX Standard Ribbon
Part #	Paper Handling
0012T0693	2480, 2490 Automatic Sheet Feed (narrow)
0012T0695	2480, 2490 Tractor 2
0012T0697	2400 Cut Sheet Output Support Stand
Part #	Connectivity
001021231	Parallel (10') Cable
001021294	USB (2 Meter) Cable
0012T0698	2400 Series Serial Interface Option
0014T0040	Lexmark N4000e Fast Ethernet Print Server
0014T0155	Lexmark N4050e 802.11g Wireless Print Server
0014T0230	MarkNet™ N7000e Fast Ethernet Print Server - USB
0014T0240	MarkNet™ N7002e Fast Ethernet Print Server - Parallel
0014T0220	MarkNet™ N7020e Gigabit Ethernet Print Server
Part #	Extended Warranties
002349642	1 Year Onsite Repair Extended Warranty
002349643	2 Year Onsite Repair Extended Warranty
002349644	3 Year Onsite Repair Extended Warranty

Lexmark Forms Printer 2580n



9-pin printing for narrow forms
– includes built-in networking

Print Technology

9-Pin Dot Matrix

Print Speeds

Up to 304 cps Draft @12 cpi, Up to 510 cps Fast Draft @ 12cpi, Up to 76 cps Near Letter Quality @ 12 cpi

Resolution

240 x 144 dots per inch

Memory

512 KB

Mean Time Between Failures (MTBF)

12,500 POH @ 25% duty cycle

Linux Operating Systems Supported

Red Hat Enterprise Linux WS 3.0, 4.0, 5.0, SUSE Linux Enterprise Server 8.0, 9.0, 10.0, Debian GNU/Linux 3.1, 4.0, Linspire Linux 5.0, SUSE Linux 10.0, 10.1, 10.2

Microsoft Windows Operating Systems Supported

2000, NT (4.00/4.00 Server), Me, XP, Server 2003, 98 2nd Edition, XP x64, Server 2003 x64, Vista, Vista x64

Novell Operating Systems Supported

Open Enterprise Server for Netware with NDS, iPrint or Novell Distributed Print Services (NDPS), NetWare® 3.2, 4.2 (bindery), NetWare 4.2, 5.x and 6.x (NDS), NetWare 5.x, 6.x with iPrint or Novell Distributed Print Services (NDPS)

UNIX Operating Systems Supported

Sun Solaris SPARC 8, 9, 10, IBM AIX 5.1, 5.2, 5.3, Sun Solaris x86 10, HP-UX 11.11

Paper Handling Optional

Automatic Sheet Feeder (narrow), Tractor 2 (narrow)

Paper Handling Standard

Front Tractor Feeder

Media Sizes Supported

Single-part or multi-part Continuous Forms, Narrow Sheet Fed Paper, Single-part or multi-part Cut Forms

Media Types Supported

Multi-part forms - Up to 1+5 Parts (up to 0.020" or 0.51 mm paper thickness), Single-part forms - 16 to 24 lbs, 60 to 90 gsm (0.0045" or 0.11 mm paper thickness), Forms or Paper - 16 to 24 lbs, 60 to 90 gsm (0.0045" or 0.11mm maximum paper thickness)

Supplies Yield

Optional 8 million characters (draft mode at 10 cpi)- Re-Inking Ribbon, Standard 4 million characters (draft mode at 10 cpi) - Re-Inking Ribbon

Connectivity (standard)

Centronics IEEE 1284 Bidirectional Parallel, Fast Ethernet, USB Compatible with USB 2.0 Specification

Connectivity (optional)

Lexmark N4050e 802.11g Wireless Print Server (Print Only), External MarkNet™ N7020e Gigabit Ethernet

Printer Languages (Standard)

Epson Emulation, PPDS, Okidata MICROLINE Emulation

Text Fonts

Fast Draft, Draft, Courier, Gothic, 10, 12, 15, 17.1, 20

cpi, Proportional Spaced (PS)

Bar Codes

EAN-8, UPC-A, Code 3 of 9, UPC-E, Codabar (NW-7), EAN-13, Interleaved 2 of 5, Industrial 2 of 5, Code 128, US Postal (POSTNET 5-digit ZIP Code)

Packaged Size (mm - H x W x D)

325 x 609 x 408 mm

Packaged Size (in. - H x W x D)

12.8 x 24.0 x 16.1 in.

Size (mm - H x W x D)

195 x 492 x 290 mm

Size (in. - H x W x D)

7.7 x 19.4 x 11.4 in.

Weight (kg)

8 kg

Weight (lb.)

17.6 lb.

Acoustics/Noise level (Idle mode)

0 dBA

Acoustics/Noise level (Operating mode)

56 dBA

Maximum Print Line (")

8.0 inches

Maximum Print Line (mm)

203.2 mm

Product Guarantee

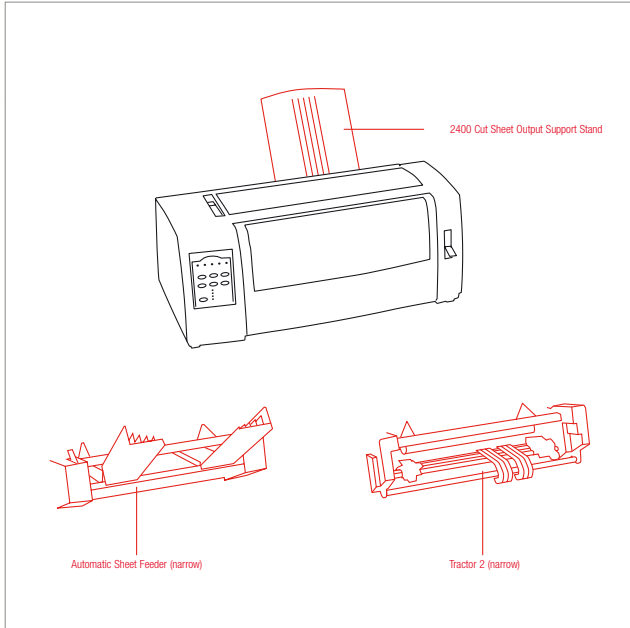
1 Year On site Repair, next business day response

Product Certifications

Energy Star, ULL 60950-1, CSA, FCC Class B, VCCI, CB IEC 60950-1, SEMKO, GS (TÜV), CE Class B, SMA C-Tick

Specified Operating Environment

Humidity: 8 to 90% Relative Humidity, Temperature: 10 to 40°C (50 to 104°F)



■ Paper Handling Standard
■ Paper Handling Optional

Part #	Model
0011C2561	Lexmark Forms Printer 2580n
Part #	Ribbons
0011A3550	24XX High Yield Ribbon
0011A3540	23XX, 24XX Standard Ribbon
Part #	Paper Handling
0012T0693	2480, 2490 Automatic Sheet Feed (narrow)
0012T0695	2480, 2490 Tractor 2
0012T0697	2400 Cut Sheet Output Support Stand
Part #	Connectivity
001021231	Parallel (10') Cable
001021294	USB (2 Meter) Cable
0014T0155	Lexmark N4050e 802.11g Wireless Print Server
0014T0220	MarkNet™ N7020e Gigabit Ethernet Print Server
Part #	Extended Warranties
002349642	1 Year Onsite Repair Extended Warranty
002349643	2 Year Onsite Repair Extended Warranty
002349644	3 Year Onsite Repair Extended Warranty

Lexmark Forms Printer 2581



Fast, reliable 9-pin printing for wide forms

Print Technology

9-Pin Dot Matrix

Print Speeds

Up to 304 cps Draft @12 cpi, Up to 510 cps Fast Draft @ 12cpi, Up to 76 cps Near Letter Quality @ 12 cpi

Resolution

240 x 144 dots per inch

Memory

512 KB

Mean Time Between Failures (MTBF)

12,500 POH @ 25% duty cycle

Linux Operating Systems Supported

Red Hat Enterprise Linux WS 3.0, 4.0, 5.0, SUSE Linux Enterprise Server 8.0, 9.0, 10.0, Debian GNU/Linux 3.1, 4.0, Linspire Linux 5.0, SUSE Linux 10.0, 10.1, 10.2

Microsoft Windows Operating Systems Supported

2000, NT (4.00/4.00 Server), Me, XP, Server 2003, 98 2nd Edition, XP x64, Server 2003 x64, Vista, Vista x64

Paper Handling Optional

Automatic Sheet Feeder (wide), Tractor 2 (wide)

Paper Handling Standard

Front Tractor Feeder

Media Sizes Supported

Single-part or multi-part Continuous Forms, Wide Sheet Fed Paper, Single-part or multi-part Cut Forms

Media Types Supported

Multi-part forms - Up to 1+5 Parts (up to 0.020" or 0.51 mm paper thickness), Single-part forms - 16 to 24 lbs, 60 to 90 gsm (0.0045" or 0.11 mm paper thickness), Forms or Paper - 16 to 24 lbs, 60 to 90 gsm (0.0045" or 0.11mm maximum paper thickness)

Supplies Yield

Optional 8 million characters (draft mode at 10 cpi)- Re-Inking Ribbon, Standard 4 million characters (draft mode at 10 cpi) - Re-Inking Ribbon

Connectivity (standard)

Centronics IEEE 1284 Bidirectional Parallel, USB

Compatible with USB 2.0 Specification

Other Attachment Options

RS-232C Serial Interface Card

Connectivity (optional)

Lexmark N4000e Fast Ethernet (Print Only), Lexmark N4050e 802.11g Wireless Print Server (Print Only), External MarkNet™ N7020e Gigabit Ethernet, External MarkNet™ N7000e Fast Ethernet (USB), External MarkNet™ N7002e Fast Ethernet (parallel)

Printer Languages (Standard)

Epson Emulation, PPDs, Okidata MICROLINE Emulation

Text Fonts

Fast Draft, Draft, Courier, Gothic, 10, 12, 15, 17.1, 20 cpi, Proportional Spaced (PS)

Bar Codes

EAN-8, UPC-A, Code 3 of 9, UPC-E, Codabar (NW-7), EAN-13, Interleaved 2 of 5, Industrial 2 of 5, Code 128,

US Postal (POSTNET 5-digit ZIP Code)

Packaged Size (mm - H x W x D)

325 x 751 x 408 mm

Packaged Size (in. - H x W x D)

12.8 x 29.6 x 16.1 in.

Size (mm - H x W x D)

195 x 634 x 290 mm

Size (in. - H x W x D)

7.7 x 24.9 x 11.4 in.

Weight (kg)

9.8 kg

Weight (lb.)

21.6 lb.

Acoustics/Noise level (Idle mode)

0 dBA

Acoustics/Noise level (Operating mode)

56 dBA

Maximum Print Line (")

13.6 inches

Maximum Print Line (mm)

345.4 mm

Product Guarantee

1 Year On site Repair, next business day response

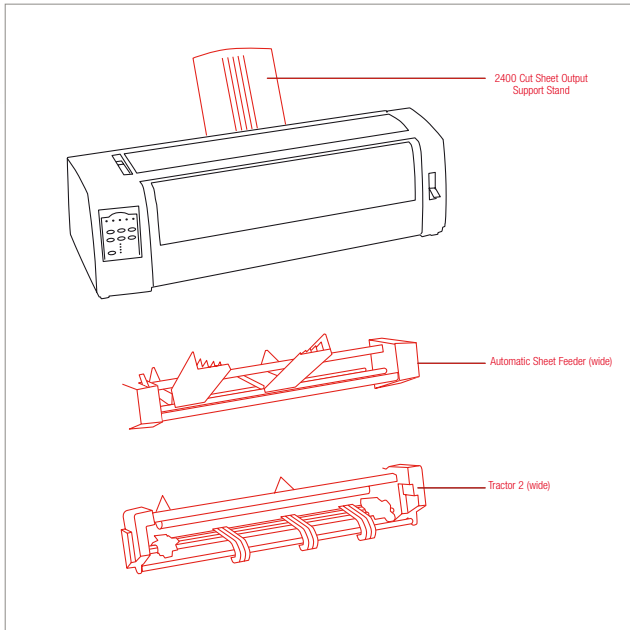
Product Certifications

Energy Star, UL 60950-1, CSA, FCC Class B, VCCI, CB IEC 60950-1, SEMKO, GS (TÜV), CE Class B, SMA C-Tick

Specified Operating Environment

Humidity: 8 to 90% Relative Humidity, Temperature:

10 to 40°C (50 to 104°F)



■ Paper Handling Standard
■ Paper Handling Optional

Part # Model

0011C2562 Lexmark Forms Printer 2581

Part # Ribbons

0011A3550 24XX High Yield Ribbon

0011A3540 23XX, 24XX Standard Ribbon

Part # Paper Handling

0012T0696 2481, 2491 Tractor 2

0012T0694 2481, 2491, 4227+ Automatic Sheet Feed (wide)

0012T0697 2400 Cut Sheet Output Support Stand

Part # Connectivity

001021231 Parallel (10') Cable

001021294 USB (2 Meter) Cable

0012T0698 2400 Series Serial Interface Option

0014T0040 Lexmark N4000e Fast Ethernet Print Server

0014T0155 Lexmark N4050e 802.11g Wireless Print Server

0014T0230 MarkNet™ N7000e Fast Ethernet Print Server - USB

0014T0240 MarkNet™ N7002e Fast Ethernet Print Server - Parallel

0014T0220 MarkNet™ N7020e Gigabit Ethernet Print Server

Part # Extended Warranties

002349642 1 Year Onsite Repair Extended Warranty

002349643 2 Year Onsite Repair Extended Warranty

002349644 3 Year Onsite Repair Extended Warranty

Lexmark Forms Printer 2581n



9-pin printing for wide forms
– includes built-in networking

Print Technology

9-Pin Dot Matrix

Print Speeds

Up to 304 cps Draft @12 cpi, Up to 510 cps Fast Draft @ 12cpi, Up to 76 cps Near Letter Quality @ 12 cpi

Resolution

240 x 144 dots per inch

Memory

512 KB

Mean Time Between Failures (MTBF)

12,500 POH @ 25% duty cycle

Linux Operating Systems Supported

Red Hat Enterprise Linux WS 3.0, 4.0, 5.0, SUSE Linux Enterprise Server 8.0, 9.0, 10.0, Debian GNU/Linux 3.1, 4.0, Linspire Linux 5.0, SUSE Linux 10.0, 10.1, 10.2

Microsoft Windows Operating Systems Supported

2000, NT (4.00/4.00 Server), Me, XP, Server 2003, 98 2nd Edition, XP x64, Server 2003 x64, Vista, Vista x64

Novell Operating Systems Supported

Open Enterprise Server for Netware with NDS, iPrint or Novell Distributed Print Services (NDPS), NetWare® 3.2, 4.2 (bindery), NetWare 4.2, 5.x and 6.x (NDS), NetWare 5.x, 6.x with iPrint or Novell Distributed Print Services (NDPS)

UNIX Operating Systems Supported

Sun Solaris SPARC 8, 9, 10, IBM AIX 5.1, 5.2, 5.3, Sun Solaris x86 10, HP-LUX 11.11

Paper Handling Optional

Automatic Sheet Feeder (wide), Tractor 2 (wide)

Paper Handling Standard

Front Tractor Feeder

Media Sizes Supported

Single-part or multi-part Continuous Forms, Wide Sheet Fed Paper, Single-part or multi-part Cut Forms

Media Types Supported

Multi-part forms - Up to 1+5 Parts (up to 0.020" or 0.51 mm paper thickness), Single-part forms - 16 to 24 lbs, 60 to 90 gsm (0.0045" or 0.11 mm paper thickness), Forms or Paper - 16 to 24 lbs, 60 to 90 gsm (0.0045" or 0.11mm maximum paper thickness)

Supplies Yield

Optional 8 million characters (draft mode at 10 cpi) - Re-Inking Ribbon, Standard 4 million characters (draft mode at 10 cpi) - Re-Inking Ribbon

Connectivity (standard)

Centronics IEEE 1284 Bidirectional Parallel, Fast Ethernet, USB Compatible with USB 2.0 Specification

Connectivity (optional)

Lexmark N4050e 802.11g Wireless Print Server (Print Only), External MarkNet™ N7020e Gigabit Ethernet

Printer Languages (Standard)

Epson Emulation, PPDS, Okidata MICROLINE Emulation

Text Fonts

Fast Draft, Draft, Courier, Gothic, 10, 12, 15, 17.1, 20

cpi, Proportional Spaced (PS)

Bar Codes

EAN-8, UPC-A, Code 3 of 9, UPC-E, Codabar (NW-7), EAN-13, Interleaved 2 of 5, Industrial 2 of 5, Code 128, US Postal (POSTNET 5-digit ZIP Code)

Packaged Size (mm - H x W x D)

325 x 751 x 408 mm

Packaged Size (in. - H x W x D)

12.8 x 29.6 x 16.1 in.

Size (mm - H x W x D)

195 x 634 x 290 mm

Size (in. - H x W x D)

7.7 x 24.9 x 11.4 in.

Weight (kg)

9.8 kg

Weight (lb.)

21.6 lb.

Acoustics/Noise level (Idle mode)

0 dBA

Acoustics/Noise level (Operating mode)

56 dBA

Maximum Print Line (")

13.6 inches

Maximum Print Line (mm)

345.4 mm

Product Guarantee

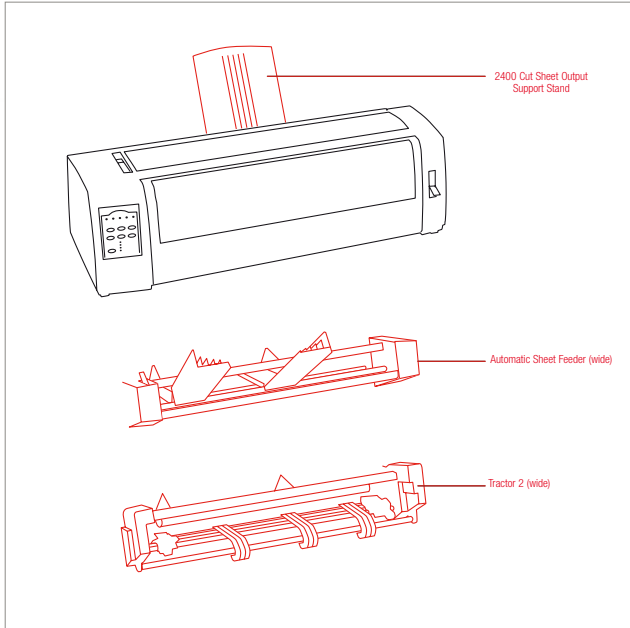
1 Year On site Repair, next business day response

Product Certifications

Energy Star, UL 60950-1, CSA, FCC Class B, CB IEC 60950-1, SEMKO, GS (TÜV), CE Class B, SMA C-Tick

Specified Operating Environment

Humidity: 8 to 90% Relative Humidity, Temperature: 10 to 40°C (50 to 104°F)



■ Paper Handling Standard
■ Paper Handling Optional

Part #	Model
0011C2563	Lexmark Forms Printer 2581n
Part #	Ribbons
0011A3550	24XX High Yield Ribbon
0011A3540	23XX, 24XX Standard Ribbon
Part #	Paper Handling
0012T0696	2481, 2491 Tractor 2
0012T0694	2481, 2491, 4227+ Automatic Sheet Feed (wide)
0012T0697	2400 Cut Sheet Output Support Stand
Part #	Connectivity
001021231	Parallel (10') Cable
001021294	USB (2 Meter) Cable
0014T0155	Lexmark N4050e 802.11g Wireless Print Server
0014T0220	MarkNet™ N7020e Gigabit Ethernet Print Server
Part #	Extended Warranties
002349642	1 Year Onsite Repair Extended Warranty
002349643	2 Year Onsite Repair Extended Warranty
002349644	3 Year Onsite Repair Extended Warranty

Lexmark Forms Printer 2590



Letter-quality 24-pin printing for narrow forms

Print Technology

24-Pin Dot Matrix

Print Speeds

Up to 465 cps Fast Draft @ 12 cpi, Up to 109 cps Near Letter Quality @ 12 cpi, Up to 328 cps Draft @12 cpi

Resolution

360 x 360 dots per inch

Memory

512 KB

Mean Time Between Failures (MTBF)

12,500 POH @ 25% duty cycle

Linux Operating Systems Supported

Red Hat Enterprise Linux WS 3.0, 4.0, 5.0, SUSE Linux Enterprise Server 8.0, 9.0, 10.0, Debian GNU/Linux 3.1, 4.0, Linspire Linux 5.0, SUSE Linux 10.0, 10.1, 10.2

Microsoft Windows Operating Systems Supported

2000, NT (4.00/4.00 Server), Me, XP, Server 2003, 98 2nd Edition, XP x64, Server 2003 x64, Vista, Vista x64

Paper Handling Optional

Automatic Sheet Feeder (narrow), Tractor 2 (narrow)

Paper Handling Standard

Front Tractor Feeder

Media Sizes Supported

Single-part or multi-part Continuous Forms, Narrow Sheet Fed Paper, Single-part or multi-part Cut Forms

Media Types Supported

Multi-part forms - Up to 1+3 Parts (up to 0.014" or 0.36 mm paper thickness), Single-part forms - 16 to 24 lbs, 60 to 90 gsm (0.0045" or 0.11 mm paper thickness), Forms or Paper - 16 to 24 lbs, 60 to 90 gsm (0.0045" or 0.11mm maximum paper thickness)

Supplies Used

Optional 8 million characters (draft mode at 10 cpi)- Re-Inking Ribbon, Standard 4 million characters (draft mode at 10 cpi) - Re-Inking Ribbon

Connectivity (standard)

Centronics IEEE 1284 Bidirectional Parallel, USB

Compatible with USB 2.0 Specification

Other Attachment Options

RS-232C Serial Interface Card

Connectivity (optional)

Lexmark N4000e Fast Ethernet (Print Only), Lexmark N4050e 802.11g Wireless Print Server (Print Only), External MarkNet™ N7020e Gigabit Ethernet, External MarkNet™ N7000e Fast Ethernet (USB), External MarkNet™ N7002e Fast Ethernet (parallel)

Printer Languages (Standard)

Epson Emulation, PPDs

Text Fonts

Fast Draft, Draft, Courier, Gothic, Orator, Presenter, Prestige, Script, 10, 12, 15, 17.1, 20, 24 cpi, Proportional Spaced (PS)

Bar Codes

EAN-8, UPC-A, Code 3 of 9, UPC-E, Codabar (NW-7),

EAN-13, Interleaved 2 of 5, Industrial 2 of 5, Code 128, US Postal (POSTNET 5-digit ZIP Code)

Packaged Size (mm - H x W x D)

325 x 609 x 408 mm

Packaged Size (in. - H x W x D)

12.8 x 24.0 x 16.1 in.

Size (mm - H x W x D)

195 x 492 x 290 mm

Size (in. - H x W x D)

7.7 x 19.4 x 11.4 in.

Weight (kg)

8 kg

Weight (lb.)

17.6 lb.

Acoustics/Noise level (Idle mode)

0 dBA

Acoustics/Noise level (Operating mode)

55 dBA

Maximum Print Line (")

8 inches

Maximum Print Line (mm)

203.2 mm

Product Guarantee

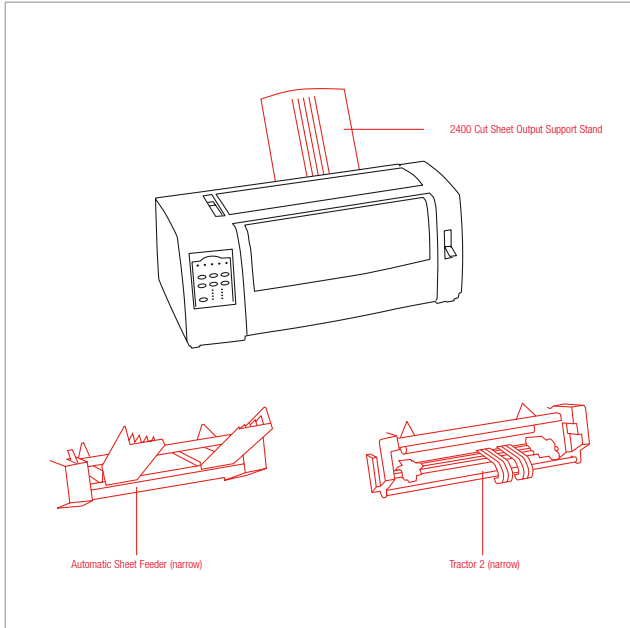
1 Year On Site Repair, next business day response

Product Certifications

Energy Star, UL 60950-1, CSA, FCC Class B, CB IEC 60950-1, SEMKO, GS (TÜV), CE Class B, SMA C-Tick

Specified Operating Environment

Humidity: 8 to 90% Relative Humidity, Temperature: 10 to 40°C (50 to 104°F)



■ Paper Handling Standard
■ Paper Handling Optional

Part #	Model
0011C2564	Lexmark Forms Printer 2590
Part #	Ribbons
0011A3540	23XX, 24XX Standard Ribbon
0011A3550	24XX High Yield Ribbon
Part #	Paper Handling
0012T0693	2480, 2490 Automatic Sheet Feed (narrow)
0012T0695	2480, 2490 Tractor 2
0012T0697	2400 Cut Sheet Output Support Stand
Part #	Connectivity
001021231	Parallel (10') Cable
001021294	USB (2 Meter) Cable
0012T0698	2400 Series Serial Interface Option
0014T0040	Lexmark N4000e Fast Ethernet Print Server
0014T0155	Lexmark N4050e 802.11g Wireless Print Server
0014T0230	MarkNet™ N7000e Fast Ethernet Print Server - USB
0014T0240	MarkNet™ N7002e Fast Ethernet Print Server - Parallel
0014T0220	MarkNet™ N7020e Gigabit Ethernet Print Server
Part #	Extended Warranties
002349642	1 Year Onsite Repair Extended Warranty
002349643	2 Year Onsite Repair Extended Warranty
002349644	3 Year Onsite Repair Extended Warranty

Lexmark Forms Printer 2590n



24-pin printing for narrow forms
– includes built-in networking

Print Technology

24-Pin Dot Matrix

Print Speeds

Up to 465 cps Fast Draft @ 12 cpi, Up to 109 cps Near Letter Quality @ 12 cpi, Up to 328 cps Draft @12 cpi

Resolution

360 x 360 dots per inch

Memory

512 KB

Mean Time Between Failures (MTBF)

12,500 POH @ 25% duty cycle

Linux Operating Systems Supported

Red Hat Enterprise Linux WS 3.0, 4.0, 5.0, SUSE Linux Enterprise Server 8.0, 9.0, 10.0, Debian GNU/Linux 3.1, 4.0, Linspire Linux 5.0, SUSE Linux 10.0, 10.1, 10.2

Microsoft Windows Operating Systems Supported

2000, NT (4.00/4.00 Server), Me, XP, Server 2003, 98 2nd Edition, XP x64, Server 2003 x64, Vista, Vista x64

Novell Operating Systems Supported

Open Enterprise Server for Netware with NDS, iPrint or Novell Distributed Print Services (NDPS), NetWare® 3.2, 4.2 (bindery), NetWare 4.2, 5.x and 6.x (NDS), NetWare 5.x, 6.x with iPrint or Novell Distributed Print Services (NDPS)

UNIX Operating Systems Supported

Sun Solaris SPARC 8, 9, 10, IBM AIX 5.1, 5.2, 5.3, Sun Solaris x86 10, HP-UX 11.11

Paper Handling Optional

Automatic Sheet Feeder (narrow), Tractor 2 (narrow)

Paper Handling Standard

Front Tractor Feeder

Media Sizes Supported

Single-part or multi-part Continuous Forms, Narrow Sheet Fed Paper, Single-part or multi-part Cut Forms

Media Types Supported

Multi-part forms - Up to 1+3 Parts (up to 0.014" or 0.36 mm paper thickness), Single-part forms - 16 to 24 lbs, 60 to 90 gsm (0.0045" or 0.11 mm paper thickness), Forms or Paper - 16 to 24 lbs, 60 to 90 gsm (0.0045" or 0.11mm maximum paper thickness)

Supplies Yield

Optional 8 million characters (draft mode at 10 cpi)- Re-Inking Ribbon, Standard 4 million characters (draft mode at 10 cpi) - Re-Inking Ribbon

Connectivity (standard)

Centronics IEEE 1284 Bidirectional Parallel, Fast Ethernet, USB Compatible with USB 2.0 Specification

Connectivity (optional)

Lexmark N4050e 802.11g Wireless Print Server (Print Only), External MarkNet™ N7020e Gigabit Ethernet

Printer Languages (Standard)

Epson Emulation, PPDs

Text Fonts

Fast Draft, Draft, Courier, Gothic, Orator, Presentor,

Prestige, Script, 10, 12, 15, 17.1, 20, 24 cpi, Proportional Spaced (PS)

Bar Codes

EAN-8, UPC-A, Code 3 of 9, UPC-E, Codabar (NW-7), EAN-13, Interleaved 2 of 5, Industrial 2 of 5, Code 128, US Postal (POSTNET 5-digit ZIP Code)

Packaged Size (mm - H x W x D)

325 x 609 x 408 mm

Packaged Size (in. - H x W x D)

12.8 x 24.0 x 16.1 in.

Size (mm - H x W x D)

195 x 492 x 290 mm

Size (in. - H x W x D)

7.7 x 19.4 x 11.4 in.

Weight (kg)

8 kg

Weight (lb.)

17.6 lb.

Acoustics/Noise level (Idle mode)

0 dBA

Acoustics/Noise level (Operating mode)

55 dBA

Maximum Print Line (")

8 inches

Maximum Print Line (mm)

203.2 mm

Product Guarantee

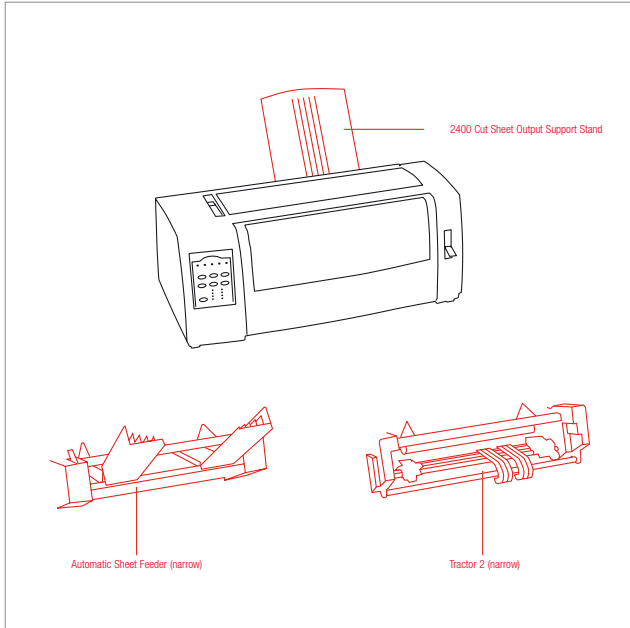
1 Year On site Repair, next business day response

Product Certifications

Energy Star, UL 60950-1, CSA, FCC Class B, CB IEC 60950-1, SEMKO, GS (TÜV), CE Class B, SMA C-Tick

Specified Operating Environment

Humidity: 8 to 90% Relative Humidity, Temperature: 10 to 40°C (50 to 104°F)



■ Paper Handling Standard
■ Paper Handling Optional

Part #	Model
0011C2565	Lexmark Forms Printer 2590n
Part # Ribbons	
0011A3540	23XX, 24XX Standard Ribbon
0011A3550	24XX High Yield Ribbon
Part # Paper Handling	
0012T0693	2480, 2490 Automatic Sheet Feed (narrow)
0012T0695	2480, 2490 Tractor 2
0012T0697	2400 Cut Sheet Output Support Stand
Part # Connectivity	
001021231	Parallel (10') Cable
001021294	USB (2 Meter) Cable
0014T0155	Lexmark N4050e 802.11g Wireless Print Server
0014T0220	MarkNet™ N7020e Gigabit Ethernet Print Server
Part # Extended Warranties	
002349642	1 Year Onsite Repair Extended Warranty
002349643	2 Year Onsite Repair Extended Warranty
002349644	3 Year Onsite Repair Extended Warranty

Lexmark Forms Printer 2591



Letter-quality 24-pin printing for wide forms

Print Technology

24-Pin Dot Matrix

Print Speeds

Up to 465 cps Fast Draft @ 12 cpi, Up to 109 cps Near Letter Quality @ 12 cpi, Up to 328 cps Draft @12 cpi

Resolution

360 x 360 dots per inch

Memory

512 KB

Mean Time Between Failures (MTBF)

12,500 POH @ 25% duty cycle

Linux Operating Systems Supported

Red Hat Enterprise Linux WS 3.0, 4.0, 5.0, SUSE Linux Enterprise Server 8.0, 9.0, 10.0, Debian GNU/Linux 3.1, 4.0, Linspire Linux 5.0, SUSE Linux 10.0, 10.1, 10.2

Microsoft Windows Operating Systems Supported

2000, NT (4.00/4.00 Server), Me, XP, Server 2003, 98 2nd Edition, XP x64, Server 2003 x64, Vista, Vista x64

Paper Handling Optional

Automatic Sheet Feeder (wide), Tractor 2 (wide)

Paper Handling Standard

Front Tractor Feeder

Media Sizes Supported

Single-part or multi-part Continuous Forms, Wide Sheet Fed Paper, Single-part or multi-part Cut Forms

Media Types Supported

Multi-part forms - Up to 1+3 Parts (up to 0.014" or 0.36 mm paper thickness), Single-part forms - 16 to 24 lbs, 60 to 90 gsm (0.0045" or 0.11 mm paper thickness), Forms or Paper - 16 to 24 lbs, 60 to 90 gsm (0.0045" or 0.11mm maximum paper thickness)

Supplies Used

Optional 8 million characters (draft mode at 10 cpi)- Re-Inking Ribbon, Standard 4 million characters (draft mode at 10 cpi) - Re-Inking Ribbon

Connectivity (standard)

Centronics IEEE 1284 Bidirectional Parallel, USB

Compatible with USB 2.0 Specification

Other Attachment Options

RS-232C Serial Interface Card

Connectivity (optional)

Lexmark N4000e Fast Ethernet (Print Only), Lexmark N4050e 802.11g Wireless Print Server (Print Only), External MarkNet™ N7020e Gigabit Ethernet, External MarkNet™ N7000e Fast Ethernet (USB), External MarkNet™ N7002e Fast Ethernet (parallel)

Printer Languages (Standard)

Epson Emulation, PPDs

Text Fonts

Fast Draft, Draft, Courier, Gothic, Orator, Presenter, Prestige, Script, 10, 12, 15, 17.1, 20, 24 cpi, Proportional Spaced (PS)

Bar Codes

EAN-8, UPC-A, Code 3 of 9, UPC-E, Codabar (NW-7),

EAN-13, Interleaved 2 of 5, Industrial 2 of 5, Code 128, US Postal (POSTNET 5-digit ZIP Code)

Packaged Size (mm - H x W x D)

325 x 751 x 408 mm

Packaged Size (in. - H x W x D)

12.8 x 29.6 x 16.1 in.

Size (mm - H x W x D)

195 x 634 x 290 mm

Size (in. - H x W x D)

7.7 x 24.9 x 11.4 in.

Weight (kg)

9.8 kg

Weight (lb.)

21.6 lb.

Acoustics/Noise level (Idle mode)

0 dBA

Acoustics/Noise level (Operating mode)

55 dBA

Maximum Print Line (")

13.6 inches

Maximum Print Line (mm)

345.4 mm

Product Guarantee

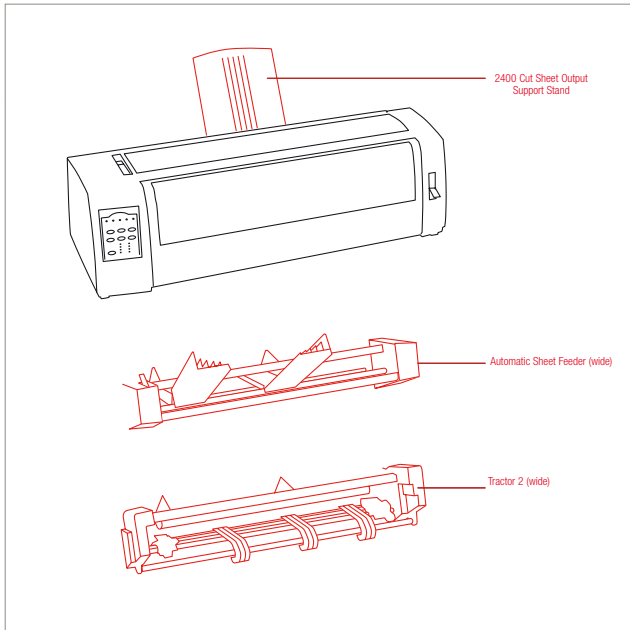
1 Year On Site Repair, next business day response

Product Certifications

Energy Star, UL 60950-1, CSA, FCC Class B, CB IEC 60950-1, SEMKO, GS (TÜV), CE Class B, SMA C-Tick

Specified Operating Environment

Humidity: 8 to 90% Relative Humidity, Temperature: 10 to 40°C (50 to 104°F)



■ Paper Handling Standard
■ Paper Handling Optional

Part # Model

0011C2566 Lexmark Forms Printer 2591

Part # Ribbons

0011A3550 24XX High Yield Ribbon

0011A3540 23XX, 24XX Standard Ribbon

Part # Paper Handling

0012T0694 2481, 2491, 4227+ Automatic Sheet Feed (wide)

0012T0696 2481, 2491 Tractor 2

0012T0697 2400 Cut Sheet Output Support Stand

Part # Connectivity

001021231 Parallel (10') Cable

001021294 USB (2 Meter) Cable

0012T0698 2400 Series Serial Interface Option

0014T0040 Lexmark N4000e Fast Ethernet Print Server

0014T0155 Lexmark N4050e 802.11g Wireless Print Server

0014T0230 MarkNet™ N7000e Fast Ethernet Print Server - USB

0014T0240 MarkNet™ N7002e Fast Ethernet Print Server - Parallel

0014T0220 MarkNet™ N7020e Gigabit Ethernet Print Server

Part # Extended Warranties

002349642 1 Year Onsite Repair Extended Warranty

002349643 2 Year Onsite Repair Extended Warranty

002349644 3 Year Onsite Repair Extended Warranty

Lexmark Forms Printer 2591n



24-pin printing for wide forms
– includes built-in networking

Print Technology

24-Pin Dot Matrix

Print Speeds

Up to 465 cps Fast Draft @ 12 cpi, Up to 109 cps Near Letter Quality @ 12 cpi, Up to 328 cps Draft @12 cpi

Resolution

360 x 360 dots per inch

Memory

512 KB

Mean Time Between Failures (MTBF)

12,500 POH @ 25% duty cycle

Linux Operating Systems Supported

Red Hat Enterprise Linux WS 3.0, 4.0, 5.0, SUSE Linux Enterprise Server 8.0, 9.0, 10.0, Debian GNU/Linux 3.1, 4.0, Linspire Linux 5.0, SUSE Linux 10.0, 10.1, 10.2

Microsoft Windows Operating Systems Supported

2000, NT (4.00/4.00 Server), Me, XP, Server 2003, 98 2nd Edition, XP x64, Server 2003 x64, Vista, Vista x64

Novell Operating Systems Supported

Open Enterprise Server for Netware with NDS, iPrint or Novell Distributed Print Services (NDPS), NetWare® 3.2, 4.2 (bindery), NetWare 4.2, 5.x and 6.x (NDS), NetWare 5.x, 6.x with iPrint or Novell Distributed Print Services (NDPS)

UNIX Operating Systems Supported

Sun Solaris SPARC 8, 9, 10, IBM AIX 5.1, 5.2, 5.3, Sun Solaris x86 10, HP-UX 11.11

Paper Handling Optional

Automatic Sheet Feeder (wide), Tractor 2 (wide)

Paper Handling Standard

Front Tractor Feeder

Media Sizes Supported

Single-part or multi-part Continuous Forms, Wide Sheet Fed Paper, Single-part or multi-part Cut Forms

Media Types Supported

Multi-part forms - Up to 1+3 Parts (up to 0.014" or 0.36 mm paper thickness), Single-part forms - 16 to 24 lbs, 60 to 90 gsm (0.0045" or 0.11 mm paper thickness), Forms or Paper - 16 to 24 lbs, 60 to 90 gsm (0.0045" or 0.11mm maximum paper thickness)

Supplies Yield

Optional 8 million characters (draft mode at 10 cpi)- Re-Inking Ribbon, Standard 4 million characters (draft mode at 10 cpi) - Re-Inking Ribbon

Connectivity (standard)

Centronics IEEE 1284 Bidirectional Parallel, Fast Ethernet, USB Compatible with USB 2.0 Specification

Connectivity (optional)

Lexmark N4050e 802.11g Wireless Print Server (Print Only), External MarkNet™ N7020e Gigabit Ethernet

Printer Languages (Standard)

Epson Emulation, PPDS

Text Fonts

Fast Draft, Draft, Courier, Gothic, Orator, Presentor,

Prestige, Script, 10, 12, 15, 17.1, 20, 24 cpi, Proportional Spaced (PS)

Bar Codes

EAN-8, UPC-A, Code 3 of 9, UPC-E, Codabar (NW-7), EAN-13, Interleaved 2 of 5, Industrial 2 of 5, Code 128, US Postal (POSTNET 5-digit ZIP Code)

Packaged Size (mm - H x W x D)

325 x 751 x 408 mm

Packaged Size (in. - H x W x D)

12.8 x 29.6 x 16.1 in.

Size (mm - H x W x D)

195 x 634 x 290 mm

Size (in. - H x W x D)

7.7 x 24.9 x 11.4 in.

Weight (kg)

9.8 kg

Weight (lb.)

21.6 lb.

Acoustics/Noise level (Idle mode)

0 dBA

Acoustics/Noise level (Operating mode)

55 dBA

Maximum Print Line (")

13.6 inches

Maximum Print Line (mm)

345.4 mm

Product Guarantee

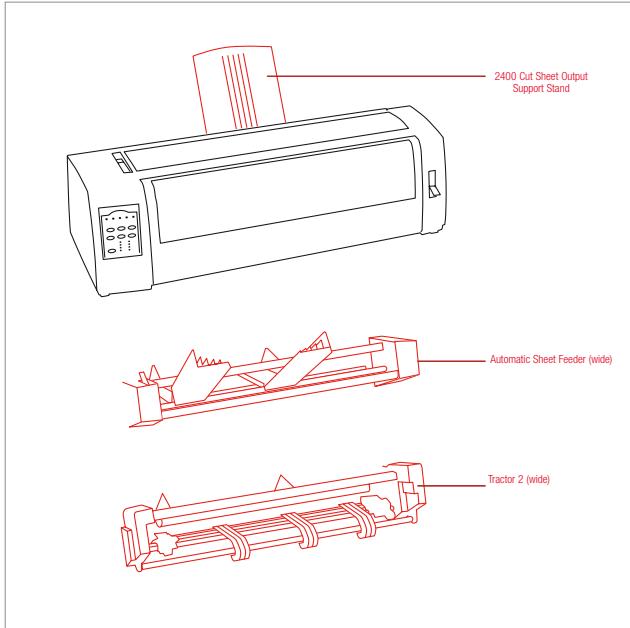
1 Year On site Repair, next business day response

Product Certifications

Energy Star, UL 60950-1, CSA, FCC Class B, CB IEC 60950-1, SEMKO, GS (TÜV), CE Class B, SMA C-Tick

Specified Operating Environment

Humidity: 8 to 90% Relative Humidity, Temperature: 10 to 40°C (50 to 104°F)



■ Paper Handling Standard
■ Paper Handling Optional

Part #	Model
0011C2567	Lexmark Forms Printer 2591n
Part #	Ribbons
0011A3550	24XX High Yield Ribbon
0011A3540	23XX, 24XX Standard Ribbon
Part #	Paper Handling
0012T0694	2481, 2491, 4227+ Automatic Sheet Feed (wide)
0012T0696	2481, 2491 Tractor 2
0012T0697	2400 Cut Sheet Output Support Stand
Part #	Connectivity
001021231	Parallel (10') Cable
001021294	USB (2 Meter) Cable
0014T0155	Lexmark N4050e 802.11g Wireless Print Server
0014T0220	MarkNet™ N7020e Gigabit Ethernet Print Server
Part #	Extended Warranties
002349642	1 Year Onsite Repair Extended Warranty
002349643	2 Year Onsite Repair Extended Warranty
002349644	3 Year Onsite Repair Extended Warranty

Lexmark Forms Printer 4227 plus



Rugged, high-speed, reliable forms printer for unattended printing.

Print Technology

Dual 9-Pin Dot Matrix

Print Speeds

Up to 600 cps Draft @ 10 cpi, Up to 720 cps Fast Draft @ 10 cpi, Up to 150 cps Near Letter Quality @ 10 cpi

Resolution

240 x 144 dots per inch

Memory

60KB (Receive Buffer)

Microsoft Windows Operating Systems Supported

2000, NT (4.00/4.00 Server), Me, XP, Server 2003, 98 2nd Edition, XP x64, Server 2003 x64, Server 2003 x64 running Terminal Services, Vista, Vista x64

Maximum Print Line (")

13.6 inches

Maximum Print Line (mm)

345.4 mm

Product Guarantee

One year on site repair, next business day response time.

Product Certifications

UL 60950-1, CSA, FCC Class B, ICES-003 Class B, CB IEC 60950-1, SEMKO, GS (TÜV), CE Class B, C-Tick Class B, SABS EM 55022 Class B, EN 55024

Specified Operating Environment

Humidity: 8 to 80% Relative Humidity, Temperature: 10 to 40°C (50 to 104°F)

Paper Handling Optional

Automatic Sheet Feeder (wide), Tractor 2 (wide)

Paper Handling Standard

Single Sheet Manual Feed, Front Tractor Feeder

Media Sizes Supported

Single-part or multi-part Continuous Forms, Wide Sheet Fed Paper, Single-part or multi-part Cut Forms

Media Types Supported

Envelopes, Labels, Multi-part forms - Up to 1+7 Parts (up to 0.020" or 0.51 mm paper thickness), Single-part forms - 16 to 24 lbs, 60 to 90 gsm (0.0045" or 0.11 mm paper thickness), Forms or Paper - 16 to 24 lbs, 60 to 90 gsm (0.0045" or 0.11mm maximum paper thickness)

Supplies Yield

Standard 15 million characters (draft mode at 10 cpi)

- Fabric Ribbon

Connectivity (standard)

Centronics IEEE 1284 Bidirectional Parallel, Serial RS232C / RS422

Connectivity (optional)

External MarkNet™ N7002e Fast Ethernet (parallel)

Printer Languages (Standard)

Epson Emulation, PPDs

Text Fonts

Fast Draft, Draft, Courier, Gothic, 10, 12, 15, 17.1, 20 cpi

Packaged Size (mm - H x W x D)

397 x 793 x 422 mm

Packaged Size (in. - H x W x D)

15.6 x 31.2 x 16.6 in.

Size (mm - H x W x D)

275 x 619 x 287 mm

Size (in. - H x W x D)

10.8 x 24.35 x 11.3 in.

Weight (kg)

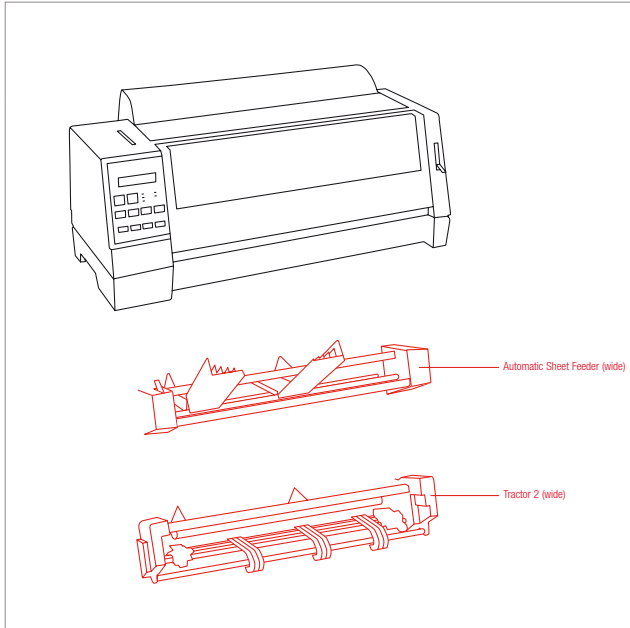
16.5 kg

Weight (lb.)

36.3 lb.

Acoustics/Noise level (Operating mode)

55 dBA



■ Paper Handling Standard
■ Paper Handling Optional

Part #	Model
0013L0180	Lexmark Forms Printer 4227 plus
Part #	Ribbons
0013L0034	Ribbon Forms Printer 4227
Part #	Paper Handling
0012T0694	2481, 2491, 4227+ Automatic Sheet Feed (wide)
0013L0210	4227 Tractor 2
Part #	Connectivity
001021231	Parallel (10) Cable
0014T0240	MarkNet™ N7002e Fast Ethernet Print Server - Parallel
Part #	Extended Warranties
002346452	Total 2 Year OnSite Repair Guarantee (1+1)
002346453	Total 3 Year OnSite Repair Guarantee (1+2)
002346454	Total 4 Year OnSite Repair Guarantee (1+3)
002347598	1 Year OnSite Repair Guarantee Renewal

Electronic Forms, Easy and Effective

Cost savings

- No more preprinted forms
- Reduced storage costs
- Maximise printer investment
- No dedicated server required

Simple powerful design

- Merge programme in printer
- Reduced network traffic
- Forms archive and retrieval
- Central forms management

Increase productivity

- Instant updates of forms
- High-quality forms

Superior compatibility

- No application changes
- Host independent
- Embedded bar code support
- SAP R/3 RDI support.

Eliminate costly, preprinted forms

Forms Card is an easy-to-use, electronic forms package that makes it possible to print forms on demand. Forms Card maximises printer investment with the use of electronic forms. Preprinted forms are expensive to produce, store and handle, plus they can quickly become obsolete, forcing businesses to destroy and reprint them. Forms Card eliminates the need to buy preprinted forms and cuts storage and handling costs. Forms are created and printed as they are needed.

Additionally, forms can be updated with information such as new phone numbers, made available instantly to users.

Easily integrate electronic forms into your business

Forms Card is one of the simplest way of integrating electronic forms into your workplace. It works with any host or network system. Since it generally requires no changes to host applications and as no server or host-based merge programme is necessary, you will find the integration extremely smooth. What's more, because forms are stored at the printer (and merged there), network traffic is reduced and through put is improved.

A simple approach to high-quality electronic forms

Forms Card has an easy-to-use design programme, Forms Composer to create forms. Lexmark Forms Manager⁽¹⁾ allows downloading of the form to the printer's flash or hard disk memory option. Once the electronic form is designed and in the printer, data can be sent directly from your host computer (mainframe, mid-range, PC, etc.) and Forms Card will automatically merge the data with the correct form design and print the completed form. High-quality forms quickly and efficiently.

Productivity enhancing integration

Finally, Lexmark Data Transformer⁽¹⁾ lets you complement and work with Forms Card to give you better control of printing function attributes and data to Forms Card output, for instance sending it to several printers at once. Lexmark Data Transformer⁽¹⁾ will let you manage your output more efficiently with, for instance, fax output via a MultiFunction printing device.

For users requiring bar code printing, extensive bar code support is provided natively in the Forms Card. And Forms Card will also accept and process SAP RDI output.

⁽¹⁾Lexmark Forms Composer, Lexmark Forms Manager and Lexmark Data Transformer are to be used by Lexmark Certified Solution Providers. For more information, please contact your local sales representative. ⁽²⁾ To be used only with Forms Cards. Please, contact your Lexmark sales representative or get in touch with Lexmark's Certified Solution Providers to analyse, implement and managed your migration from hardcopy forms to electronic format.

Forms Card™ is an affordable, compatible and easy-to-implement forms solution designed for fast, high performance printing. Forms Card will help businesses eliminate pre-printed form costs while providing forms that can carry a powerful marketing image directly to their customers.

SOFTWARE REQUIREMENTS

Forms Composer, Forms Manager and Data Transformer are compatible with the following operating systems

V3.3 Component

Forms Composer	Data Transformer, Windows XP Professional SP1, Windows XP Professional SP2
Forms Manager	Windows 2000 Professional SP4, Windows XP Professional SP1, Windows XP Professional SP2
Data Transformer	Windows 2000 Server SP4, Windows Server 2003 Standard Edition

MINIMUM SYSTEM REQUIREMENTS

Pentium processor based personal computer
32 MB of RAM
CD ROM drive
128 MB of available hard drive space

MINIMUM PRINTER REQUIREMENTS

The following is required for use the Forms Card product :
A Forms Card providing the merging software and an additional storage memory (Flash memory or Hard disk) to store the electronic template of the forms.

BAR CODES AVAILABLE

Mono-dimensional : 3 of 9, Code 39, Code 93, Codabar, 2 of 5, EAN/JAN-8, EAN/JAN-13, HIBC128, ISBN, ISSN, ITF14, JIS-S-UCC, MSI, Postnet 5, Postnet 9, Postnet 11, RSS, UCC-EAN 128, UPC-A, UPC-E, USS 128, UCC 128, Planet, Bi-dimensional : Aztec, Codablock F, DataMatrix, EAN/UCC Composite, Maxicode, MicroPDF417, PDF417, QR

ORDERING INFORMATION

FORMS DESIGN AND MANAGEMENT SOFTWARE

Lexmark Forms Composer(2)
Lexmark Forms Manager(2)
Lexmark Data Transformer(2)

Forms Cards DLE

Lexmark T430	0026H0399
Lexmark T63x, X63x	0010G0159
Lexmark T64x	0020G0742
Lexmark X642e	0022G0627
Lexmark X644e, X646e, X646dte	0022G0353
Lexmark W840	0025A0037
Lexmark X85xe	0015R0094
Lexmark C510	0020K1268
Lexmark C524	0018B0144
Lexmark C534	0036B0144
Lexmark C752/L	0015G3203
Lexmark C76x, X76x	0016N3210
Lexmark C77x	0020B3206
Lexmark C920	0013N1345

Forms and Bar Code Card

Lexmark C935	0021Z0363
Lexmark X94x	0021Z0367

Bar Code Application Solution



This Lexmark bar code Application Solution supports PCL and PostScript command access for more than 47 industry standard one-and two-dimensional bar codes.

The Complete Bar Code Solution for Business

Bar code Application Solution

- Multiple 1-D and 2-D bar codes
- OCR-A and OCR-B as scalable and bitmap fonts
- FREESCAPE emulation alternate escape code feature

Compatible with SAP R/3 Visual bar code creation

- Visual bar code Designer application provided
- Generate bar code data quickly and easily

Flexible

- Independently scalable bar heights and widths
- Capability to embed text with selectable positioning
- Data format verification and error reporting
- Automatic bar code data compression

Professional quality bar codes

The Lexmark bar code Application Solution supports 47 industry standard one and two-dimensional bar codes. Bar Codes are generated in the printer for better quality and can be combined with other applications, such as SAP R/3 or Lexmark Optra Forms.

Bar code design made simple

The Lexmark Visual bar code Designer software allows programmers to save hours by visually choosing the bar code type and characteristics they want. The exact PCL escape sequences or PostScript commands needed to create the bar code in the host application are provided.

SAP R/3 device type

The Bar Code Card or SIMM provides SAP R/3 customers with an intelligent, trouble-free solution requiring no additional fonts or software on the server. The supplied device type for SAP R/3 allows utilisation of all functions of the bar code option.

FEATURES SUPPORTED

- Visual bar code Designer application that eliminates trial and error to create the correct commands for a specific bar code in PostScript and PCL
- Support for the new International Printing for mySAP Business Suite font, Andale WorldType in UNICODE 3.0 UTF-8 format.
- PCL and PostScript command access for bar codes in applications
- FREESCAPE emulation alternate escape code feature
- Independently scalable bar heights and widths
- Capability to embed text with selectable positioning
- Data format verification and error reporting
- Automatic bar code data compression (when required)
- Automatic bar code checksum calculation and character placement (when required)
- Automatic placement of special characters (prefix, start/stop, guard bars, etc., when required)
- Selectable fonts and automatic scaling)
- Automatic text printing with selectable placement
- Bar code 3 of 9 standard in Lexmark T430, T63x, X63x, C76x and X762e products

ORDERING INFORMATION

CURRENT

Lexmark T64x	0020G0737
Lexmark X642e	0022G0626
Lexmark X644e, X646e, X646dte	0022G0350
Lexmark W840	0025A0036
Lexmark X85xe	0015R0091
Lexmark C524	0018B0140
Lexmark C534	0036B0140
Lexmark C78x	0010Z0400
Lexmark X782e	0021J0577

SUPPORTED

Lexmark C77x	0020B3201
Lexmark C920	0013N1340
Lexmark T430	0026H0395
Lexmark T52x, T62x, X52x, X620	0011K3800
Lexmark T63x, X63x MFP	0010G0145
Lexmark W812	0014K0072
Lexmark W820, X820e, X83xe	0019E0121
Lexmark C510	0020K1231
Lexmark C752, X752e	0015G3201
Lexmark C76x	0016N3201
Lexmark C912, X912e	0012N1251

SAP R/3 DEVICE TYPES SETTINGS

Adjustable settings in the SAP R/device type includes

Resolution	300 dpi, 600 dpi, 1200 dpi	Multi-up Printing	Off, 2-up, 3-up, 4-up, 6-up, 9-up
Image Quality	Toner Saver, PQET: Off, On	Lexmark W810,	Stapling, offset stacking, W840, T62x, T63x
Print Darkness	5 settings from light to dark		hole punch (not for T62x)
In/out destination	All input trays, all output bins		
Duplex Printing	Long edge, short edge		

1 DIMENSIONAL BAR CODES

- Australian Postal 4-State bar code
- British Royal Mail 4-State Bar Customer Code Symbol (RM4SCC)
- Codabar
- Codabar + mod16 check digit
- Code 128 A, Code 128 B, Code 128 C
- Code 128 autoswitch
- Code 3 of 9
- Code 3 of 9 + check digit
- Code 3 of 9 extended
- Code 3 of 9 extended + check digit
- Code 93, Code 93 extended
- Danish PTT 3 of 9,
- Dutch Postal 4-State bar code
- EAN/JAN-13
- EAN/JAN-13 + 2-digit supplemental
- EAN/JAN-13 + 5-digit supplemental
- EAN/JAN-8
- EAN/JAN-8 + 2-digit supplemental
- EAN/JAN-8 + 5-digit supplemental
- French Postal 3 of 9 A/R
- German Postal 2 of 5 Identcode
- German Postal 2 of 5 Leitcode
- Industrial 2 of 5
- Industrial 2 of 5 + check digit
- Interleaved 2 of 5
- Interleaved 2 of 5 + check digit
- ISBN, ISBN+5, ISSN, ISSN+5, ISSN+2
- Japan Postal 4-State bar code
- Matrix 2 of 5
- Matrix 2 of 5 + check digit
- MSI (Plessey)
- MSI + mod10 + mod10 check digits
- MSI + mod11 + mod10 check digits
- MSI, MSI + mod10 check digits
- POSTNET 11-digit Delivery Point Code
- POSTNET 5-digit ZIP Code
- POSTNET 9-digit ZIP + 4 Code
- Singapore Postal 4-State bar code for customer Encoding
- Swiss postal bar code
- UCC 128, EAN 128
- UPC-A
- UPC-A+2-digit supplemental
- UPC-A+5-digit supplemental
- UPC-E
- UPC-E+2-digit supplemental
- UPC-E+5-digit supplemental
- US Postal Service - Face Indicator Marking (FIM)
- USPS Expanded POSTNET
- USPS sack label, 8-digit 2 of 5
- USPS tray label, 10-digit 2 of 5

2 DIMENSIONAL BAR CODES

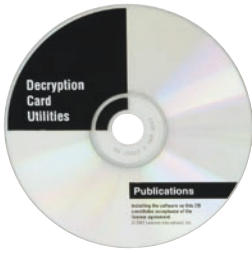
PDF 417

UPS MaxiCode

BAR CODE RELATED FONTS

Letter Gothic	Scalable	EAN/UPC 13 mil	Bitmap
Code 3 of 9 - 4.69 pitch	Bitmap	USPS POSTNET	Bitmap
OCR-A	Bitmap	Euro and other currency symbols	Scalable
OCR-A	Scalable	Electrical symbols	Scalable
OCR-B	Scalable	Manufacturing symbols	Scalable
Code 3 of 9 - 8.11 pitch	Bitmap	Line Draw	Bitmap
EAN/UPC 10 mil	Bitmap		

PrintCryption™ Application Solution



High-level Security Protection for Business

Provides a higher level of security with minimal administrator support

Strengthens security for proprietary and confidential information when transmitted over a TCP/IP network

Supports secure key management protocols with session keys or persistent keys

Ideal for businesses handling sensitive or personal information, such as financial institutions, government agencies and healthcare organisations

AES encryption meets FIPS-197 requirements (Federal Information Processing Standard)

Lexmark has extended its technology leadership with the introduction of the Lexmark PrintCryption™ Application Solution designed to protect sensitive information as it is printed. The new Lexmark PrintCryption™ Application Solution delivers encryption and decryption capabilities for secure printing to Lexmark network printers. This new level of printing security is ideal for businesses handling highly confidential, personnel, financial, medical, technical or propriety business information.

Product overview

The PrintCryption™ Solution provides corporate environments with strengthened printing security.

The new Lexmark PrintCryption™ Solution works with software from Levi, Ray and Shoup, Inc. (LRS), VPS/TCPIP 8.0 or later and VPS/Secure 8.0 or later, to provide encrypted, end-to-end print job security between common mainframe and Windows systems and wired or wireless Lexmark network printers.

A command line utility (DCP) is used to encrypt print jobs for Linux, Sun Solaris, HP-UX and IBM AIX.

Compatibility

The Lexmark PrintCryption™ Application Solution provides support for the Advanced Encryption Standard (Rijndael algorithm). The printer must be connected to the TCP/IP network using the standard Ethernet connection in the network printer models. Unique TCP/IP port numbers are used for the encrypted print information. The card decrypts and prints the information appropriate for the port.

The PrintCrypton™ Application Solution for Lexmark multi-function devices and network printers is designed to provide security for proprietary and confidential documents.



PrintCrypton document from PC



Printer enabled with PrintCrypton



ORDERING INFORMATION

CURRENT

Lexmark T64x	0020G0740
Lexmark X642e	0022G0628
Lexmark X644e, X646e, X646dte	0022G0352
Lexmark X85xe	0015R0093
Lexmark W840	0025A0034
Lexmark C524	0018B3035
Lexmark C534	0036B0147
Lexmark C78x	0010Z0403
Lexmark C935	0021Z0366
Lexmark X94x	0021Z0370

SUPPORTED

Lexmark C77x	0020B3204
Lexmark C920	0013N1343
Lexmark T430	0026H0397
Lexmark T52x/T62x/X52x/X620	0011K4400
Lexmark T63x / X63x MFP	0010G0149
Lexmark X912e	0012N1253
Lexmark W812	0014K0076
Lexmark W820, X820e / X83xe	0019E0123
Lexmark C510	0020K1232
Lexmark C752 / X752e	0015G3204
Lexmark C76x / X762e	0016N3204
Lexmark C912	0012N1253

PACKAGE CONTENTS

- Lexmark PrintCrypton™ Card
- Installation instruction sheet (French, German, Italian, Spanish, English and Portuguese)
- CD-ROM with the license agreement, README in PDF format and encryption software. Use selected UNIX and Windows system environment.
- Encryption software is included to secure and support print data sent from supported systems Sun Solaris (7, 8, 9), Linux (Red Hat 7, 8, Caldera 3.1, SuSE 8), Microsoft Windows (98, Me, NT 4.0, 2000 and XP), *Apple Mac OS X, HP-UX 10, 11, and *IBM AIX 4.3, 5.0.

EXPORT RESTRICTIONS

These products have been classified by the US Bureau of Industry and Security under ECCN 5D002 (c.1) as retail PrintCrypton items exportable to certain countries under License Exception ENC, Section 740.17 (b) (3) of the Export Administration Regulations.

These products are subject to U.S. export control laws and may be subject to export or import regulations in other countries. Licenses and approvals to export, re-export, or import this product may be required after delivery.

These products may not be exported or re-exported to any countries (or any nationals of such countries) that support international terrorism, including, but not limited to, Cuba, Iran, Iraq, Libya, North Korea, Sudan and Syria.

These products may not be exported for use in the design, development, production or use of nuclear, biological or chemical weapons.

IPDS and SCS / TNe Application Solution



Affordable, Flexible Host-Based Printing

AFP/IPDS or SCS printing over TCP/IP

Supported in both mono and colour laser printers

Concurrent support for multiple datastreams

Supports resident scaleable fonts

Emulation of common IBM IPDS and SCS printers

Provides traditional coax or twinax printing if needed

The Affordable Application Solution

Lexmark Application Solution for IPDS and SCS/TNe is an inserted card that provides customers a way to print all types of output, host-based or client-based, on their network-attached Lexmark laser multifunction device or printer. With the Lexmark Card for IPDS and SCS/TNe businesses can use their multi-function devices and printers for both network printing and for IBM AS/400 or mainframe jobs. Printing bar codes, forms, publications and graphics can be done with ease. Now enterprises can realise the cost and time savings associated with true distributed printing.

Assured Compatibility

The Lexmark Application Solution for IPDS and SCS/TNe option for network-attached multifunction devices and printers provides IBM IPDS or SCS printer emulation. Without any changes to host applications or software, businesses will be able to direct their legacy output (AFP/IPDS or SCS) across your LANs using today's popular TCP/IP protocol. The solution is also compatible with IBM mainframe or IBM AS/400 applications that generate SCS (LU1) output or with applications that output AFP/IPDS through Print Services Facility (PSF).

Configuration Freedom

Maximise investment and productivity by locating your Lexmark multifunction device or printer whenever you need it, while maximising productivity. Thanks to Lexmark's SmartSwitch auto-emulation sensing built into almost all Lexmark printers, printers will automatically switch to the proper document language, whether it is SCS, IPDS, PostScript or PCL emulation.

Easy Network Attachment

With Lexmark's Card option, customers can easily migrate from coax or twinax cable connections to Ethernet. To help in the process, Lexmark provides customers a range of both internal and external print servers and adapters for use on Fast Ethernet, 802.11g Wireless, Fibre, and Token Ring networks. For those needing a traditional connection, the Coax/Twinax Adapter for SCS is also available.

(1) Requires Coax/Twinax Adapter for SCS p/n 11K4120. (2) PDS Advanced Function PRPQ required



The application solution designed for AFP/IPDS or SCS printing over TCP/IP to Lexmark network laser multifunction devices and printers.

ORDERING INFORMATION

CURRENT

Lexmark T64x	0020G0738
Lexmark X644e, X646e, X646dte	0022G0351
Lexmark X85xe	0015R0092
Lexmark W840	0025A0032
Lexmark C77x	0010Z0401
Lexmark X782e	0021J0579
Lexmark C935	0021Z0364
Lexmark X94x	0021Z0368

SUPPORTED

Lexmark C77x	0020B3202
Lexmark C920	0013N1341
Lexmark T430	0026H0396
Lexmark T63x, X63x MFP	0010G0147
Lexmark X912e	0012N1729
Lexmark W820, X820e, X83xe	0019E0122
Lexmark W812	0014K0071
Lexmark C76x	0016N3202

COAX/TWINAX ADAPTER

CURRENT

Lexmark T64x	0014S0240
Lexmark X85xe, X64x	0014S0240
Lexmark W840	0014S0240
Lexmark C78x	0014S0240
Lexmark C935	0014S0240
Lexmark X94x	0014S0240

SUPPORTED

Lexmark T63x, X63x MFP	0014S0240
Lexmark W820, X820e, X83xe	0014S0240
Lexmark C912	0014S0240
Lexmark W812	0014S0240
Lexmark X912e	0014S0240

MEMORY REQUIREMENTS

6MB minimum

NETWORK ATTACHMENT

Hardware

- Standard Ethernet (100BaseTX/10BaseT)
- Network printer port
- MarkNet N2000, N2100, N8000 series of network print servers
- MarkNet X2000 (AFP/IPDS only)

Software for AFP/IPDS Printing over

- TCP/IP PSF/MVS V2.2 or later
- PSF/MVS V3.1 or later
- PSF/VSE Version 2.2 with APAR/PTF: DY45247/UD51162
- PSF/VM Version 2.1 with APAR PQ39895 (PTF UQ45995)
- IBM iSeries or AS/400 OS/400 V3R1, V3R2, V3R6, V3R7, V4R1, V4R2, V4R3, V4R4, V5R1, V5R2 or later through PSF
- PSF for OS/2 (PSF/2) 2.0
- PSF for AIX (PSF/6000) 2.1 or later

Software for SCS LU1 Printing using a Gateway and TCP/IP

If TN3270E or TN5250 capable SNA gateway software supports the TN3270E or TN5250 protocol according to RFC 2355, then a TN3270E or TN5250 session can be used to print SCS jobs directly from a mainframe or AS/400 TN3270E or TN5250 session can be used to print SCS jobs directly from a mainframe or AS/400

Software for SCS LU1 Printing over TCP/IP

- IBM iSeries or AS/400 for TN5250E SCS LU1 printing as an IBM 3812-01 printer: IBM iSeries or AS/400 OS/400 V3R7 or later with all PTFs applied
- IBM Mainframe for TN3270E SCS (LU1) printing as an IBM 3287 printer: IBM Communications Server (CS) for OS/390 Version 2 Release 5 or later on ESA systems
- TCP/IP for MVS Version 3 Release 2 or later
- TCP/IP for VM/ESA Version 2 Release 4 or later (function level 310 or later)
- TCP/IP for VSE/ESA V1 R3 or later using General Print Server Feature
- Using Cisco 7500 Series Routers

DIRECT TWINAXIAL ATTACHMENT(1)

Hardware

- IBM 3174 Control Unit
- ES/9000 Work Station Subsystem Controller Software

Any application or host software that generates the data stream for one of the emulated printers such as:

- PSF/MVS V2.2 or V3.1 or later
- PSF/VSE V2.2.1, 2.2.0

- PSF/VM V2.1.1, 2.1.0 (with maintenance)
- VTAM Printer Support R70 or later (VPS, VPS/IPDS Levi, Ray and Shoup software)
- GDDM V2.3 with APAR
- RSCS V3.2 or later

DIRECT COAXIAL ATTACHMENT(1)

Hardware

- IBM iSeries or AS/400e servers, e-systems or Twinaxial Workstation Controllers
- 5494 or 5394 Remote Control Unit

Software

- AS/400 PSF/400 V3R1 to V5R2
- AS/400 OS/400 V3R1 to V5R2
- AS/400 OS/400 V3R6 with System Support Program (SSP) Release 7.5⁽²⁾
- AS/400 SSP Release 7.1(2)

Lexmark Print Servers

Six great reasons to connect with Lexmark!



Cost-efficiency

Network printing is smart for every businesses bottom line. By connecting your printer with a Lexmark print server, you can significantly boost workflow efficiency, drive down capital expenses, save money on supplies and consumables and reduce maintenance intervention.

Optimal performance

Now you can leverage all the power and performance of your Lexmark printer, no matter what type of network you have. You can also break free from cables with our 802.11g wireless print servers, which let you place your printers wherever they're most productive for your business.

Top-notch security

For greater peace of mind, Lexmark's N8000 series are armed with the latest 802.1x authentication methods to ensure your applications are protected. Plus, our N8050 802.11g wireless print server offers WPA-Enterprise security for high-level data protection, password controls, user restrictions and much more.

INTERNAL PRINT SERVERS

Boost business productivity by attaching your Lexmark devices directly to your network with one of these high-performance print servers. There's one for every need, including Fast Ethernet, Gigabit Ethernet, Fibre and 802.11g wireless...

Fast Ethernet print server

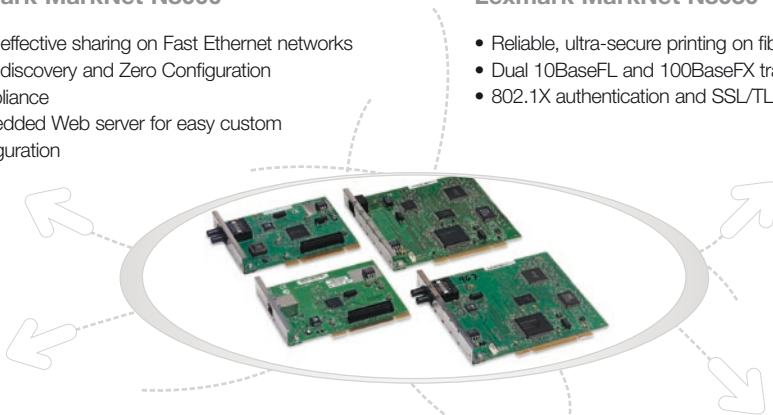
Lexmark MarkNet N8000

- Cost-effective sharing on Fast Ethernet networks
- Auto-discovery and Zero Configuration compliance
- Embedded Web server for easy custom configuration

Fibre Ethernet print server

Lexmark MarkNet N8030

- Reliable, ultra-secure printing on fibre networks
- Dual 10BaseFL and 100BaseFX transceivers
- 802.1X authentication and SSL/TLS security



Gigabit Ethernet print server

Lexmark MarkNet N8020

- High-speed performance for Gigabit Ethernet networks
- Compatible with both Fast and Gigabit Ethernet networks
- 802.1X authentication and SSL/TLS security

802.11 Wireless print server

Lexmark MarkNet N8050

- Wi-Fi certified
- WPA-Enterprise security for high-level data protection
- Backwards compatible with 802.11b products

Simplified network management

Lexmark's internal and external print servers support Lexmark's award-winning MarkVision Professional software, which lets you manage your network of devices easily and effectively. MarkVision also provides proactive tools, such as automated email alerts for low toner and paper.

Very easy set-up

Whether you're working in a Windows or Mac environment, you can benefit from auto-discovery and zero configuration to be up and running quickly, with virtually no interruption to your business. You can also use the embedded Web server for hassle-free custom-configuration.

Flexible and future-proof

In addition to being compatible with multiple network types, Lexmark servers support most standards and applications, including TCP/IP, IPP, IPX/SPX and AppleTalk printing. For further investment protection, you can also upgrade easily to the latest features, using downloadable firmware updates.



EXTERNAL PRINT SERVERS

Lexmark's external print servers offer businesses an easy and affordable way to place a Lexmark or third-party laser, inkjet or dot matrix printer in just about any major network environment...

Fast Ethernet

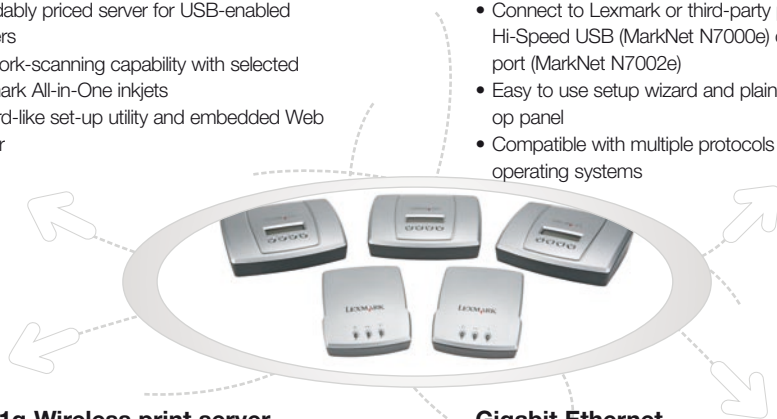
Lexmark N4000e

- Affordably priced server for USB-enabled printers
- Network-scanning capability with selected Lexmark All-in-One inkjets
- Wizard-like set-up utility and embedded Web server

Fast Ethernet

Lexmark MarkNet N7000e & N7002e

- Connect to Lexmark or third-party printers via Hi-Speed USB (MarkNet N7000e) or Parallel port (MarkNet N7002e)
- Easy to use setup wizard and plain text LCD op panel
- Compatible with multiple protocols and operating systems



802.11g Wireless print server

Lexmark N4050e

- Easy set-up via USB connection
- WPA (Wi-Fi Protected Access) Personal Security
- Network-scanning capability with selected Lexmark All-in-One inkjets

Gigabit Ethernet

Lexmark MarkNet N7020e

- Connects to Lexmark or third-party printers via 4 Hi-Speed USB ports
- Printer pooling
- Advanced network management with MarkVision Professional

Lexmark Print Servers

Internal Print Servers

NETWORK CAPABILITIES	MARKNET N8000 SERIES
Network Printing Methods	
LPR/LPD	●
Direct IP (Port 9100)	●
Socket (Raw TCP/IP)	●
IPP 1.0 (Internet Printing Protocol)	●
IPP 1.1	
HTTP	●
Lexmark Enhanced TCP/IP Print Port (port 9400)	●
NDS Queue-based printing	●
NDPS/NEPS (Novell Distributed Print Services, Novell Netware Enterprise Print Solutions)	●
Browser Supported	
Microsoft Internet Explorer 5.x, 6.x (or later)	●
Netscape Navigator 6.x, 7.x (or later)	●
Apple Mac OS X Safari 1.0 (or later)	●
Mozilla FireFox 1.0 (or later)	●
Protocols	
TCP/IP (IPv4)	●
NetWare (IPX/SPX)	●
AppleTalk	●
LexLink (DLC/LLC)	●
IPv6	●
Advanced Security Features	
SSL Enabled Embedded Web Server	●
SNMPv3	●
TCP/IP port access control	●
Authenticated & encrypted MarkVision Professional communication	●
802.1x Authentication: MD5, MSCHAPv2, LEAP, PEAP, TLS, TTLS	●
WEP Encryption (64- and 128-bit key)	●
WPA™ - Personal	●
IPSec	●
WPA™ - Enterprise	●
Function may vary by printer or MFP.	●
Product Compatibility	
	T64x, W840, C524, C534, C77x, C78x, C920, C935 (Also C510, C752, C76x, T63x for MarkNet N8000)
MarkVision Supported	
	Yes
Upgradeable Firmware	
	Yes
Operating Systems Supported	
	Microsoft Windows (98 2nd edition, 2000, NT, ME, XP, Server 2003), Novell Netware (3.2, 4.2, 5.x and 6.x, 6.x with iPrint, NDPS), Red Hat Enterprise Linux WS 3.0, 4.0, SuSE Linux Enterprise Server 8.0, 9.0, SuSE Linux Professional 9.0, 9.1, 9.2, Debian GNU/Linux 3.0, Linspire Linux 4.5, HP-UX 11.00, 11.11, IBM AIX 5.1, 5.2, 5.3, IBM series, Apple Mac OS X, OS 9.x

Specifications are subject to change without notice. Lexmark, Lexmark with diamond design is trademark of Lexmark International, Inc. registered in the United States and or other countries. All other trademarks are the properties of their respective owners.

External Print Servers

NETWORK CAPABILITIES	N4000 SERIES	MARKNET N7000E MARKNET N7002E	MARKNET N7020E
Network Printing Methods			
LPR/LPD	●	●	●
Direct IP (Port 9100)	●	●	●
IPP 1.0	●	●	●
IPP 1.1		●	●
HTTP	●	●	●
Lexmark Enhanced TCP/IP Print Port (port 9400)		●	●
NDS Queue-based printing		●	
NDPS/NEPS (Novell Distributed Print Services, Novell Network Enterprise Print Solutions)		●	●
Browser Supported			
Microsoft Internet Explorer 5.x, 6.x (or later)	●	●	●
Netscape Navigator 6.x, 7.x (or later)	●	●	●
Apple Mac OS X Safari 1.0 (or later)	●	●	●
Mozilla FireFox 1.0 (or later)	●	●	●
Protocols			
TCP/IP (IPv4)	●	●	●
IPv6		●	●
NetWare (IPX/SPX)		●	
AppleTalk		●	
Advanced Security Features			
SSL Enabled Embedded Web Server		●	●
SNMPv3		●	●
TCP/IP port access control		●	●
Authenticated & encrypted MarkVision Professional communication		●	●
802.1x Authentication: MD5, MSCHAPv2, LEAP, PEAP, TLS, TTLS		●	●
WEP Encryption (64- and 128-bit key)	●		
WPA™ - Personal	●		
IPSec		●	●
WPA™ - Enterprise			
Product Compatibility			
	All USB enabled printers	All USB enabled printers for MarkNet N7000e, and all parallel port printers for MarkNet N7002e	All USB enabled printers
MarkVision Supported			
	No	Yes	Yes
Upgradeable Firmware			
	Yes	Yes	Yes
Operating Systems Supported			
	Microsoft Windows (95, 98, Me, NT 4.0, 2000, XP and Server 2003), Apple Mac OS X (10.2 or later - Apple Zero Configuration compatible), Red Hat and SuSE Linux and HP-UX, IBM AIX and Sun Solaris	Microsoft Windows (98 2nd edition, 2000, NT, ME, XP, Server 2003), Novell Network (3.2, 4.2, 5.x and 6.x, 6.x with iPrint, NDPS), Red Hat Enterprise Linux WS 3.0, 4.0, SuSE Linux Enterprise Server 8.0, 9.0, SuSE Linux Professional 9.0, 9.1, 9.2, Debian GNU/Linux 3.0, Linspire Linux 4.5, HP-UX 11.00, 11.11, IBM AIX 5.1, 5.2, 5.3, IBM series, Apple Mac OS X, OS 9.x	Microsoft Windows (98 2nd edition, 2000, NT, ME, XP, Server 2003), Novell Network (5.x and 6.x, 6.x with iPrint, NDPS), Red Hat Enterprise Linux WS 3.0, 4.0, SuSE Linux Enterprise Server 8.0, 9.0, SuSE Linux Professional 9.0, 9.1, 9.2, Debian GNU/Linux 3.0, Linspire Linux 4.5, HP-UX 11.00, 11.11, IBM AIX 5.1, 5.2, 5.3, IBM series, Apple Mac OS X

MarkVision Professional



Powerful Remote Multifunction Device and Printer Management

Pro-active Monitoring

- Real-time remote operator panel and printer status
- Real-time filterable notification of printer conditions
- Perform tasks automatically depending on printer conditions

Confidence for your Help Desk

- Monitor both Lexmark and 3rd Party multifunction devices and printers
- Apply enhanced secure communications settings quickly
- Install and configure multiple devices simultaneously

Simple, flexible interface

- Customise most important tasks on a single home page
- Group devices logically by any criteria using dynamic filters
- Find printers easily and quickly using multiple methods

Pro-active real-time remote management.

MarkVision Professional is designed to reduce the overall cost of network printing services while increasing the availability and variety of printing resources for all users. With more and more print devices distributed across organisations, the need for a printer and multifunction device management tool has become even more critical. MarkVision Professional makes it easy to set up, manage and maintain your printers and multifunction devices, while increasing productivity across your enterprise.

A solution that satisfies IT and your Helpdesk center.

MarkVision Professional gives you the ability to monitor, configure and manipulate networked printer and multifunction devices in your enterprise, including those at different sites, in real time from one central point or through a web browser anywhere in the company.

This will help in preventing and if necessary resolving printing problems quickly and cost effectively.

Go one step further and automate processes!

Inside MarkVision Professional, the MarkVision Messenger listens for certain printer events to occur, then sends an alert automatically when that condition arises. It provides real-time notification of printer conditions via e-mail, paging or other applications. It also facilitates automated response to any alert before it becomes critical and disruptive to user productivity.

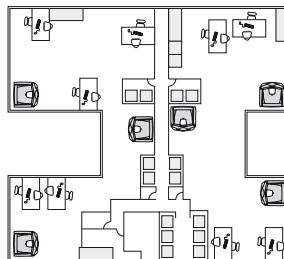
Too many printers, too little time?

MarkVision Professional lets you organise your printers into a tree-like structure similar to that of a corporate organisational chart. In this way, you can locate and monitor those devices quickly and easily.

A Home Task Page allows users to create groups of tasks by adding or removing tasks to fit the organisation's needs.

When you have many printers on your network, being able to choose and view only those mission-critical printers or any other priority printer condition you can formulate, is essential. MarkVision Professional can automatically group devices into folders based on real-time status alerts, or filters.

The MarkVision Professional™ print management application increases end-user productivity while reducing IT and Helpdesk cost through easy-to-use remote problem prevention and resolution.



SERVER AND CLIENTS ENVIRONMENTS SUPPORTED

These are true for both installations except where stated

- Windows 98/Me/XP (client only)
- Windows NT 4.0/2000/XP/ Server 2003
- HP-UX 11.00
- Mac Client Server OSX
- Novell Server
- IBM AIX 5.1, 5.2
- Sun Solaris 2.6, 9
- SuSE Linux 7.1, 7.2, 7.3, 8.0
- RedHat Linux 7.1, 7.2, 7.3, 8.0

FEATURES SUPPORTED

- Plug-in support for new devices and functions to reduce need for re-installing the software
- Customisable user interface
- Remote Printer Monitoring and Management
- Real-time pro-active alerts with filtering
- User Accounts and groups
- Dynamic device folders and filters
- Quick printer find
- Scheduled tasks
- Automatic TCP/IP and IPX discovery
- Management of other manufacturers printers
- Links to multiple web pages
- Runs as an application or in a browser
- Customisable home Task page

LEXMARK CONNECTIVITY SUPPORTED

- MarkNet N2000, N8000 and X2000 Series print servers

NETWORK PRINTERS SUPPORTED*

Full bi-directional (NPAP)

- Opra Family of Laser Printers
- Lexmark T, C, W
- Lexmark E323n, E332n
- Lexmark MFP range - X52x, X62x, X63x, T63x, T64x, X422, X64x, X720, X750e, X752e, X762e, X772, X85xe, X912e, X83xe, X50x, X782e, X94xe, C78x, C935

Using SNMP

- Any common-MIB compliant printer or MFP
- Specific support is provided for:
 - Brother HL-1470N Series
 - Brother HL-1650/1670N Series
 - Brother HL-2460 Series
 - Canon GP 200D
 - Canon Image Class 2100
 - Canon imageRUNNER 330/400, 500, 600, Canon 2800 and 5000i
 - HP 2000, 2500C
 - HP 8550MFP, 8550GM, 2250TN
 - HP Colour LaserJet 4550, 8500
 - HP Colour LaserJet 2500, 3700, 5500, 4600
 - HP LaserJet 4100 Series and 4100 MFD

- IBM Infoprint 20, 21
- IBM Network Printer 12, 17
- Konica KL-3015
- Kyocera FS-1700/1750, FS-3700+/3750, FS-7000/9000/9000DN- Kyocera FS 1800/3800
- Minolta Colour PageWorks, PageWorks 20
- Minolta-QMS Magicolor 2200 and 3100
- NEC SuperScript 1800
- QMS Magicolour 2, 6100
- Ricoh Aficio 450/455, 550, 650, 750, 850, 180, 270, modem 1045
- Ricoh Aficio 350/355
- Ricoh AP3800C Series
- Tektronix Phaser 350, 550, 560, 740E, 780GN, 840DX, 750dx, 750, 850
- Xerox DocuColour 4CP
- Xerox DocuColour 2006
- Xerox Document Centre 220ST, 230ST, 240ST, 440six, 332ST, 340ST, 265ST
- Xerox DocuPrint 4512, C55/C55mp

Lexmark Compatibility Table and Options

DESCRIPTION	PART #	MODEL
PAPER HANDLING		
+ Automatic Sheet Feed (wide)	0012T0694	2481, 2491, 2581/n, 2591/n, 4227
150-Sheet Paper Tray	0030B0199	X950, X9575
2 x 500-Sheet Drawer	0015R0146	W840/d/n/n, X850e
200-Sheet Universally Adjustable Drawer	0020G1223	T640/dn/dm/n/n, T642/dtm/n/n, T644/dtn/n/n, X642e, X644e, X646dte/e
200-Sheet Universally Adjustable Tray	0020G1224	T640/dn/dm/n/n, X642e, X644e, X646dte/e
2000-Sheet Dual Input	0015R0120	W840/d/n/n, X850e
2000-Sheet High Capacity Feeder	0020B2700	C772dn/dm/n, C782/dn/dm/h
2000-Sheet High Capacity Feeder	0020G0893	T640/dn/dm/n/n, T642/dtm/n/n, T644/dtn/n/n, X642e, X644e, X646dte/e
2400 Cut Sheet Output Support Stand	0012T0697	2480, 2481, 2490, 2491, 2580/n, 2581/n, 2590/n, 2591/n
250-Sheet Drawer	0020G0889	T640/dn/dm/n/n, T642/dtm/n/n, T644/dtn/n/n, X642e, X644e, X646dte/e
250-Sheet Drawer	0028H0000	T430/d/dn
250-Sheet Drawer	0033S0860	E250/d/dm, E350d, E352dn, E450/dn
250-Sheet Duplex Unit	0020G0887	T640/n/n/n
250-Sheet Primary Tray	0026H0350	T430/d/dn
250-Sheet Tray	0020G0879	T640/dn/dm/n/n
2520-Sheet High Capacity Feeder Stand	0021Z0304	C935dn
2x550-Sheet Drawer Printer Stand	0013N1782	C920/dn/dtm/h
3500-Sheet Finisher (4-Hole)	0021Z0310	C935dn/dm/dtm/h/dn, X940e, X945e
3x20-Sheet Drawer Stand	002Z0305	C935dn
400-Sheet Universally Adjustable Drawer	0020G1218	T640/dn/dm/n/n, T642/dtm/n/n, T644/dtn/n/n, X642e, X644e, X646dte/e
400-Sheet Universally Adjustable Tray	0020G1217	T642/dtm/n/n, T644/dtn/n/n, X642e, X644e, X646dte/e
5-Bin Mailbox	0020B3000	C772dn/dm/n, C782/dn/dm/n
5-Bin Mailbox	0020G0895	T640/dn/dm/n/n, T642/dtm/n/n, T644/dtn/n/n
500-Sheet Drawer	0018B2100	C52h, C524/dn/n
500-Sheet Drawer	0020B2300	C770dn/n, C772/dn/dtm/n, C780dn/n, C782dn/dm/n
500-Sheet Drawer	0020G0890	T640/dn/dm/n/n, T642/dtm/n/n, T644/dtn/n/n, X642e, X644e, X646dte/e
500-Sheet Drawer	0028H0002	T430/d/dn
500-Sheet Duplex Unit	0020G0888	T642/n/n, T644/n/n, X642e, X644e, X646e
500-Sheet Tray	0020B2373	C770dn/dm/n, C772/dn/dm/h, C780dn/dm/n, C782dn/dtm/h, X772e, X782e
500-Sheet Tray	0020G0884	T640dn/n/n, T642/dtm/n/n, T644/dtn/n/n, X642e, X644e, X646dte/e
520-Sheet Drawer Stand with Cabinet	002Z0307	C935dn

Lexmark Compatibility Table and Options

DESCRIPTION	PART #	MODEL
PAPER HANDLING		
530-Sheet Drawer	0022R0194	C500n, X500n, X502n
550-Sheet Drawer	0013N1778	C920/dn/dtn/h
550-Sheet Drawer	0028S0802	E240/n, E340, E342n
550-Sheet Drawer	0028S0803	E250d/dn, E350d, E352dn, E450dn, X340/n, X342n
550-Sheet Drawer	0038B1600	C532dn/h, C534dn/h
550-Sheet Drawer Stand	0014A1120	X560dn/h
Adjustable Output Label Support	0020G1360	T640/dn/dtm/h/h, T642/dtm/n/h, T644/dtm/h/h
Automatic Sheet Feed (narrow)	0012T0693	2480, 2490, 2580/n, 2590/n
Banner Media Tray	0013N1360	C920/dn/dtm/h
Banner Media Tray	0020B5000	C772dn/dtm/n, C782/dn/dtm/n, X772e, X782e
Booklet Finisher (2/4-Hole)	001SR0336	X850e, X852e, X854e
Booklet Finisher (4-Hole)	0021Z0311	C935dn/dtm/dtm/h/dn, X940e, X945e
Duplex Unit	0013N1783	C920/n
Duplex Unit	0014A1121	X560n
Duplex Unit	0020B2400	C770n, C772n, C780n, C782n
Duplex Unit	0025A0015	W840/n
Envelope Drawer	0010Z3100	C782dn/dtm/n
Envelope Drawer	0020B3100	C772dn/dtm/n
Envelope Feeder	0020G0891	T640/dn/dtm/h/h, T642/dtm/n/h, X642e, X644e, X646dte/ef
High Capacity Feeder	0013N1781	C920/dn/dtm/h, X912e
High-Capacity Output Stacker	0020G0896	T640/dn/dtm/h/h, T642/dtm/n/h, T644/dtm/h/h
Horizontal Kiosk Presenter	0011K4648	T630/dn/h, T632n, T634/dn/dtm/h/h, T640/dn/dtm/h/h, T642/dtm/n/h, T644/dtm/n/h
Outdoor Media Drawer	0020B3340	C772dn/dtm/n, C782/dn/dtm/h
Output Expander	0020B3050	C772dn/dtm/n, C782/dn/dtm/n
Output Expander	0020G0894	T640/dn/dtm/h/h, T642/dtm/n/h, T644/dtm/h/h
Staple Punch Finisher (3-Hole)	0013N1784	C920/dn/dtm/h
Staple Punch Finisher (4-Hole)	0013N1785	C920/dn/dtm/h
StapleSmart Finisher	0020B3060	C772dn/dtm/n, C782/dn/dtm/n
StapleSmart Finisher	0020G0897	T640/dn/dtm/h/h, T642/dtm/n/h, T644/dtm/h/h
T 250-Sheet Duplex Unit	0010G0800	Optra T610/T610n, T520/n, T630/n, X520, X630
T 250-Sheet Universally Adjustable Tray	0011K1574	Optra T610/T610n, T520/d/dn/h, T630/dn/h, X520

Lexmark Compatibility Table and Options

DESCRIPTION	PART #	MODEL
PAPER HANDLING		
T 250-Sheet Universally Adjustable Tray with Drawer	0011K1878	Optra T610/T610m/T614/T614m/T616/T616i/T616i6, T520/d/dm/n, T522/dm/n, T620/dm/n/m, T622/dm/n/m, T630/dm/n, T632/dm/dtm/n, T634/dm, X520s, X620e, X630, X632/e/s, X634/dte/e
T 400-Sheet Universally Adjustable Tray	0011K1941	Optra T614/T614m/T614m/T616/T616i, T522/dm/n, T620/dm/n/m, T632/dm/n/m, T634/dm/dtm/dtm/n/m, T634/dm/dtm/dtm/n, X522s, X620e, X632/e, X634e
Tractor 2	0012T0695	2480, 2490, 2580/n, 2590/n
Tractor 2	0012T0696	2481, 2491, 2581/n, 2591/n
Tractor 2	0013L0210	4Z27
Vertical Kiosk Presenter	0011K4647	T630/dm/n, T632/n, T634/dm/dtm/n/m, T640/dm/dtm/n/m, T642/dtm/n/m, T644/dtm/n/m
W840 Finisher (2 / 3-Hole)	001SR0144	W840/dm/n, X850e, X852e, X854e
W840 Finisher (2 / 4-Hole)	001SR0143	W840/dm/n, X850e, X852e, X854e
W840 High Capacity Feeder	001SR0145	W840/dm/n, X850e, X852e, X854e
FURNITURE		
Cabinet Stand	002ZD0306	C955dn
Low Profile Printer Stand	0013N1767	C920/dm/dtm/n
MFP Printer Cabinet	0022G0551	T640/dm/dtm/n/m, T642/dtm/n/m, T644/dtm/n/m, X642e, X644e, X646dte/e
Printer Base	0022G0544	T640/dm/dtm/n/m, T642/dtm/n/m, T644/dtm/n/m, X642e, X644e, X646dte/e
Printer Stand	0016N1708	C760/dm/dtm/n, C762/dm/dtm/n, C770dn/dtm/n, C772dn/dtm/n, C780dn/dtm/n, C782dn/dtm/n, C782dn/dtm/n, X4500
Printer Stand with Cabinet	0013N1766	C920/dm/dtm/n
Scanner Shelf	0021J0055	4600, C772/dm/dtm/n, C782dn/dtm/n
Scanner Shelf for 4600 MFP Option	0021J0050	4600, T642/dm/n/m, T644/dm/n/m, X4600
Scanner Stand with Cabinet	0016C0700	4600, C772/dm/dtm/n, C782dn/dtm/n, T642/dtm/n/m, T644/dm/n/m, X4600
T Low Profile Printer Stand	0016C0379	T520/d/dm/n, T522/dm/n, T620/dm/n/m, T622/dm/n/m, T630/dm/n, T632/dm/dtm/n, T634/dm/dtm/dtm/n/m, T640/dm/dtm/n/m, T642/dtm/n/m, T644/dm/n/m, X642e, X644e, X646dte/e
T Printer Stand	0016C0389	T520/d/dm/n, T522/dm/n, T620/dm/n/m, T622/dm/n/m, T630/dm/n, T632/dm/dtm/n, T634/dm/dtm/dtm/n/m, T640/dm/dtm/n/m, T642/dtm/n/m, T644/dm/n/m
T Printer Stand with Cabinet	0016C0389	T520/dm/n, T522/dm/n, T620/dm/n, T622/dm/n, T630/dm/n, T632/dm/dtm/n, T634/dm/dtm/dtm/n/m, T640/dm/dtm/n/m, T642/dtm/n/m, T644/dm/n/m
MFP OPTIONS		
Lexmark 4600 MFP Option	0021J0110	T640/dm/dtm/n, T642/dtm/n/m, T644/dtm/n/m
Lexmark 4600 MFP Option (C772n)	0021J0350	C772dn/dtm/n
Lexmark 4600 MFP Option (C782n)	0021J0409	C782dn/dtm/n

Lexmark Compatibility Table and Options

DESCRIPTION	PART #	MODEL
MFP OPTIONS Lexmark 4600 MFP Option with No Modem for Lexmark C782n	0021J0421	C782dn/dtn/n
FLASH, SDRAM MEMORY 1024MB DDR2-DRAM	001025043	X560dn/n
128MB DDR-DRAM	0013N1523	C520n, C522n, C524/dn/dtn/n, C530dn, C532dn/n, C534dn/dtn/n, C772dn/dtn/n, C772dn/dtn/n, C782dn/dtn/n, C782dn/dtn/n, C920/dn/dtn/n, C935dn/dtn/dtn/nhdn, T640/dn/dtn/n/n/n, T642/dtn/n/n, W840/dn/n, X642e, X644e, X646dte/e/ef, X850e, X852e, X854e, X940e, X945e
128MB SDRAM DIMM	001021259	E240n, E340, E342n/n, E350d, E352dn, E450dn
256MB DDR-DRAM	0013N1524	C520n, C522n, C524/dn/dtn/n, C530dn, C532dn/n, C534dn/dtn/n, C772dn/dtn/n, C772dn/dtn/n, C782dn/dtn/n, C782dn/dtn/n, C920/dn/dtn/n, C935dn/dtn/dtn/nhdn, T640/dn/dtn/n/n/n, T642/dtn/n/n, W840/dn/n, X642e, X644e, X646dte/e/ef, X850e, X852e, X854e, X940e, X945e
256MB DDR2-DRAM	001025041	X560dn/n
256MB SDRAM DIMM	001021260	E450dn, T430/d/dn
32MB Flash Card	001021208	C520n, C522n, C524/dn/dtn/n, C530dn, C532dn/n, C534dn/dtn/n, C772dn/dtn/n, C772dn/dtn/n, C780dn/dtn/n, C782dn/dtn/n, C920/dn/dtn/n, C935dn/dtn/dtn/nhdn, X850e, X852e, X854e, X940e, X945e
32MB SDRAM DIMM	001021257	E240/n, E250d/dn, E340, E342n/n, E350d, E352dn, E450dn
512MB DDR-DRAM	0013N1526	C520n, C522n, C524/dn/dtn/n, C530dn, C532dn/n, C534dn/dtn/n, C772dn/dtn/n, C772dn/dtn/n, C780dn/dtn/n, C782dn/dtn/n, C920/dn/dtn/n, C935dn/dtn/dtn/nhdn, T640/dn/dtn/n/n/n, T642/dtn/n/n, W840/dn/n, X642e, X644e, X646dte/e/ef, X850e, X852e, X854e, X940e, X945e
512MB DDR2-DRAM	001025042	X560dn/n
64MB Flash Card	001021209	C520n, C522n, C524/dn/dtn/n, C530dn, C532dn/n, C534dn/dtn/n, C772dn/dtn/n, C772dn/dtn/n, C780dn/dtn/n, C782dn/dtn/n, C920/dn/dtn/n, C935dn/dtn/dtn/nhdn, X850e, X852e, X854e, X940e, X945e
64MB SDRAM DIMM	001021258	E240/n, E250d/dn, E340, E342n/n, E350d, E352dn, E450dn
Japanese Font Card	001021243	C520n, C522n, C524/dn/dtn/n, C530dn, C532dn/n, C534dn/dtn/n, C772dn/dtn/n, C772dn/dtn/n, C780dn/dtn/n, C782dn/dtn/n, C920/dn/dtn/n, C935dn/dtn/dtn/nhdn, X850e, X852e, X854e, X940e, X945e
Korean Font Card	001021240	C520n, C522n, C524/dn/dtn/n, C530dn, C532dn/n, C534dn/dtn/n, C772dn/dtn/n, C772dn/dtn/n, C780dn/dtn/n, C782dn/dtn/n, C920/dn/dtn/n, C935dn/dtn/dtn/nhdn, X850e, X852e, X854e, X940e, X945e

Lexmark Compatibility Table and Options

DESCRIPTION	PART #	MODEL
FLASH, SDRAM MEMORY		
Simplified Chinese Font Card	001021241	C520n, C522n, C524/dn/dtm/n, C530dn, C532dn/dtm/n, C770dn/dtm/n, C772dn/dtm/n, C780dn/dtm/n, C782dn/dtm/n, C920/dn/dtm/n, C935dn/dtm/dttw/hdn, E340, E342n/fn, E350d, E352dn, E450dn, T640/dn/dtm/n/tn, T642/dtm/n/tn, T644/dtm/n/tn, W840/dn/n, W842e, X644e, X646dte/ef, X772e, X782e, X850e, X852e, X854e, X940e, X945e
Traditional Chinese Font Card	001021242	C520n, C522n, C524/dn/dtm/n, C530dn, C532dn/dtm/n, C770dn/dtm/n, C772dn/dtm/n, C780dn/dtm/n, C782dn/dtm/n, C920/dn/dtm/n, C935dn/dtm/dttw/hdn, E340, E342n/fn, E350d, E352dn, E450dn, T640/dn/dtm/n/tn, T642/dtm/n/tn, T644/dtm/n/tn, W840/dn/n, W842e, X644e, X646dte/ef, X772e, X782e, X850e, X852e, X854e, X940e, X945e
HARD DISK		
40+ GB Hard Disk	0013N1530	C524dn/dtm/n, C534dn/dtm/n, C770dn/dtm/n, C772dn/dtm/n, C780dn/dtm/n, C782dn/dtm/n, C920/dn/dtm/n, C935dn/dtm/dttw/hdn, W840/dn/n
40+GB Hard Disk with Adapter	0013N1541	T640/dn/dtm/n/tn, T642/dtm/n/tn, T644/dtm/n/tn
Optra Forms 20+GB Hard Disk with Adapter	001050749	C510/dtm/n, T630/dm/n, T632/dn/dtm/n, T634/dn/dtm/dttw/hdn, X632e
Optra Forms 5+GB Hard Disk	0012P0086	C750/dn/dtm/n/n, C752/Ldm/Ldn/dn/dtm/n, C760/dn/dtm/n, C762/dn/dtm/n, C762/dn/dtm/n, C910/dn/n/n, C912/dn/n, X752e, X762e, X912e
Optra Forms 5+GB Hard Disk with Adapter	0011K3928	T520/d/dtm/n, T522/dtm/n, T620/dm/n/n, T622/dm/n/n, T622/dm/n/n, W812/dtm/n, W820/dn/n, X820e, X830e, X832e
APPLICATION CARDS / SIMMS		
Bar Code Card	0010Z0400	C780dn/dtm/n, C782/dn/dtm/n
Bar Code Card	0013N1340	C920dn/dtm/n
Bar Code Card	0015R0091	X850e, X852e, X854e
Bar Code Card	001880140	C524/dn/dtm/n
Bar Code Card	0020B3201	C770dn/dtm/n, C772/dn/dtm/n
Bar Code Card	0020G0737	T640dn/dtm/n/n/tn, T642dn/n/tn, T644/dtm/n/tn
Bar Code Card	0021J0347	X646ef
Bar Code Card	0021J0577	X782e
Bar Code Card	0022G0350	X644e, X646dte/ef
Bar Code Card	0022G0626	X642e
Bar Code Card	0025A0036	W840dn/n
Bar Code Card	0026H0395	T430/d/dn
Bar Code Card	0033S0810	E450dn
Bar Code Card	003680140	C534dn/dtm/n
Bar Code and Forms Card	0021Z0363	C935dn/dtm/dttw/hdn
Bar Code and Forms Card	0021Z0367	X940e, X945e
Card for IPDS and SCS/The	0010Z0401	C780dn/dtm/n, C782/dn/dtm/n
Card for IPDS and SCS/The	0013N1341	C920dn/dtm/n

Lexmark Compatibility Table and Options

DESCRIPTION	PART #	MODEL
APPLICATION CARDS / SIMMS		
Card for IPDS and SCS7Me	002083202	C770dn/dtm/n, C772dn/dtm/n
Card for PDS and SCS7Me	002060738	T640dn/dtm/n/tn, T642dtm/n/tn, T644dtm/n/tn
Card for IPDS and SCS7Me	0021J0579	X782e
Card for PDS and SCS7Me	0021Z0364	C955cn/dtm/dttm/hn
Card for IPDS and SCS7Me	0021Z0368	X940e, X945e
Card for PDS and SCS7Me	0025A0032	W840dtm/n
Card for IPDS and SCS7Me	0026H0386	T430dn
Card for PDS/SCS7Me	0015R0092	X850e, X852e, X854e
Card for IPDS/SCS7Me	0021J0334	X646ef
Card for PDS/SCS7Me	0022G0351	X644e, X646dtm/e
Card for PRESCRIBE Emulation	0010Z0404	C780dn/dtm/n, C782dn/dtm/n
Card for PRESCRIBE Emulation	0015R0095	X850e, X852e, X854e
Card for PRESCRIBE Emulation	0020G0739	T640/dn/dtm/n/tn, T642/dtm/n/tn, T644/dtm/n/tn
Card for PRESCRIBE Emulation	0021J0346	X646ef
Card for PRESCRIBE Emulation	0022G0354	X644e, X646dtm/e
Card for PRESCRIBE Emulation	0025A0033	W840/dtm/n
Card for PRESCRIBE Emulation	0026H0388	T430/d/dn
Card for PRESCRIBE Emulation	0033S8520	E450dn
Forms Card	0010Z0402	C780dn/dtm/n, C782dn/dtm/n
Forms Card	0013N1345	C920dn/dtm/n
Forms Card	0015R0094	X850e, X852e, X854e
Forms Card	0018B0144	C524/d/dtm/h
Forms Card	002083206	C770dn/dtm/n, C772dn/dtm/n
Forms Card	0020G0742	T640/dn/dtm/n/tn, T642/dtm/n/tn, T644/dtm/n/tn
Forms Card	0021J0345	X646ef
Forms Card	0021J0578	X782e
Forms Card	0022G0353	X644e, X646dtm/e
Forms Card	0022G0627	X642e
Forms Card	0025A0037	W840dn/h
Forms Card	0026H0389	T430/d/dn
Forms Card	0033S0820	E450dn

Lexmark Compatibility Table and Options

DESCRIPTION		PART #	MODEL
APPLICATION CARDS / SIMMS			
Forms Card	003860144	C534dn/dtm/n	
ImageDirect Card	0026H0394	T430dn	
Lexmark PrintCoyption Card for the Lexmark C524n	0018B3035	C524dn/dtm/n	
Lexmark PrintCoyption Card for the Lexmark C534n	003680147	C534dn/dtm/n	
Lexmark PrintCoyption Card for the Lexmark C770, C772	0020B3204	C770n/dtm/n, C772dn/dtm/n	
Lexmark PrintCoyption Card for the Lexmark C780, C782	0010Z0403	C780n/dtm/n, C782dn/dtm/n	
Lexmark PrintCoyption Card for the Lexmark C920	0013N1343	C920n/dtm/n	
Lexmark PrintCoyption Card for the Lexmark C935	0021Z0366	C935dn/dtm/dttm/hdn	
Lexmark PrintCoyption Card for the Lexmark T430	0026H0397	T430dn	
Lexmark PrintCoyption Card for the Lexmark T64x	0020G0740	T640dn/dtm/n/fm, T642dn/n/fm, T644dn/n/fm	
Lexmark PrintCoyption Card for the Lexmark W8-40	0025A0034	W840dn/n	
Lexmark PrintCoyption Card for the Lexmark X642e	0022G0628	X642e	
Lexmark PrintCoyption Card for the Lexmark X646e, X646e, X646t/e	0022G0352	X646e, X646t/e	
Lexmark PrintCoyption Card for the Lexmark X850e, X852e, X854e	0015R0093	X850e, X852e, X854e	
Lexmark PrintCoyption Card for the Lexmark X940e, X945e	0021Z0370	X940e, X945e	
RFD LHF Option	0020G0201	T640/dn/dtm/n/fm, T642/dtm/n/fm, T644/dtm/n/fm	
CONNECTIVITY			
2400 Series Serial Interface Option	0012U0698	2480, 2481, 2490, 2491, 2580, 2581, 2590, 2591	
6 Meter Scanner Cable	0021J0069	4600, C782dn/dtm/n, X4600	
Coax/Twinax Adapter for SCSI	0014S0240	T640/dn/dtm/n/fm, T642/dtm/n/fm, T644/dtm/n/fm, W840/dn/n	
Lexmark N2050 802.11(b) Wireless Network Card	0014T0305	X3530, X3550, X3580, X6570, X6575, X7550	
Lexmark N4000e Fast Ethernet Print Server	0014T0040	2480, 2481, 2490, 2491, 2580, 2581, 2590, 2591, C510, C524, C760, C762, C920, E120, E220, E230, E232/1, E240, E250H, E260/4, E320, E322, E323, E330, E340, E350L, E360d, Home Copier Plus, P4310, P4350, P4350, P6250, P6350, P915, T420d, T4300/d, T5200/d, T5220/d, T620, T622, T630, T632, T634, T640/n, T642, T644, W812, W820, W840, X2715, X3310, X3330, X3350, X340, X3450, X3470, X3480, X3530, X3580, X5070, X5075, X5150, X5250, X5270, X5410, X5450, X5470, X5490, X5495, X6150, X6170, X7170, X7310, X7350, X8310, X8350, Z65, Z815, Z945	

Lexmark Compatibility Table and Options

CONNECTIVITY	DESCRIPTION	PART #	MODEL
Lexmark N4050e 802.11g Wireless Print Server	0014T0155	2480, 2481, 2490, 2491, 2580/n, 2581/n, 2590/n, C500n, C510, C520n, C522n, C524/dm/dtm/n, C530dn, C532dn/n, C534dn/dtm/n, C540n, C543dn, C544dn/dm/n, C752, C760/dm/dtm/n, C762/dm/dtm/n, C770dn/dm/n, C772dn/dm/n, C780dn/dm/n, C782dn/dm/n, C912, C920/dm/dtm/n, C935dn/dm/dtm/n/h/dm, E120/n, E230/d, E230/d, E240/n, E250/dm, E260/d/dm, E300, E340, E342n/n, E350n, E352dn, E360dd/dm, E450dn, E460dd/dm, F4270, P410/n, P4330, P4350, P6250, P6350, P915, T4300/d, T630, T632, T634, T640/dm/dtm/n/hm, T642/dm/n/hm, T644/dm/n/hm, W812, W820, W840/dm/n, X215, X3310, X3330, X3350, X340/n, X342n, X3450, X3470, X3480, X422, X4250, X500n, X502n, X5070, X5075, X5150, X5190ppr, X5250, X5270, X5410, X5634m, X5444m/dm/dtm/n, X5460, X5470, X5490, X5495e, X5600n/n, X6150, X6170, X6190ppr, X630, X632e/s, X6344te/e, X642e, X644e, X6464te/e/ef, X7170, X7310, X7350, X772e, X782e, X8310, X8350, X850e, X852e, X854e, X940e, X945e, Z815, Z845	
MarkNet N8020 Gigabit Ethernet Print Server	0014S0200	C524dn/dm/n, C534dn/dm/n, C770dn/dtm/n, C772dn/dm/n, C780dn/dm/n, C782dn/dm/n, C920/dm/dtm/n, C935dn/dm/dtm/n/h/dm, T640/dm/dtm/n/hm, T642/dm/n/h, W840/dm/n, X642e, X644e, X6464te/e, X850e, X852e, X854e	
MarkNet N8030 Fiber Ethernet 100BaseFX, 10BaseFL	0014S0220	C524dn/dm/n, C534dn/dm/n, C770dn/dtm/n, C772dn/dm/n, C780dn/dm/n, C782dn/dm/n, C920/dm/dtm/n, C935dn/dm/dtm/n/h/dm, T640/dm/dtm/n/hm, T642/dm/n/h, W840/dm/n, X642e, X644e, X6464te/e, X850e, X852e, X854e, X940e, X945e	
MarkNet N8050 802.11g Wireless Print Server	0014S0210	C524dn/dm/n, C534dn/dm/n, C770dn/dtm/n, C772dn/dm/n, C780dn/dm/n, C782dn/dm/n, C920/dm/dtm/n, C935dn/dm/dtm/n/h/dm, T640/dm/dtm/n/hm, T642/dm/n/h, W840/dm/n, X642e, X644e, X6464te/e, X850e, X852e, X854e, X940e, X945e	
MarkNet™ N7000e Fast Ethernet Print Server - USB	0014T0230	2480, 2481, 2490, 2491, 2580, 2581, 2590, C510, C524, C530dn, C532dn/n, C760, C762, C765, C769, C792, C910, C912, C920, E120, E220, E230, E232/d, E240, E250d, E260/d, E320, E322, E323, E330, E340, E350d, E360d, Optra M410/M412, P915, T4204, T4300/d, T520/d, T522, T620, T622, T630, T632, T634, T640, T642, T644, W812, W820, W840, X215, X340, X5410, X5450, X5470, X5490, X5600n/n, X7170, X7310, X7350, X8310, X8350, Z815	
MarkNet™ N7002e Fast Ethernet Print Server - Parallel	0014T0240	2380, 2381, 2390, 2391, 2480, 2481, 2490, 2491, 2580, 2581, 2590, C510, C524, C720, C750, C752, C760, C762, C765, C769, C792, C910, C912, C920, E230, E232/d, E240, E250d, E260/d, E320, E322, E323, E330, E340, E350d, E360d, Optra C710 Color Laser Printer/Color 45/E310/E312/M410/M412/S 1255/S 1625/S 1855/S 2455/Se 3455/T610/T612/T614/T616/W810, T420d, T430/d, T520, T522, T620, T622, T630, T632, T634, T640, T642, T644, W812, W820, W840, X215, X340, X5450, X5470, X5490, X5600n/n, X7170, X7310, X7350, X8310, X8350, X850e, X852e, X854e, X940e, X945e, Z815	
MarkNet™ N7020e Gigabit Ethernet Print Server	0014T0220	2480, 2481, 2490, 2491, 2580/n, 2581/n, 2590/n, C500n, C510/dm/n, C520n, C522n, C524/dm/dtm/n, C530dn, C532dn/n, C534dn/dm/n, C540n, C543dn, C544dn/dm/dtm/n, C750/n, C752/Lv/n, C760/dm/dtm/n, C762/dm/dtm/n, C770dn/dm/n, C772dn/dm/n, C780dn/dm/n, C782dn/dm/n, C910/n, C912/n, C920/dm/dtm/n, C935dn/dm/dtm/dtm/h/dm, E120/n, E220, E230, E232/d, E240/n, E250d/dm, E260/d/dm, E300, E340, E342n/n, E350d, E352dn, E360dd/dm, E450dn, E460dd/dm, Optra M410/M412, P915, T420d, T430/d, T520/d, T522, T620, T622, T630, T632, T634, T640/dm/dtm/n/hm, T642/dm/n/hm, W812/n, W820, W840/dm/n, X215, X340/n, X342n, X422, X500n, X502n, X5410, X5433dn, X5444dn/dm/dtm/n, X5450, X5470, X5490, X5600n/n, X642e, X644e, X6464te/e/ef, X7170, X7310, X7350, X762e, X772e, X782e, X8310, X8350, X850e, X852e, X854e, X912e, X940e, X945e, Z815	
MarkNet™ N8000 Fast Ethernet Print Server Multiprotocol Card	0014S0230 0014A1122	C920, T640, T642, T644, W840 X5600n/n	

Lexmark Compatibility Table and Options

CONNECTIVITY		DESCRIPTION	PART #	MODEL
	Parallel (10') Cable		001021231	2480, 2481, 2490, 2491, 2580/n, 2581/n, 2590/n, 4227, C524/dn/dtm/n, C534dn/dtm/n, C770dn/dtm/n, C772dn/dtm/n, C780dn/dtm/n, C782dn/dtm/n, C920/dn/dtm/n, C935dn/dtm/dttm/hdn, E240/n, E250/dn, E260/dn, E340, E342n/n, E350, E352dn, E360/dn, E450dn, E460dn/dw, T640/dn/dtm/n/n, T642/dtm/n/n, T644/dtm/n/n, W840/dn/n, X560dn/n, X642e, X644e, X646dte/e, X850e, X852e, X854e, X940e, X945e
	Parallel 1284-B Interface Card		001021091	C510/dm/n, C524dn/dtm/n, C534dn/dtm/n, C760/dn/dtm/n, C770dn/dtm/n, C772dn/dtm/n, C780dn/dtm/n, C782dn/dtm/n, C920/dn/dtm/n, C935dn/dtm/dttm/hdn, T630/dn/n, T632/dn/dtm/n, T634/dn/dtm/dttm/n, T640/dn/dtm/n/n, T642/dtm/n/n, T644/dtm/n/n, W840/dn/n, X632e, X642e, X644e, X646dte/e, X762e, X850e, X852e, X854e, X940e, X945e
	RS-232C Serial Interface Card		001021092	C524dn/dtm/n, C534dn/dtm/n, C770dn/dtm/n, C772dn/dtm/n, C780dn/dtm/n, C782dn/dtm/n, C835dn/dtm/dttm/hdn, T640/dn/dtm/n/n, T642/dtm/n/n, T644/dtm/n/n, W840/dn/n, X642e, X644e, X646dte/e, X850e, X852e, X854e, X940e, X945e
	USB (2 Meter) Cable		001021294	2480, 2481, 2490, 2491, 2580/n, 2581/n, 2590/n, C522n, C524/dn/dtm/n, C530dn, C532dn/n, C534dn/dtm/n, C540n, C543dn, C544dn/dtm/dw/n, C770dn/dtm/n, C772dn/dtm/n, C780dn/dtm/n, C782dn/dtm/n, C920/dn/dtm/n, C935dn/dtm/dttm/hdn, E120/n, E240/n, E250/dn, E260/dn, E340, E342n/n, E350, E352dn, E360/dn, E450dn, E460dn/dw, P6350, T640/dn/dtm/n/n, T642/dtm/n/n, T644/dtm/n/n, W840/dn/n, X1250, X1270, X2450, X2470, X2480, X2500, X2510, X2530, X2550, X2580, X2600, X2620, X2630, X2690, X340/n, X342n, X3450, X3470, X3480, X3530, X3550, X3650, X3660, X4530, X4550, X4560, X4650, X4680, X4875, X4875/ve, X900n, X502n, X5070, X5075, X5410, X5434n, X544dn/dtm/dw/n, X5450, X5470, X5490, X5495, X560dn/n, X5630, X5650, X5690, X642e, X644e, X646dte/ef, X6570, X6575, X6650, X6675, X6690, X7310, X7350, X7550, X772e, X782e, X8310, X8350, X850e, X852e, X854e, X9350, X940e, X945e, X9575, Z1300, Z1310, Z1320, Z1380, Z1410, Z1420, Z1480, Z2300, Z2320, Z2420, Z2490, Z2640, Z645, Z845



Some people treat our planet badly.



Some people don't.

recover

"Environmentally sound waste management" is one of the priorities of the United Nations Environment Program. By inviting everyone to change unsustainable patterns of production and consumption, it makes us all responsible for doing something about it. At Lexmark, over the years, we have developed and enhanced the Lexmark Cartridge Collection Programme. We now offer environmentally sound collection and recycling of all our cartridges, soon to be extended to all our equipment. And you can also do your part; simply return your used cartridges to Lexmark. You will help the environment by increasing the recovery of materials, thus reducing production and materials consumption.



LEXMARK[™]

Quality and Excellence

When Lexmark supplies are used together with Lexmark printers, it delivers the highest performance and quality.



CUSTOMER NEEDS

The core of printing technology is in the cartridge itself. The majority of our cartridges are single-element (integrated drum for laser cartridges or printhead for inkjet cartridges) for ease of installation, avoiding the risk of deterioration of the print head and therefore degradation of print quality during printer life. Replacing a Lexmark cartridge is like getting a brand new printer!

Lexmark is constantly improving its toner formula for its laser cartridges to bring the customer better colour consistency and accuracy, sharper images and better colour transitions and skin tones.

Lexmark also recently developed new pigmented inkjet inks to provide the customer the highest quality standards for photos that last generations.

CUSTOMER CHOICE

Lexmark has developed a full range of cartridges and media with its printers to fit the many needs of its various end-users. Extra-high-yield, high-yield and standard yield cartridges are designed to fit the exact needs of each individual customer's printing usage. Inkjet dual packs have been designed to avoid the risk of running out of ink at work or at home. Lexmark also provides a full range of media from banner paper to outdoor paper, from transparencies to inkjet photo paper. Lexmark is dedicated to providing the best output quality to both efficient businesses and demanding home users.

MEASURING YIELDS WITH ISO/IEC STANDARDS

The ISO standard more accurately represents the potential customer experience by taking into account manufacturing variations in the performance of the cartridges and the printers. Until now, printer manufacturers have used a variety of methodologies to measure toner yield, making it challenging for customers to compare yield measurements accurately from leading suppliers.

There are three ISO standards measuring cartridge yields: ISO/IEC 19752 for mono laser cartridges, on monochrome printers ISO/IEC 19798 for colour and mono laser cartridges on colour laser printers and ISO/IEC 24711 for inkjet cartridges (with exception of photo cartridges). A requirement of the standards is that all new products be tested and written reports be made available to customers at their request.

The development of new technologies and new cartridges is key to Lexmark's Business. We invest in R&D, integrating customers' input to design and develop a complete range of supplies: from laser cartridges to inkjet cartridges, papers and transparencies and ribbons. Backed by a 100% Satisfaction Guarantee, each laser and inkjet cartridge is tested individually before leaving the manufacturing site to guarantee high print quality day after day, print after print.



Lexmark Supplies Compatibility Table

Lexmark Inkjet Printers Supplies

#	PART #	DESCRIPTION	MODEL
	0013619HC	13619HC Color Print Cartridge	1000, 1020, 1100, 2030, 2050, 2055, 3000, ExecJet IIC, Medley, Winwriter 150c
	013400HCE	13400HCE Black Print Cartridge	1000, 1020, 1100, 2030, 2050, 2055, 3000, ExecJet IIC, Medley, Winwriter 150c
1	008002355	Twin-Pack #1 Print Cartridges	X2310, X2330, X2350, X2450, X2470, X3450, X3470, Z730, Z735
1	0180X781E	Lexmark Inkjet Cartridge N°1	X2310, X2330, X2350, X2450, X2470, X3450, X3470, Z730, Z735
2	008002362	Twin-Pack #2, #3, Color and Black Print Cartridges	X2580, X3580, X4580, Z1380, Z1480
2	0180X190E	Lexmark Inkjet Cartridge No. 2	X2480, X2580, X3480, X3580, X4580, Z1380, Z1480
3	018C1530E	#3 Black Print Cartridge	X2580, X3580, X4580, Z1380, Z1480
4	008002375	Twin-Pack #4, #5 Black and Color Return Program Print Cartridges	X2690, X4690, X5690, Z2390, Z2490
5	018C1900E	#5 Color Return Program Print Cartridge	X2690, Z2390, Z2490
14	018C2080E	#14 Black Print Cartridge	X2600, X2620, X2630, X2650, Z2300, Z2320
14	018C2090E	#14 Black Return Program Print Cartridge	X2600, X2620, X2630, X2650, Z2300, Z2320
15	018C2100E	#15A Colour Print Cartridge	X2600, X2620, X2630, X2650, Z2300, Z2320
15	018C2110E	#15 Color Return Program Print Cartridge	X1110, X1130, X1150, X1170, X1180, X1190, X1195, X1250, X1270, X2230, X2240, X2250, X74, X75, Z13, Z23, Z23a, Z25, Z33, Z35, Z51, Z515, Z517, Z601, Z602, Z605, Z611, Z612, Z614, Z615, Z617, Z640, Z645, I3
16	0010N0138	Twin-Pack #16 Black Print Cartridge	X1110, X1130, X1150, X1170, X1180, X1190, X1195, X1250, X1270, X2230, X2240, X2250, X74, X75, Z13, Z23, Z23a, Z25, Z33, Z35, Z51, Z515, Z517, Z601, Z602, Z605, Z611, Z612, Z614, Z615, Z617, Z640, Z645, I3
16	008002126	Twin-Pack #16, #26 Black and Color Print Cartridges	X1110, X1130, X1150, X1170, X1180, X1190, X1195, X1250, X1270, X2230, X2240, X2250, X74, X75, Z13, Z23, Z23a, Z25, Z33, Z35, Z51, Z515, Z517, Z601, Z602, Z605, Z611, Z612, Z614, Z615, Z617, Z640, Z645, I3
16	010N0016E	#16 / 10N0016E Black Print Cartridge	X1110, X1130, X1150, X1170, X1180, X1190, X1195, X1250, X1270, X2230, X2240, X2250, X74, X75, Z13, Z23, Z23a, Z25, Z33, Z35, Z51, Z515, Z517, Z601, Z602, Z605, Z611, Z612, Z614, Z615, Z617, Z640, Z645, I3
17	008002362	Combo-Pack #17, #27 Black and Color Moderate Use Print Cartridges	X1110, X1130, X1150, X1170, X1180, X1190, X1195, X1250, X1270, X2230, X2240, X2250, X74, X75, Z13, Z23, Z23a, Z25, Z33, Z35, Z51, Z515, Z517, Z601, Z602, Z605, Z611, Z612, Z614, Z615, Z617, Z640, Z645, I3
17	008002364	Twin-Pack #17 Black Print Cartridges	X1110, X1130, X1150, X1170, X1180, X1190, X1195, X1250, X1270, X2230, X2240, X2250, X74, X75, Z13, Z23, Z23a, Z25, Z33, Z35, Z51, Z515, Z517, Z601, Z602, Z605, Z611, Z612, Z614, Z615, Z617, Z640, Z645, I3
17	010N0217E	#17 / 10N0217E Moderate Use Black Print Cartridge	X1110, X1130, X1150, X1170, X1180, X1190, X1195, X1250, X1270, X2230, X2240, X2250, X74, X75, Z13, Z23, Z23a, Z25, Z33, Z35, Z51, Z515, Z517, Z601, Z602, Z640, Z645
19	015M2619E	#19 / 15M2619E Moderate Use Color Print Cartridge	F4270, P3120, P3150, P706, P707, X4250, Z703, Z705, Z715
20	008002363	Combo-Pack #20, #70 Black and Color Print Cartridges	F4270, X1251jpro, X4250, X63, X70, X73, X80, X83, X84, X85, Z42, Z43, Z45, Z45se, Z51, Z52, Z53, Z54, Z54se
20	015M1120E	#20 / 15M1120E Color Print Cartridge	F4270, P3120, P3150, P706, P707, X1251jpro, X4250, X63, X70, X73, X80, X83, X84, X85, Z42, Z43, Z45, Z45se, Z51, Z52, Z53, Z54, Z54se, Z703, Z705, Z715
23	018C1419E	Twin-Pack #23, #24 Black and Color Return Program Print	X3530, X3550, X4530, X4550, Z1410, Z1420
23	018C1523E	#23 Black Return Program Print Cartridge	X3530, X3550, X4530, X4550, Z1410, Z1420

Lexmark Supplies Compatibility Table

Lexmark Inkjet Printers Supplies

#	PART #	DESCRIPTION	MODEL
23	018C1623E	#23A Black Print Cartridge	X3630, X3650, X4530, X4650, Z1410, Z1420
24	018C1524E	#24 Color Return Program Print Cartridge	X3530, X3650, X4530, X4650, Z1410, Z1420
24	018C1624E	#24A Color Print Cartridge	X3530, X3650, X4530, X4650, Z1410, Z1420
25	0015M0375	Tri-Pack #25 High Yield Color Print Cartridge	F4270, P706, X125/pro, X4250, X80, X83, X84, X85, Z42, Z51, Z52
25	015M0125E	#25 / 15M0125E High Yield Color Print Cartridge	F4270, P3120, P3150, P706, P707, X125/pro, X4250, X63, X70, X73, X80, X83, X84, X85, Z42, Z43, Z45, Z45se, Z51, Z52, Z53, Z54, Z54se, Z703, Z705, Z715
26	0010N0139	Twin Pack #26 Color Print Cartridge	X1110, X1130, X1150, X1170, X1180, X1190, X1195, X1250, X1270, X2230, X2240, X2250, X74, X75, Z13, Z23, Z23e, Z25, Z33, Z35, Z511, Z515, Z517, Z601, Z602, Z605, Z611, Z612, Z614, Z615, Z617, Z640, Z645, I3
26	010N0026E	#26 / 10N0026E Color Print Cartridge	X1110, X1130, X1150, X1170, X1180, X1190, X1195, X1250, X1270, X2230, X2240, X2250, X74, X75, Z13, Z23, Z23e, Z25, Z33, Z35, Z511, Z515, Z517, Z601, Z602, Z605, Z611, Z612, Z614, Z615, Z617, Z640, Z645, I3
27	0010N0394	Twin Pack #27 Color/Moderate Use Print Cartridges	X1110, X1130, X1150, X1170, X1180, X1190, X1195, X1250, X1270, X2230, X2240, X2250, X74, X75, Z13, Z23, Z23e, Z25, Z33, Z35, Z511, Z515, Z517, Z601, Z602, Z605, Z611, Z612, Z614, Z615, Z617, Z640, Z645, I3
27	010N0272E	#27 / 10N0272E Moderate Use Color Print Cartridge	X1110, X1130, X1150, X1170, X1180, X1190, X1195, X1250, X1270, X2230, X2240, X2250, Z13, Z511, Z515, Z517, Z601, Z602, Z605, Z611, Z612, Z614, Z615, Z617, Z640, Z645
28	018C1428E	#28 Black Return Program Print Cartridge	X2500, X2510, X2530, X2550, X5070, X5490, X5495, Z1300, Z1310, Z1320, Z845
28	018C1528E	Twin-Pack #28 #29 Black and Color Return Program Print	X2500, X2510, X2530, X2550, X5070, X5490, X5495, Z1300, Z1310, Z1320, Z845
28	018C1528E	#28A Black Print Cartridge	X2500, X2510, X2530, X2550, X5070, X5490, X5495, Z1300, Z1310, Z1320, Z845
29	018C1429E	#29 Color Return Program Print Cartridge	X2500, X2510, X2530, X2550, X5070, X5490, X5495, Z1300, Z1310, Z1320, Z845
29	018C1529E	#29A Color Print Cartridge	X2500, X2510, X2530, X2550, X5070, X5490, X5495, Z1300, Z1310, Z1320, Z845
31	008002178	Twin-Pack #31 Photo and #33 Color Print Cartridges	Home Copier Plus, P4310, P4330, P4350, P6250, P6350, P915, X3310, X3330, X3350, X5270, X5410, X5440, X5470, X7170, X7310, X7350, X8310, X8350, Z815
31	018C0031E	#31 / 18C0031E Photo Color Print Cartridge	Home Copier Plus, P4310, P4330, P4350, P6250, P6350, P915, X2500, X2510, X2530, X2550, X2600, X2620, X2630, X2650, X2660, X3310, X3330, X3350, X3530, X3550, X4530, X4650, X4690, X4690, X5070, X5075, X5250, X5270, X5410, X5450, X5470, X5490, X5495, X5630, X5650, X5690, X6650, X6675, X6690, X7170, X7310, X7350, X8310, X8350, Z1300, Z1310, Z1320, Z1330, Z1330, Z1330, Z1330, Z2300, Z2320, Z2390, Z2420, Z2480, Z815, Z845
32	008002951	Combo-Pack #32, #33 Black and Color Print Cartridges	Home Copier Plus, P4310, P4330, P4350, P6250, P6350, P915, X3310, X3330, X3350, X5250, X5270, X5410, X5440, X5470, X7170, X7310, X7350, X8310, X8350, Z815
32	008002956	Twin-Pack #32 Black Print Cartridges	Home Copier Plus, P4310, P4330, P4350, P6250, P6350, P915, X3310, X3330, X3350, X5250, X5270, X5410, X5440, X5470, X7170, X7310, X7350, X8310, X8350, Z815
32	018C0032E	#32 / 18C0032E Black Print Cartridge	Home Copier Plus, P4310, P4330, P4350, P6250, P6350, P915, X3310, X3330, X3350, X5250, X5270, X5410, X5440, X5470, X7170, X7310, X7350, X8310, X8350, Z815

Lexmark Supplies Compatibility Table

Lexmark Inkjet Printers Supplies

#	PART #	DESCRIPTION	MODEL
33	00180C0534	Twin-Pack #33 Color Print Cartridge	Home Copier Plus, P315, P4310, P4330, P4350, P460, P6250, P6350, P915, X3310, X3330, X3350, X5250, X5270, X5410, X5450, X5470, X7170, X7310, X7350, X8310, X8350, Z815
33	0180X033E	#33 / 180C033E Color Print Cartridge	Home Copier Plus, P315, P4310, P4330, P4350, P460, P6250, P6350, P915, X3310, X3330, X3350, X5250, X5270, X5410, X5450, X5470, X7170, X7310, X7350, X8310, X8350, Z815
34	0180C034E	#34 High Yield Black Print Cartridge	Home Copier Plus, P4310, P4330, P4350, P6250, P6350, P915, X2500, X2510, X2530, X2550, X3310, X3330, X3350, X3530, X3550, X4530, X4550, X5070, X5075, X5250, X5270, X5410, X5450, X5470, X7170, X7310, X7350, X8310, X8350, Z1300, Z1310, Z1320, Z1410, Z1420, Z815, Z845
35	0180C035E	#35 High Yield Colour Print Cartridge	Home Copier Plus, P4310, P4330, P4350, P6250, P6350, P915, X2500, X2510, X2530, X2550, X3310, X3330, X3350, X3530, X3550, X4530, X4550, X5070, X5075, X5250, X5270, X5410, X5450, X5470, X7170, X7310, X7350, X8310, X8350, Z1300, Z1310, Z1320, Z1410, Z1420, Z815, Z845
36	018C2130E	#36 Black Return Program Print Cartridge	X3650, X4650, X5630, X5650, X6650, X6675, Z2420
36	018C2150E	#36 Black Print Cartridge	X3650, X4650, X5630, X5650, X6650, X6675, Z2420
36	018C2170E	#36XL Black Return Program Print Cartridge	X3650, X4650, X5630, X5650, X6650, X6675, Z2420
36	018C2190E	#36XLA Black Print Cartridge	X3650, X4650, X5630, X5650, X6650, X6675, Z2420
37	018C2140E	#37 Color Return Program Print Cartridge	X3650, X4650, X5630, X5650, X6650, X6675, Z2420
37	018C2160E	#37A Colour Print Cartridge	X3650, X4650, X5630, X5650, X6650, X6675, Z2420
37	018C2180E	#37XL Color Return Program Print Cartridge	X3650, X4650, X5630, X5650, X6650, X6675, Z2420
37	018C2200E	#37XLA Colour Print Cartridge	X3650, X4650, X5630, X5650, X6650, X6675, Z2420
40	018Y0340E	#40 Photo Print Cartridge	X4850, X4875, X4950, X4975, X7550, X7560, X7675, X9350, X9375, Z1520
41	018Y0141E	#41 Color Return Program Print Cartridge	X4850, X4875, X4950, X4975, X7550, X7560, X7675, X9375, Z1520
41	018Y0341E	#41A Color Print Cartridge	X4850, X4875, X4950, X4975, X7550, X7560, X7675, X9375, Z1520
42	018Y0142E	#42 Black Return Program Print Cartridge	X4850, X4875, X4950, X4975, X7550, X7560, X7675, X9375, Z1520
42	018Y0342E	#42A Black Print Cartridge	X4850, X4875, X4950, X4975, X7550, X7560, X7675, X9375, Z1520
43	008002966	Twin-Pack #44XL #43XL Black and Color Print Cartridges	X4850, X4875, X4950, X4975, X7550, X7560, X7675, X9350, X9375
43	018Y143E	#43 Color Print Cartridge	P350, X4850, X4875, X4950, X4975, X6570, X6575, X7550, X7675, X9350, X9375, Z1520
44	018Y0144E	#44 Black Print Cartridge	X4850, X4875, X4950, X4975, X7550, X7560, X7675, X9350, X9375, Z1520
44	017G0048E	#48 / 17G0048E Moderate Use Black Print Cartridge	P3120, P3150, P706, P707, Z12, Z22, Z32, Z703, Z705, Z715
50	001660083	Twin-Pack #50 Black Print Cartridge	P3120, P3150, P706, P707, Z12, Z22, Z32, Z703, Z705, Z715
50	017G0050E	#50 / 17G0050E Black Print Cartridge	P3120, P3150, P706, P707, Z12, Z22, Z32, Z703, Z705, Z715
60	017G0060E	#60 / 17G0060E Color Print Cartridge	Z12, Z22, Z32

Lexmark Supplies Compatibility Table

Lexmark Inkjet Printers Supplies

#	PART #	DESCRIPTION	MODEL
70	008002367	Twin-Pack #70 Black Print Cartridges	3200, 5000, 5700, 5770, 7000, 7200/V, F4270, 0 ptrra Color 40/45/45n, X125/ptrra, X4250, X63, X70, X73, X80, X83, X84, X85, Z11, Z31, Z42, Z43, Z45, Z45se, Z51, Z52, Z53, Z54, Z54se
70	012AV970E	#70 / 12A1970E Black Print Cartridge	3200, 5000, 5700, 5770, 7000, 7200/V, F4270, 0 ptrra Color 40/45/45/45n, X125/ptrra, X4250, X63, X70, X73, X80, X83, X84, X85, Z11, Z31, Z42, Z43, Z45, Z45se, Z51, Z52, Z53, Z54, Z54se
71	015MM971E	#71 / 15M2971E Moderate Use Black Print Cartridge	3200, 5000, 5700, 5770, 7000, 7200/V, F4270, 0 ptrra Color 40/45/45/45n, X125/ptrra, X4250, X63, X70, X73, X80, X83, X84, X85, Z11, Z31, Z42, Z43, Z45, Z45se, Z51, Z52, Z53, Z54, Z54se
75	0015M0100	15M0100 Tri-Pack #75 High Yield Black Print Cartridge	3200, 5000, 5700, 5770, 7000, 7200/V, F4270, 0 ptrra Color 40/45/45/45n, X125/ptrra, X4250, X80, X83, X84, X85, Z11, Z31, Z42, Z51, Z52
75	0015M1046	Sk-Pack #75 High Yield Black Print Cartridge	3200, 5000, 5700, 5770, 7000, 7200/V, F4270, 0 ptrra Color 40/45/45/45n, X125/ptrra, X4250, X80, X83, X84, X85, Z11, Z31, Z42, Z51, Z52
75	012A1975E	#75 / 12A1975E High Yield Black Print Cartridge	3200, 5000, 5700, 5770, 7000, 7200/V, F4270, 0 ptrra Color 40/45/45/45n, X125/ptrra, X4250, X63, X70, X73, X80, X83, X84, X85, Z11, Z31, Z42, Z43, Z45, Z45se, Z51, Z52, Z53, Z54, Z54se
80	012A1980E	#80 / 12A1980E Color Print Cartridge	3200, 5000, 5700, 5770, 7000, 7200/V, Optira Color 40/45/45n, Z11, Z31
82	0018L0232	Tri-Pack #82 Black Print Cartridge	X5130, X5150, X5190pro, X6150, X6170, X6190pro, Z55, Z55se, Z65, Z65n, Z65p, Z65pro
82	018L0032E	#82 / 18L0032E Black Print Cartridge	X5130, X5150, X5190pro, X6150, X6170, X6190pro, Z55, Z55se, Z65, Z65n, Z65p, Z65pro
83	018L0042E	#83 / 18L0042E Color Print Cartridge	X5130, X5150, X5190pro, X6150, X6170, X6190pro, Z65, Z65n, Z65p, Z65pro
85	0015M0101	Tri-Pack #85 High Yield Color Print Cartridge	3200, 5000, 5700, 5770, 7000, 7200/V, Optira Color 40/45/45n, Z11, Z31
85	012A1985E	#85 / 12A1985E High Yield Color Print Cartridge	3200, 5000, 5700, 5770, 7000, 7200/V, Optira Color 40/45/45n, Z11, Z31
88	0018L0233	Tri-Pack #89 High Yield Color Print Cartridge	X5130, X5190pro, X6150, X6170, X6190pro, Z65, Z65n
88	018L0000E	#88 / 18L0000E High Yield Color Print Cartridge	X5130, X5150, X5190pro, X6150, X6170, X6190pro, Z55, Z55se, Z65, Z65n, Z65p, Z65pro
90	012A1990E	#90 / 12A1990E PHOTO Color Print Cartridge	3200, 5000, 5700, 5770, 7000, 7200/V, Optira Color 40/45/45n, P3120, P3150, P706, P707, X125, X63, X70, X73, Z22, Z32, Z42, Z43, Z45, Z51, Z52, Z53, Z54, Z703, Z705, Z715

Lexmark Supplies Compatibility Table

Cartridges and Photoconductor / Other Supplies

DESCRIPTION	PART #	MODEL
COLOR LASER		
20K Photoconductor Unit 1-Pack	00053030X	C520n, C522n, C524/dn/dtm/n, C530dn, C532dn, C534dn/dtm/n
20K Photoconductor Unit 4-Pack	00053034X	C520n, C522n, C524/dn/dtm/n, C530dn, C532dn/n, C534dn/dtm/n
3 Color Photoconductor Kit	0012A1455	Optra Color 1200/1200n
7K Cyan RP Toner Cartridge	00053400X	C534dn/dtm/n
7K Cyan Toner Cartridge	0005342CX	C534dn/dtm/n
7K Magenta RP Toner Cartridge	0005340MX	C534dn/dtm/n
7K Magenta Toner Cartridge	0005342MX	C534dn/dtm/n
7K Yellow RP Toner Cartridge	0005340YX	C534dn/dtm/n
7K Yellow Toner Cartridge	0005342YX	C534dn/dtm/n
Black Extra High Yield Print Cartridge	0007729KX	C772dn/dtm/n, X772e
Black Extra High Yield Return Program Print Cartridge	000782X2KG	C782dn/dtm/n, X782e
Black Extra High Yield Return Program Print Cartridge	0007720KX	C772dn/dtm/n, X772e
Black High Yield Print Cartridge	000782X1KG	C782dn/dtm/n, X782e
Black High Yield Print Cartridge	00108032K	C750/dn/dtm/n/n, X750e
Black High Yield Print Cartridge	00156032K	C752/dn/dtm/n/n, C762/dn/dtm/n, X752e, X762e
Black High Yield Print Cartridge	000780H2KG	C780dn/dtm/n, C782dn/dtm/n, X782e
Black High Yield Return Program Print Cartridge	000780H1KG	C780dn/dtm/n, C782dn/dtm/n, X782e
Black High Yield Return Program Print Cartridge (15K)	00108042K	C750/dn/dtm/n/n, X750e
Black High Yield Return Program Print Cartridge (15K)	00156042K	C752/dn/dtm/n/n, C762/dn/dtm/n, X752e, X762e
Black High Yield Return Program Toner Cartridge	0005240KH	C524/dn/dtm/n, C534dn/dtm/n
Black High Yield Toner Cartridge	0005242KH	C524/dn/dtm/n, C534dn/dtm/n
Black High Yield Toner Cartridge	000500H2KG	C500n, X500n, X502n
Black High Yield Toner Cartridge	00030H2KG	C935dn/dtm/dtm/n/hdn
Black High Yield Toner Cartridge (10K)	0020K1403	C510/dtm/n
Black Photoconductor Kit (with fuser roll)	0012A1450	Optra Color 1200/1200n
Black Photoconductor Unit 1-Pack	00030X72G	C935dn/dtm/dtm/n/hdn, X940e, X945e
Black Print Cartridge	000780A2KG	C780dn/dtm/n, C782dn/dtm/n, X782e
Black Print Cartridge (6K)	00108031K	C750/dn/dtm/n/n, X750e
Black Print Cartridge (6K)	00156031K	C752/dn/dtm/n/n, C762/dn/dtm/n, C760/dn/dtm/n, X752e, X762e
Black Return Program Print Cartridge	00156041K	C752/Ln/Ltm/Lrv/Lrv/dn/dtm/n/n, C760/dn/dtm/n, C762/dn/dtm/n, X752e, X762e
Black Return Program Print Cartridge	000780A1KG	C780dn/dtm/n, C782dn/dtm/n, X782e

Lexmark Supplies Compatibility Table

Cartridges and Photoconductor / Other Supplies

DESCRIPTION	PART #	MODEL
COLOR LASER		
Black Return Program Print Cartridge (6K)	0010B041K	C750/dn/dtm/fr/n/n, X750e
Black Return Program Toner Cartridge	000520K0S	C520h, C530dn
Black Return Program Toner Cartridge	000522K0S	C522h, C524/dn/dtm/n, C530dn, C532dn/h, C534dn/dtm/n
Black Toner Cartridge	0012A1454	Optra Color 1200/1200h
Black Toner Cartridge	0015W0903	C720/dn/n, X720
Black Toner Cartridge	000520K0S	C520h, C530dn
Black Toner Cartridge	000522K0S	C522h, C524/dn/dtm/n, C530dn, C532dn/h, C534dn/dtm/n
Black Toner Cartridge	0009202KH	C920/dn/dtm/n
Black Toner Cartridge	0050052KG	C500h, X500h, X502h
Black Toner Cartridge (5K)	0020K0503	C510/dm/n
Black Toner Cartridge (including Oil Coating Roller) (14K)	0012N0771	C910/dn/fr/n/h, C912/dm/n, X912e
C710 Black Print Cartridge Kit	0010E0043	Optra C710 Color Laser Printer/C710dn/C710n Color Laser Printer
C710 Coating Roll (Incl. in 0010E0043)	0010E0044	Optra C710 Color Laser Printer/C710dn/C710n Color Laser Printer
C710 Cyan Print Cartridge	0010E0040	Optra C710 Color Laser Printer/C710dn/C710n Color Laser Printer
C710 Magenta Print Cartridge	0010E0041	Optra C710 Color Laser Printer/C710dn/C710n Color Laser Printer
C710 Transfer Kit	0010E0045	Optra C710 Color Laser Printer/C710dn/C710n Color Laser Printer
C710 Yellow Print Cartridge	0010E0042	Optra C710 Color Laser Printer/C710dn/C710n Color Laser Printer
C75X, C76X, C77X Waste Toner Container	0010B3100	C750/dn/dtm/fr/n/n, C752/Ldn/Ldm/Lai/dn/dtm/fr/n, C760/dn/dtm/n, C762/dn/dtm/n, C770dn/dtm/n, C772e, X782e
C77X Black High Yield Print Cartridge	00C7702KH	C770dn/dtm/n, C772dn/dtm/n, X772e
C77X Black High Yield Return Program Print Cartridge	00C7700KH	C770dn/dtm/n, C772dn/dtm/n, X772e
C77X Black Print Cartridge	00C7702KS	C770dn/dtm/n, C772dn/dtm/n, X772e
C77X Black Return Program Print Cartridge	00C7700KS	C770dn/dtm/n, C772dn/dtm/n, X772e
C77X Cyan High Yield Print Cartridge	00C7702CH	C770dn/dtm/n, C772dn/dtm/n, X772e
C77X Cyan High Yield Return Program Print Cartridge	00C7700CH	C770dn/dtm/n, C772dn/dtm/n, X772e
C77X Cyan Print Cartridge	00C7702CS	C770dn/dtm/n, C772dn/dtm/n, X772e
C77X Cyan Return Program Print Cartridge	00C7700CS	C770dn/dtm/n, C772dn/dtm/n, X772e
C77X Magenta High Yield Print Cartridge	00C7702MH	C770dn/dtm/n, C772dn/dtm/n, X772e
C77X Magenta High Yield Return Program Print Cartridge	00C7700MH	C770dn/dtm/n, C772dn/dtm/n, X772e
C77X Magenta Print Cartridge	00C7702MS	C770dn/dtm/n, C772dn/dtm/n, X772e
C77X Magenta Return Program Print Cartridge	00C7700MS	C770dn/dtm/n, C772dn/dtm/n, X772e

Lexmark Supplies Compatibility Table

Cartridges and Photoconductor / Other Supplies

DESCRIPTION	PART #	MODEL
COLOR LASER		
C77X Yellow High Yield Print Cartridge	00C7702HH	C770dn/dtn/h, C772dn/dtn/h, X772e
C77X Yellow High Yield Return Program Print Cartridge	00C7700YH	C770dn/dtn/h, C772dn/dtn/h, X772e
C77X Yellow Print Cartridge	00C7702YS	C770dn/dtn/h, C772dn/dtn/h, X772e
C77X Yellow Return Program Print Cartridge	00C7700YS	C770dn/dtn/h, C772dn/dtn/h, X772e
C910 Black PhotoDeveloper	0012N0773	C910/dn/fm/h, C912/dm/h, C920/dn/dtm/h, X912e
C910 Color PhotoDeveloper Set (3, CYM)	0012N0772	C910/dn/fm/h, C912/dm/h, C920/dn/dtm/h, X912e
CMY Photoconductor Unit 3-Pack	003930X73G	C935dn/dtm/dtn/hdn, X940e, X945e
Cyan Extra High Yield Print Cartridge	00C7722CX	C772dn/dtm/h, X772e
Cyan Extra High Yield Print Cartridge	00C782X2CG	C782dn/dtm/h, X782e
Cyan Extra High Yield Return Program Print Cartridge	00C7720CX	C772dn/dtm/h, X772e
Cyan Extra High Yield Return Program Print Cartridge	00C782X1CG	C782dn/dtm/h, X782e
Cyan High Yield Print Cartridge	00C780H2CG	C780dn/dtm/h, C782dn/dtm/h, X782e
Cyan High Yield Print Cartridge (15K)	00108032C	C750/dn/dtm/fm/h, X750e
Cyan High Yield Print Cartridge (15K)	00156032C	C752/dn/dtm/fm/h, C762/dn/dtm/h, X752e, X762e
Cyan High Yield Return Program Print Cartridge	00C780H1CG	C780dn/dtm/h, C782dn/dtm/h, X782e
Cyan High Yield Return Program Print Cartridge (15K)	00108042C	C750/dn/dtm/fm/h, X750e
Cyan High Yield Return Program Print Cartridge (15K)	00156042C	C752/dn/dtm/fm/h, C762/dn/dtm/h, X752e, X762e
Cyan High Yield Return Program Toner Cartridge	00C5240CH	C524/dn/dtm/h, C532dn/h, C534dn/dtm/h
Cyan High Yield Toner Cartridge	00C5242CH	C524/dn/dtm/h, C532dn/h, C534dn/dtm/h
Cyan High Yield Toner Cartridge	0C500H2CG	C500n, X500n, X502n
Cyan High Yield Toner Cartridge	0C3930H2CG	C935dn/dtm/dtn/hdn
Cyan High Yield Toner Cartridge (6.6K)	0020K1400	C510/dtm/h
Cyan Print Cartridge	00C780A20G	C780dn/dtm/h, C782dn/dtm/h, X782e
Cyan Print Cartridge (6K)	00108031C	C750/dn/dtm/fm/h, X750e
Cyan Print Cartridge (6K)	00156031C	C752/dn/dtm/fm/h, C762/dn/dtm/h, C760/dn/dtm/h, C762/dn/dtm/h, X752e, X762e
Cyan Return Program Print Cartridge	00156041C	C752/dn/dtm/fm/h, C762/dn/dtm/h, C760/dn/dtm/h, C762/dn/dtm/h, X752e, X762e
Cyan Return Program Print Cartridge	00C780A10G	C780dn/dtm/h, C782dn/dtm/h, X782e
Cyan Return Program Print Cartridge (6K)	00108041C	C750/dn/dtm/fm/h, X750e
Cyan Return Program Toner Cartridge	00C5200CS	C520n, C5300n
Cyan Return Program Toner Cartridge	00C5220CS	C522n, C524n/dtm/h, C5300n, C532dn/h, C534dn/dtm/h
Cyan Toner Cartridge	0012A1452	Optra Color 1200/1200n

Lexmark Supplies Compatibility Table

Cartridges and Photoconductor / Other Supplies

DESCRIPTION	PART #	MODEL
COLOR LASER		
Cyan Toner Cartridge	0012N0768	C910/dn/fm/in/h, C912/dm/h, X912e
Cyan Toner Cartridge	0015W0900	C720/dm/h, X720
Cyan Toner Cartridge	00C5202CS	C520n, C530dn
Cyan Toner Cartridge	00C5222CS	C522n, C524/dm/dtm/h, C530dn, C532dn/h, C534dn/dtm/h
Cyan Toner Cartridge	00C9202CH	C920/dm/dtm/h
Cyan Toner Cartridge	00C50S2CG	C500n, X500n, X502n
Cyan Toner Cartridge (3K)	002DK0500	C510/dm/h
Fuser Kit LV	0015W0908	C720/dm/h, X720
Fuser Maintenance Kit HV	00C50X29G	C500n, C510/dm/h, X500n, X502n
Fuser Maintenance Kit LV	00C50X28G	C500n, C510/dm/h, X500n, X502n
Lexmark C720 CORONA CHARGER (20K image)	0015W0918	C720/dm/h, X720
Lexmark C720 FUSER CLEANING ROLLER (12K)	0015W0905	C720/dm/h, X720
Lexmark C720 FUSER KIT HV (60K mono, 40K colour)	0015W0909	C720/dm/h, X720
Lexmark Extra High Yield Print Cartridge	00C7722MX	C725dn/dtm/h, X772e
Magenta Extra High Yield Print Cartridge	00C782X2MG	C782dn/dtm/h, X782e
Magenta Extra High Yield Return Program Print Cartridge	00C7720MX	C7725dn/dtm/h, X772e
Magenta Extra High Yield Return Program Print Cartridge	00C782X1MG	C782dn/dtm/h, X782e
Magenta High Yield Print Cartridge	00C780H2MG	C780dn/dtm/h, C782dn/dm/h, X782e
Magenta High Yield Print Cartridge (15K)	0010B032M	C750/dm/dtm/h/in/h, X750e
Magenta High Yield Print Cartridge (15K)	0015G032M	C752/dm/dtm/h/in/h, C762/dm/dtm/h, X752e, X762e
Magenta High Yield Return Program Print Cartridge	00C780H1MG	C780dn/dtm/h, C782dn/dtm/h, X782e
Magenta High Yield Return Program Print Cartridge (15K)	0010B042M	C750/dm/dtm/h/in/h, X750e
Magenta High Yield Return Program Print Cartridge (15K)	0015G042M	C752/dm/dtm/h/in/h, C762/dm/dtm/h, X752e, X762e
Magenta High Yield Return Program Toner Cartridge	00C5240MH	C524/dm/dtm/h, C532dn/h, C534dn/dtm/h
Magenta High Yield Toner Cartridge	00C5242MH	C524/dm/dtm/h, C532dn/h, C534dn/dtm/h
Magenta High Yield Toner Cartridge	00C500H2MG	C500n, X500n, X502n
Magenta High Yield Toner Cartridge	00C390H2MG	C935dn/dtm/dtm/h/hn
Magenta High Yield Toner Cartridge (6.6K)	0020K1401	C510/dm/h
Magenta High Yield Toner Cartridge (6.6K)	00C780X2MG	C780dn/dtm/h, C782dn/dtm/h, X782e
Magenta Print Cartridge	0010B031M	C750/dm/dtm/h/in/h, X750e
Magenta Print Cartridge (6K)	0015G031M	C752/dm/dtm/h/in/h, C760/dm/dtm/h, C762/dm/dtm/h, X752e, X762e

Lexmark Supplies Compatibility Table

Cartridges and Photoconductor / Other Supplies

DESCRIPTION	PART #	MODEL
COLOR LASER		
Magenta Return Program Print Cartridge	00156041M	C7521/dm/Ln/dm/dm/fn/n, C7660/dm/dm/fn/n, C7660/dm/dm/fn/n, C7662/dm/dm/fn/n, X752e, X762e
Magenta Return Program Print Cartridge	0007890A1MG	C7800n/dm/fn/n, C7820n/dm/fn/n, X782e
Magenta Return Program Print Cartridge (6K)	00108041M	C7500/dm/dm/fn/fn/n, X750e
Magenta Return Program Toner Cartridge	000C5200MS	C520n, C5300n
Magenta Return Program Toner Cartridge	000C5220MS	C522n, C524/dm/dm/fn/n, C5300n, C5320n/n, C5340n/dm/fn
Magenta Toner Cartridge	0012A1451	Optra Color 1200/1200n
Magenta Toner Cartridge	0012N0769	C910/dm/fn/fn/n, C912/dm/fn, X912e
Magenta Toner Cartridge	0015W0901	C720/dm/fn, X720
Magenta Toner Cartridge	000C5202MS	C520n, C5300n
Magenta Toner Cartridge	000C5222MS	C522n, C524/dm/dm/fn/n, C5300n, C5320n/n, C5340n/dm/fn
Magenta Toner Cartridge	000C9202MH	C920/dm/dm/fn
Magenta Toner Cartridge (3K)	0C500S2MG	C500n, X500n, X502n
Magenta Toner Cartridge (3K)	0020K0501	C510/dm/fn
Oil Bottle (12K)	0015W0906	C720/dm/fn, X720
Oil Coating Roller (14K)	00032035X	C910/dm/fn/fn/n, C912/dm/fn, C920/dm/dm/fn, X912e
PhotoDeveloper Cartridge	0C500X266	C500n, X500n, X502n
PhotoDeveloper Cartridge (40K images)	0020K0504	C510/dm/fn
PhotoDeveloper Kit (40K images)	0015W0904	C720/dm/fn, X720
Saddle Staple Cartridges (4 pack)	0021Z0357	C9350n/dm/dm/dm/fn/hn, X850e, X852e, X854e, X940e, X945e
Waste Toner Bottle	0015W0907	C720/dm/fn, X720
Waste Toner Bottle	0C500X27G	C500n, X500n, X502n
Waste Toner Bottle	0C930X766	C9350n/dm/dm/dm/fn/hn, X940e, X945e
Waste Toner Bottle (12K images)	0020K0505	C510/dm/fn
Waste Toner Container (30K images)	000C52025X	C520n, C522n, C524/dm/dm/fn/n, C5300n, C5320n/n, C5340n/dm/fn
Yellow Extra High Yield Print Cartridge	0007722YX	C7720n/dm/fn/n, X772e
Yellow Extra High Yield Return Program Print Cartridge	0007720YX	C7720n/dm/fn/n, X772e
Yellow Extra High Yield Return Program Print Cartridge	000C782X1YG	C7820n/dm/fn/n, X782e
Yellow High Yield Print Cartridge	000C7802YG	C7800n/dm/fn/n, C7820n/dm/fn/n, X782e
Yellow High Yield Print Cartridge (15K)	00108032Y	C7500/dm/dm/fn/fn/n, X750e
Yellow High Yield Print Cartridge (15K)	00156032Y	C7521/dm/dm/fn/fn/n, C762/dm/dm/fn/n, X752e, X762e

Lexmark Supplies Compatibility Table

Cartridges and Photoconductor / Other Supplies

DESCRIPTION	PART #	MODEL
COLOR LASER		
Yellow High Yield Return Program Print Cartridge	00C7804HYG	C780dn/dtn/h, C782dn/dtn/h, X782e
Yellow High Yield Return Program Print Cartridge (15K)	0010B04ZY	C750/dn/dtn/fn/in/n, X750e
Yellow High Yield Return Program Print Cartridge (15K)	0015G04ZY	C752/dn/dtn/fn/h, C762/dn/dtn/h, X752e, X762e
Yellow High Yield Return Program Toner Cartridge	00035240YH	C524/dn/dtn/n, C532dn/n, C534dn/dtn/n
Yellow High Yield Toner Cartridge	00035242YH	C524/dn/dtn/h, C532dn/h, C534dn/dtn/h
Yellow High Yield Toner Cartridge	00C500H2YG	C500n, X500n, X502n
Yellow High Yield Toner Cartridge (6.6K)	00C930H2YG	C930dn/dtn/dtn/h/hn
Yellow Print Cartridge	0020K140Z	C510/dtn/h
Yellow Print Cartridge (6K)	00C7804ZYG	C780dn/dtn/h, C782dn/dtn/h, X782e
Yellow Print Cartridge (6K)	0010B031Y	C750/dn/dtn/fn/in/n, X750e
Yellow Return Program Print Cartridge	0015G031Y	C752/Ln/Ldtn/Lv/dn/dm/h/n, C760/dn/dtn/h, C762/dn/dtn/h, X752e, X762e
Yellow Return Program Print Cartridge (6K)	0015G041Y	C752/Ln/Ldtn/Lv/dn/dm/h/n, C760/dn/dtn/h, C762/dn/dtn/h, X752e, X762e
Yellow Return Program Print Cartridge (6K)	00C78041YG	C780dn/dtn/h, C782dn/dtn/h, X782e
Yellow Return Program Toner Cartridge	0010B041Y	C750/dn/dtn/fn/in/n, X750e
Yellow Return Program Toner Cartridge	00C5200YS	C520n, C530dn
Yellow Return Program Toner Cartridge	00C5220YS	C522n, C524/dn/dtn/h, C530dn, C532dn/h, C534dn/dtn/h
Yellow Toner Cartridge	0012A1453	Optra Color 1200/1200n
Yellow Toner Cartridge	0012N0770	C910/dn/fn/in/n, C912/dn/h, X912e
Yellow Toner Cartridge	0015W090Z	C720/dn/h, X720
Yellow Toner Cartridge	00C5202YS	C520n, C530dn
Yellow Toner Cartridge	00C5222YS	C522n, C524/dn/dtn/h, C530dn, C532dn/h, C534dn/dtn/h
Yellow Toner Cartridge	00039202YH	C920/dn/dtn/h
Yellow Toner Cartridge	00C500S2YG	C500n, X500n, X502n
Yellow Toner Cartridge (3K)	0020K050Z	C510/dtn/h
LASER		
Staple Cartridge (3x3K)	0011K3188	C772dn/dtn/h, C782dn/dtn/h, C910n, C920/dn/dtn/h, T632dnf, T634dnf, T644/dm/h/n, T642/dm/n/tn, T640/dn/dm/n/tn, X646ef, X750e, X912e
MONO LASER		
11K Return Program Toner Cartridge	0E450H1E	E450dn
11K Toner Cartridge	0E450H21E	E450dn
4019, 4029, 4028 High Yield Print Cartridge	001380520	4028 Laser Printers, 4029, IBM 4019, MiniWriter 600

Lexmark Supplies Compatibility Table

Cartridges and Photoconductor / Other Supplies

DESCRIPTION	PART #	MODEL
MONO LASER		
6K Return Program Toner Cartridge	0E450A11E	E450dn
6K Toner Cartridge	0E450A21E	E450dn
E312 Print Cartridge	0013T0101	Optra E310/E312/E312L
E312 Print Cartridge	0013T0301	Optra E310/E312/E312L
E321, E323 High Yield Return Program Print Cartridge (6K)	0012A7405	E320, E323/n
E33X, E34X High Yield Return Program Toner Cartridge	0034016HE	E330, E332n/n, E340, E342n/n
E33X, E34X High Yield Toner Cartridge	0034036HE	E330, E332n/n, E340, E342n/n
E33X, E34X Return Program Toner Cartridge (2.5K)	0024016SE	E230, E232/n, E240/n, E330, E332n/n, E340, E342n/n
E33X, E34X Toner Cartridge (2.5K)	0024036SE	E230, E232/n, E240/n, E330, E332n/n, E340, E342n/n
E35X 3.5K RP Toner Cartridge	0E250A11E	E250d/dn, E350d, E352dn
E35X 3.5K Toner Cartridge	0E250A21E	E250d/dn, E350d, E352dn
E35X 9K Return Program Toner Cartridge	0E352H11E	E350d, E352dn
E35X 9K Toner Cartridge	0E352H21E	E350d, E352dn
E35X, E450 30X Photoconductor Kit	0E250X22G	E250d/dn, E350d, E352dn, E450dn
Extra High Yield Print Cartridge	0012A7365	T632/dn/dm/n, T634/dn/dm/dm/n/n, X632/e/s, X634dte/e
Extra High Yield Print Cartridge	0064436XE	T644/dm/n/n
Extra High Yield Return Program Print Cartridge	0012A7465	T632/dn/dm/n, T634/dn/dm/dm/n/n, X632/e/s, X634dte/e
Extra High Yield Return Program Print Cartridge	0064416XE	T644/dm/n/n
Extra High Yield Return Program Print Cartridge for Label Applications	0064404XE	T644/dm/n/n
High Yield Print Cartridge	0008A0477	E320, E322/n
High Yield Print Cartridge	0012A6735	T520/d/dn/n, T522/dn/n, X520, X522/s
High Yield Print Cartridge	0012A7305	E320, E323/n
High Yield Print Cartridge	0012A7315	T420w/dn
High Yield Print Cartridge	0012A7362	T630/dn/n, T632/dn/dm/n, T634/dn/dm/dm/n/n, X630, X632/e/s, X634dte/e
High Yield Print Cartridge	0012A6825	T430w/dn
High Yield Print Cartridge	001380850	4039
High Yield Print Cartridge	001382150	4039, Optra plus
High Yield Print Cartridge	004K00199	Optra M410/M410n
High Yield Print Cartridge	0064036HE	T640/dn/dm/n/n, T642/dm/n/n, T644/dm/n/n
High Yield Print Cartridge (30K)	0012A6765	T620/dn/n/n, T622/dm/n/n, X620e
High Yield Return Program Print Cartridge	0012A6835	T520/d/dn/n, T522/dn/n, X520, X522/s

Lexmark Supplies Compatibility Table

Cartridges and Photoconductor / Other Supplies

DESCRIPTION	PART #	MODEL
MONO LASER		
High Yield Return Program Print Cartridge	0012A7415	T4200/dn
High Yield Return Program Print Cartridge	0012A7462	T6300/dn/n, T632/dn/dtn/f/n, T634/dn/dtn/dtn/f/n, X630, X632/e/s, X634dte/e
High Yield Return Program Print Cartridge	0012A8425	T4300/d/dn
High Yield Return Program Print Cartridge	0064016HE	T640/dn/dtn/n/n, T642/dtn/n/n, T644/dtn/n/n
High Yield Return Program Print Cartridge (6K)	0012A6865	T620/dn/n/n, T622/dn/n/n, X620e
High Yield Return Program Print Cartridge (6K)	0008A0478	E320, E322/n
High Yield Return Program Print Cartridge for Label Applications	0012A6839	T520/d/dn/n, T522/dn/n, X520, X522/s
High Yield Return Program Print Cartridge for Label Applications	0012A7468	T6300/dn/n, T632/dn/dtn/f/n, T634/dn/dtn/dtn/f/n, X630, X632/e/s, X634dte/e
High Yield Return Program Print Cartridge for Label Applications	0064004HE	T640/dn/dtn/n/n, T642/dtn/n/n, T644/dtn/n/n
Lexmark E321, E323 Print Cartridge	0012A7300	E320, E323/n
M412 High Yield Print Cartridge	0017G0154	Optra M410/M410n/M412/M412n
M412 Print Cartridge	0017G0152	Optra M410/M410n/M412/M412n
Photoconductor Kit	000W84030H	Optra W810/W810n/W810n
Photoconductor Kit	0012026XW	W840/dn/n
Photoconductor Kit (25K)	0012L0251	E120/n
Photoconductor Kit (30K)	0012A8302	E230, E232/A, E240/n, E330, E332n/n, E340, E342/n/n
Photoconductor Unit (20K)	006968257	E+, Ep, Es, Optira E
Print Cartridge	0008A0475	E320, E322/n
Print Cartridge	0010S0150	E210
Print Cartridge	0012A0725	Optira Se 3455
Print Cartridge	0012A6730	T520/d/dn/n, T522/dn/n, X520, X522/s
Print Cartridge	0012A7310	T4200/d/dn
Print Cartridge	0012A7360	T6300/dn/n, T632/dn/dtn/f/n, T634/dn/dtn/dtn/f/n, X630, X632/e/s, X634dte/e
Print Cartridge	0012A8320	T4300/d/dn
Print Cartridge	0012B0090	W820/dn/n, X820e/fe
Print Cartridge	001380850	4039
Print Cartridge	001382100	4039, Optira plus
Print Cartridge	0014K0050	W812/dtn/n
Print Cartridge	0064036SE	T640/dn/dtn/n/n, T642/dtn/n/n, T644/dtn/n/n
Print Cartridge (10K)	0012A6760	T620/dn/n/n, T622/dn/n/n, X620e
Print Cartridge (25K)	0012S0300	E220

Lexmark Supplies Compatibility Table

Cartridges and Photoconductor / Other Supplies

DESCRIPTION	PART #	MODEL
MONO LASER		
Print Unit	0011A4096	Optra K 1220
Return Program Print Cartridge	0012A0825	Optra Se 3455
Return Program Print Cartridge	0012A6830	T520/d/dn/n, T522/dn/n, X520, X522/s
Return Program Print Cartridge	0012A7400	E320, E323/n
Return Program Print Cartridge	0012A7410	T420/d/dn
Return Program Print Cartridge	0012A7460	T630/dn/n, T632/dn/dn/n, T634/dn/dn/dn/n/n, X630, X632/e/s, X634dte/e
Return Program Print Cartridge	0012A8420	T430/d/dn
Return Program Print Cartridge	0064016SE	T640/dn/dn/n/n, T642/dn/n/n, T644/dn/n/n/n
Return Program Print Cartridge (10K)	0012A6860	T620/dn/n/n, T622/dn/n/n, X620e
Return Program Print Cartridge (2.5K)	0012S0400	E220
Return Program Print Cartridge (3K)	0008A0476	E320, E322/n
Return Program Print Cartridge for Label	0012A6869	T620/dn/n/n, T622/dn/n/n, X620e
Return Program Print Cartridge for Label Applications	0012A0829	Optra Se 3455
Return Program Toner Cartridge (2K)	0012016SE	E120/n
S High Yield Print Cartridge	001382825	Optra S 1250/S 1255/S 1620/S 1625/S 1650/S 1855/S 2420/S 2450/S 2455
S High Yield Return Program Print Cartridge	001382825	Optra S 1250/S 1255/S 1620/S 1625/S 1650/S 1855/S 2420/S 2450/S 2455
S High Yield Return Program Print Cartridge for Label Applications	001382829	Optra S 1250/S 1255/S 1620/S 1625/S 1650/S 1855/S 2420/S 2450/S 2455
S Return Program Print Cartridge	001382820	Optra S 1250/S 1255/S 1620/S 1625/S 1650/S 1855/S 2420/S 2450/S 2455
Staple Cartridges (3 pack)	0025A0013	C935dn/dtm/dtm/n/h/n, W840/dn/n, X850e, X852e, X854e, X940e, X945e
T High Yield Print Cartridge	0012A5745	Optra T610/T610n/T612/T614/T614n/T614n/T616/T616n
T High Yield Return Program Print Cartridge	0012A5845	Optra T610/T610n/T612/T614/T614n/T614n/T616/T616n
T High Yield Return Program Print Cartridge for Label Applications	0012A5849	Optra T610/T610n/T612/T614/T614n/T614n/T616/T616n
T Print Cartridge	0012A5740	Optra T610/T610n/T612/T614/T614n/T614n/T616/T616n
T Return Program Print Cartridge	0012A5840	Optra T610/T610n/T612/T614/T614n/T614n/T616/T616n
Toner Cartridge	0012A4605	Optra K 1220
Toner Cartridge	0012L0250	Optra W810/W810dn/W810n
Toner Cartridge	006968256	E+, Ep, Es, Optra E
Toner Cartridge	00W84020H	W840/dn/n
Toner Cartridge (2K)	0012036SE	E120/n
Toner Cartridges (Pack of 2)	0011A4097	Optra K 1220
W810 Staple Cartridges (3 pack)	0012L0252	Optra W810/W810dn/W810n, W820/dn/n, X820e/r/e, X830e, X832e

Lexmark Supplies Compatibility Table

Cartridges and Photoconductor / Other Supplies

DESCRIPTION	PART #	MODEL
MULTIFUNCTION		
Black High Yield Print Cartridge	0X560H2KG	X560dn/n
Black High Yield Toner Cartridge	0X945Y2KG	X940e, X945e
Cyan High Yield Print Cartridge	0X560H2CG	X560dn/n
Cyan High Yield Toner Cartridge	0X945Y2CG	X940e, X945e
Cyan Print Cartridge	0X560A2CG	X560dn/n
Extra High Yield Print Cartridge (32K)	0X644Y21E	X644e, X646dte/ef
Extra High Yield Return Program Print Cartridge (32K)	0X644Y11E	X644e, X646dte/ef
High Yield Print Cartridge	0012A3715	X422
High Yield Print Cartridge (21K)	0X644H21G	X642e, X644e, X646dte/ef
High Yield Return Program Print Cartridge (21K)	0012A4715	X422
High Yield Return Program Print Cartridge (21K)	0X644H11E	X642e, X644e, X646dte/ef
High Yield Return Program Toner Cartridge	0X340H11G	X342n
High Yield Toner Cartridge	0X340H21G	X342n
Magenta High Yield Print Cartridge	0X560H2MG	X560dn/n
Magenta High Yield Toner Cartridge	0X945Y2MG	X940e, X945e
Magenta Print Cartridge	0X560A2MG	X560dn/n
Photoconductor Kit	0X340H22G	X340/n, X342n
Print Cartridge	0X850H22G	X850e, X852e, X854e
Print Cartridge	0012A3710	X422
Print Cartridge	0018S0090	X215
Print Cartridge	00X8302KH	X830e, X832e
Print Cartridge (10K)	0X644A21E	X642e, X644e, X646dte/ef
Return Program Print Cartridge	0012A4710	X422
Return Program Print Cartridge (10K)	0X644A11E	X642e, X644e, X646dte/ef
Return Program Toner Cartridge	0X340A11G	X340/n, X342n
Toner Cartridge	0X340A21G	X340/n, X342n
X85xe Toner Cartridge (30K)	0X850H21G	X850e, X852e, X854e
Yellow High Yield Print Cartridge	0X560H2YG	X560dn/n
Yellow High Yield Toner Cartridge	0X945Y2YG	X940e, X945e
Yellow Print Cartridge	0X560A2YG	X560dn/n

Lexmark Supplies Compatibility Table

Cartridges and Photoconductor / Other Supplies

DESCRIPTION	PART #	MODEL
DOT MATRIX		
23XX, 24XX Standard Ribbon	0011A3540	2380, 2381, 2390, 2391, 2480, 2481, 2490, 2491, 2580/n, 2581/n, 2590/n, 2591/n
24XX High Yield Ribbon	0011A3550	2480, 2481, 2490, 2491, 2580/n, 2581/n, 2590/n, 2591/n
Ribbon Forms Printer 42Z7	0013LD034	42Z7

Lexmark Supplies Compatibility Table

Lexmark Linea Print Cartridges for HP and Canon Printers

DESCRIPTION	PART #	MODEL
Linea Laser Cartridge for BX engine	00140100A	BROTHER HL 8PSS, CalcComp - CCL1200 ES/ 600 - ES - XF; CANON LBP B 4066, LBP BXII; GENCOM 9080; HP LaserJet 4V/ 4MV; OCE - 6450/ 6451; QMS 860 Plus/ 1660 Plus
Linea LASER CARTRIDGE FOR MX ENGINE PRINTERS	00140109A	CANON LBP 2460; HP LaserJet 5Si/ 5Si MX/ 5Si NX/ 5Si Mopier, LaserJet 8000/ 8000N/ 8000DN; QMS 2425
Lexmark Linea Extra Long Life Print Cartridge for HP LaserJet 4000 and Lexmark Linea Print Cartridge for HP LaserJet 4000 and 4050 Series	00140127X 00140127A	CANON LBP 1760/ 1760E/ 1760NE/ 52X, HP LaserJet 4000/ 4000N/ 4000T/ 4000TN, LaserJet 4050/ 4050N/ 4050T/ 4050TN CANON LBP 1760/ 1760E/ 1760NE/ 52X; HP LaserJet 4000/ 4000N/ 4000T/ 4000TN, LaserJet 4050/ 4050N/ 4050T/ 4050TN
Linea Laser Cartridge for IX engine - Standard	00140191A	CANON LBP IX/ IX600; DEC Printserver 171 600; GENCOM 9170; HP LaserJet III/ IIIi/ 4Si/ 4Si MX; Lexmark - Optra N; QMS 1725/ SLS/ E Print Systems
Linea EP-32 Long Life Print cartridge	00140196A	CANON LBP 1000/ EP-32; HP LaserJet 2100/ 2100SE/ 2100X/ 2100M/ 2100TN, LaserJet 2200/ 2200D/ 2200DT/ 2200N/ 2200DTN
Linea Extra Long Life LASER CARTRIDGE FOR EX ENGINE PRINTERS	00140198X	APPLE LaserWriter Pro 600/ 630, LaserWriter 16/ 600 PS; BROTHER HL 1260/ 1660/ DX/ E/ NE/ NTR/ PS; CANON LBP 8 IV/ 8 Mark IV/ EX/ P270, LBP 860/ 1260; DEC DECLaser 5100; HP LaserJet 4/ 4M/ 4+ / 4M+, LaserJet 5/ 5M/ 5N;
Linea LASER CARTRIDGE FOR EX ENGINE PRINTERS	00140198A	APPLE LaserWriter Pro 600/ 630, LaserWriter 16/ 600 PS; BROTHER HL 1260/ 1660/ DX/ E/ NE/ NTR/ PS; CANON LBP 8 IV/ 8 Mark IV/ EX/ P270, LBP 860/ 1260; DEC DECLaser 5100; HP LaserJet 4/ 4M/ 4+ / 4M+, LaserJet 5/ 5M/ 5N;

Lexmark Supplies Compatibility Table

Paper & Transparencies

COLOR INK/JET	DESCRIPTION	PART #	MODEL
PerfectFinish™ Photo Paper A4 PerfectFinish™ Photo Paper, 10x15 cm (100) PerfectFinish™ Photo Paper, 10x15 cm (50)		001910205	X4850, X4875, X4950, X4975/ve, X6570, X6575, X7550, X7675, X9350, X9575, Z1520
		001910200	X4850, X4875/ve, X6570, X6575, X7550, X7675, X9350, X9575, Z1520
		001910190	X4850, X4875/ve, X6570, X6575, X7550, X7675, X9350, X9575, Z1520
Photo Paper A4 (20)		008001706	1000, 1020, 1100, 2030, 2050, 2055, 2070, 3000, 7000, 7200/V, ExecuJet Ilic, F4270, Home Copier Plus, J110, Medley, Optra Color 40/45/45n, P3120, P3150, P4310, P4330, P4350, P6250, P6350, P706, P707, P915, Winwriter 150c, X1110, X1130, X1150, X1170, X1180, X1190, X1195, X1250/PRO, X1270, X2230, X2350, X2450, X2470, X2480, X2500, X2510, X2530, X2550, X2680, X2690, X3310, X3330, X3450, X3470, X3480, X3530, X3550, X3560, X3650, X4250, X4530, X4550, X4580, X4650, X4660, X5070, X5075, X5130, X5150, X5190pro, X5250, X5270, X5410, X5450, X5470, X5490, X5495, X5650, X5650, X6150, X6170, X6190pro, X63, X6650, X6675, X6690, X70, X7170, X73/10/50, X74, X75, X80, X83/10/50, X84, X85, Z11, Z12, Z13, Z1300, Z1310, Z1320, Z1380, Z1410, Z1420, Z1480, Z22, Z23, Z2300, Z2320, Z2390, Z23e, Z2420, Z2490, Z25, Z31, Z32, Z33, Z35, Z42, Z43, Z45, Z45se, Z51, Z511, Z515, Z517, Z52, Z53, Z54, Z54se, Z55, Z55se, Z601, Z602, Z605, Z611, Z612, Z614, Z615, Z617, Z640, Z645, Z65, Z65n, Z65pp, Z65ppro, Z703, Z705, Z715, Z730, Z735, Z815, Z845
		002160708	1000, 1020, 1100, 2030, 2050, 2055, 2070, 3000, 3200, 5000, 5700, 7000, 7200/V, ExecuJet Ilic, F4270, Home Copier Plus, J110, Medley, Optra Color 40/45/45n, P3120, P3150, P4310, P4330, P4350, P6250, P6350, P706, P707, P915, Winwriter 150c, X1110, X1130, X1150, X1170, X1180, X1190, X1195, X1250/PRO, X1270, X2230, X2350, X2450, X2470, X2480, X2500, X2510, X2530, X2550, X2680, X2690, X3310, X3330, X3450, X3470, X3480, X3530, X3550, X3560, X3650, X4250, X4530, X4550, X4580, X4650, X4660, X5070, X5075, X5130, X5150, X5190pro, X5250, X5270, X5410, X5450, X5470, X5490, X5495, X5650, X5660, X6150, X6170, X6190pro, X63, X6650, X6675, X6690, X70, X7170, X73/10/50, X74, X75, X80, X83/10/50, X84, X85, Z11, Z12, Z13, Z1300, Z1310, Z1320, Z1380, Z1410, Z1420, Z1480, Z22, Z23, Z2300, Z2320, Z2390, Z23e, Z2420, Z2490, Z25, Z31, Z32, Z33, Z35, Z42, Z43, Z45, Z45se, Z51, Z511, Z515, Z517, Z52, Z53, Z54, Z54se, Z55, Z55se, Z601, Z602, Z605, Z611, Z612, Z614, Z615, Z617, Z640, Z645, Z65, Z65n, Z65pp, Z65ppro, Z703, Z705, Z715, Z730, Z735, Z815, Z845
Photo Paper A4-Size		008001903	1000, 1020, 1100, 2030, 2050, 2055, 2070, 3000, 7000, 7200/V, ExecuJet Ilic, F4270, Home Copier Plus, J110, Medley, Optra Color 40/45/45n, P3120, P3150, P4310, P4330, P4350, P6250, P6350, P706, P707, P915, Winwriter 150c, X1110, X1130, X1150, X1170, X1180, X1190, X1195, X1250/PRO, X1270, X2230, X2350, X2450, X2470, X2480, X2500, X2510, X2530, X2550, X2680, X2690, X3310, X3330, X3450, X3470, X3480, X3530, X3550, X3560, X3650, X4250, X4530, X4550, X4580, X4650, X4660, X5070, X5075, X5130, X5150, X5190pro, X5250, X5270, X5410, X5450, X5470, X5490, X5495, X5650, X5660, X6150, X6170, X6190pro, X63, X6650, X6675, X6690, X70, X7170, X73/10/50, X74, X75, X80, X83/10/50, X84, X85, Z11, Z12, Z13, Z1300, Z1310, Z1320, Z1380, Z1410, Z1420, Z1480, Z22, Z23, Z2300, Z2320, Z2390, Z23e, Z2420, Z2490, Z25, Z31, Z32, Z33, Z35, Z42, Z43, Z45, Z45se, Z51, Z511, Z515, Z517, Z52, Z53, Z54, Z54se, Z55, Z55se, Z601, Z602, Z605, Z611, Z612, Z614, Z615, Z617, Z640, Z645, Z65, Z65n, Z65pp, Z65ppro, Z703, Z705, Z715, Z730, Z735, Z815, Z845

Lexmark Supplies Compatibility Table

Paper & Transparencies

COLOR INK/JET		MODEL
DESCRIPTION	PART #	
Premium Glossy Photo Paper - Photo Size 10x15	002160710	F4270, Home Copier Plus, Optra Color 45/45n, P3120, P315, P3150, P4310, P4330, P4350, P450, P6250, P6350, P706, P707, P915, X1110, X1130, X1150, X1170, X1180, X1190, X1195, X1250/0/proc, X1270, X2230, X2240, X2250, X2310, X2330, X2450, X2470, X2480, X2500, X2510, X2530, X2550, X2560, X2600, X2620, X2630, X2650, X2680, X3310, X3330, X3350, X3450, X3470, X3480, X3530, X3550, X3580, X3650, X4250, X4530, X4550, X4650, X4680, X5070, X5075, X5130, X5150, X5190/0/proc, X5290, X5270, X5410, X5450, X5470, X5490, X5495, X5630, X5650, X6690, X6150, X6170, X6190/0/proc, X63, X6650, X6675, X6690, X70, X7170, X737/10/50, X74, X75, X80, X83/10/50, X84, X85, Z1300, Z1310, Z1320, Z1380, Z1410, Z1420, Z1480, Z2300, Z2320, Z2390, Z2420, Z2480, Z25, Z35, Z45, Z45se, Z511, Z515, Z517, Z55, Z55se, Z601, Z602, Z605, Z611, Z612, Z614, Z615, Z617, Z640, Z645, Z65, Z65n, Z65p, Z65ppro, Z703, Z705, Z715, Z730, Z735, Z735, Z845
Premium Glossy Photo Paper - Photo Size 10x15	002160711	F4270, Home Copier Plus, Optra Color 45/45n, P3120, P315, P3150, P4310, P4330, P4350, P450, P6250, P6350, P706, P707, P915, X1110, X1130, X1150, X1170, X1180, X1190, X1195, X1250/0/proc, X1270, X2230, X2240, X2250, X2310, X2330, X2450, X2470, X2480, X2500, X2510, X2530, X2550, X2560, X2600, X2620, X2630, X2650, X2680, X3310, X3330, X3350, X3450, X3470, X3480, X3530, X3550, X3580, X3650, X4250, X4530, X4550, X4650, X4680, X5070, X5075, X5130, X5150, X5190/0/proc, X5290, X5270, X5410, X5450, X5470, X5490, X5495, X5630, X5650, X6690, X6150, X6170, X6190/0/proc, X63, X6650, X6675, X6690, X70, X7170, X737/10/50, X74, X75, X80, X83/10/50, X84, X85, Z1300, Z1310, Z1320, Z1380, Z1410, Z1420, Z1480, Z2300, Z2320, Z2390, Z2420, Z2480, Z25, Z32, Z35, Z45, Z45se, Z511, Z515, Z517, Z54se, Z55se, Z601, Z602, Z605, Z611, Z612, Z614, Z615, Z617, Z640, Z645, Z65, Z65n, Z65p, Z65ppro, Z703, Z705, Z715, Z730, Z735, Z735, Z845
Premium Glossy Photo Paper A4	002160709	1000, 1020, 1100, 2030, 2050, 2055, 2070, 3000, 3200, 5000, 5700, 7000, 7200/V, ExecJet Ilic, F4270, Home Copier Plus, J110, Medley, Optra Color 40/45/45n, P3120, P3150, P4310, P4330, P4350, P6250, P6350, P706, P707, P915, Winwriter, 150c, X1110, X1130, X1150, X1170, X1180, X1190, X1195, X1250/0/proc, X1270, X2230, X2240, X2250, X2310, X2330, X2450, X2470, X2480, X2500, X2510, X2530, X2550, X2560, X2600, X2620, X2630, X2650, X2680, X3310, X3330, X3350, X3470, X3480, X3530, X3550, X3580, X3650, X4250, X4530, X4550, X4650, X4680, X5070, X5075, X5130, X5150, X5190/0/proc, X5290, X5270, X5410, X5450, X5470, X5490, X5495, X5630, X5650, X6690, X6150, X6170, X6190/0/proc, X63, X6650, X6675, X6690, X70, X7170, X737/10/50, X74, X75, X80, X83/10/50, X84, X85, Z11, Z12, Z13, Z1300, Z1320, Z1380, Z1410, Z1420, Z1480, Z22, Z23, Z2390, Z2320, Z2390, Z23se, Z420, Z2480, Z25, Z32, Z33, Z35, Z42, Z43, Z45, Z45se, Z51, Z511, Z515, Z517, Z52, Z53, Z54, Z54se, Z55, Z55se, Z601, Z602, Z605, Z611, Z612, Z614, Z615, Z617, Z640, Z645, Z65, Z65n, Z65p, Z65ppro, Z703, Z705, Z715, Z730, Z735, Z845

Lexmark Supplies Compatibility Table

Paper & Transparencies

DESCRIPTION		PART #	MODEL
COLOR INK/JET			
Premium Photo iPaper A4 (15)	0080D1707	1000, 1020, 1100, 2030, 2050, 2055, 2070, 3000, 3200, 5000, 5700, 7000, 7200/V, ExecJet Ilic, F4270, Home Copier Plus, J110, Medley, Optra Color 40/45/45n, P3120, P3150, P4310, P4330, P4350, P6350, P706, P707, P915, Winwriter 190c, X1110, X1130, X1150, X1170, X1180, X1190, X1195, X125.0/ pro, X1270, X2230, X2240, X2250, X2310, X2330, X2350, X2470, X2480, X2580, X2510, X2530, X2550, X2580, X2600, X2620, X2630, X2650, X2690, X3310, X3330, X3350, X3450, X3470, X3480, X3530, X3550, X3580, X4250, X4250, X4530, X4550, X4650, X4690, X5070, X5075, X5130, X5150, X5190pro, X5250, X5270, X5410, X5450, X5470, X5490, X5495, X5630, X5650, X6150, X6170, X6190pro, X63, X6650, X6675, X6690, X70, X7170, X7310/50, X74, X75, X80, X8310/050, X84, X85, Z11, Z12, Z13, Z1300, Z1310, Z1320, Z1380, Z1410, Z1420, Z1480, Z22, Z23, Z2300, Z2320, Z2390, Z23e, Z2420, Z2490, Z25, Z31, Z32, Z33, Z35, Z42, Z43, Z45, Z45se, Z51, Z511, Z515, Z517, Z52, Z53, Z54, Z54se, Z55, Z55se, Z601, Z602, Z605, Z611, Z612, Z614, Z615, Z617, Z640, Z645, Z65, Z65n, Z65p, Z65pro, Z703, Z705, Z715, Z730, Z735, Z815, Z845	
Premium Photo Paper A4 (2 x 15-sheet pack)	0080D1893	1000, 1020, 1100, 2030, 2050, 2055, 2070, 3000, 3200, 5000, 5700, 7000, 7200/V, ExecJet Ilic, F4270, Home Copier Plus, J110, Medley, Optra Color 40/45/45n, P3120, P3150, P4310, P4330, P4350, P6350, P706, P707, P915, Winwriter 190c, X1110, X1130, X1150, X1170, X1180, X1190, X1195, X125.0/ pro, X1270, X2230, X2240, X2250, X2310, X2330, X2350, X2470, X2480, X2500, X2510, X2530, X2550, X2580, X2600, X2620, X2630, X2650, X2690, X3310, X3330, X3350, X3450, X3470, X3480, X3530, X3550, X3580, X4250, X4530, X4550, X4650, X4690, X5070, X5075, X5130, X5150, X5190pro, X5250, X5270, X5410, X5450, X5470, X5490, X5495, X5630, X5650, X6150, X6170, X6190pro, X63, X6650, X6675, X6690, X70, X7170, X7310/50, X74, X75, X80, X8310/050, X84, X85, Z11, Z12, Z13, Z1300, Z1310, Z1320, Z1380, Z1410, Z1420, Z1480, Z22, Z23, Z2300, Z2320, Z2390, Z23e, Z2420, Z2490, Z25, Z31, Z32, Z33, Z35, Z42, Z43, Z45, Z45se, Z51, Z511, Z515, Z517, Z52, Z53, Z54, Z54se, Z55, Z55se, Z601, Z602, Z605, Z611, Z612, Z614, Z615, Z617, Z640, Z645, Z65, Z65n, Z65p, Z65pro, Z703, Z705, Z715, Z730, Z735, Z815, Z845	
COLOR LASER			
Banner Laser Paper	0012A7940	C912/dn/n, C920/dn/dtn/n, X912e	
Banner Laser Paper	0012A8940	C762/dn/dtn/n, C772dn/dtn/n, C782dn/dtn/n, X762e, X772e, X782e	
Glossy Laser Paper, A4 (200)	0012A5951	C500n, C510/dtn/n, C520n, C522n, C524/dn/dtn/n, C530dn, C532dn/n, C534dn/dtn/n, C540n, C543dn, C544dn/dtn/dw/n, C750/dn/dtn/fn/n, C752/L/dn/ Ldn/Ln/dn/dtn/fn/n, C760/dn/dtn/n, C762/dn/dtn/n, C770dn/dtn/n, C772dn/dtn/n, C780dn/dtn/n, C782dn/dtn/n, C910/dn/fn/n, C912/dn/n, C920/dn/dtn/n, C935dn/dtn/dtn/h/n, X900n, X502n, X543dn, X544dn/dtn/dw/n, X560dn/n, X750e, X752e, X762e, X772e, X782e, X912e, X940e, X945e	
Glossy Laser Paper, Letter (200)	0012A5950	C500n, C510/dtn/n, C520n, C522n, C524/dn/dtn/n, C530dn, C532dn/n, C534dn/dtn/n, C540n, C543dn, C544dn/dtn/dw/n, C750/dn/dtn/fn/n, C752/L/dn/ Ldn/Ln/dn/dtn/fn/n, C760/dn/dtn/n, C762/dn/dtn/n, C770dn/dtn/n, C772dn/dtn/n, C780dn/dtn/n, C782dn/dtn/n, C910/dn/fn/n, C912/dn/n, C920/dn/dtn/n, C935dn/dtn/dtn/h/n, X900n, X502n, X543dn, X544dn/dtn/dw/n, X560dn/n, X750e, X752e, X762e, X772e, X782e, X912e, X940e, X945e	
Outdoor Media, A4	0012A8601	C762/dn/dtn/n, C772dn/dtn/n, C782dn/dtn/n, X782e	

Lexmark Supplies Compatibility Table

Paper & Transparencies

DESCRIPTION		PART #	MODEL
COLOR LASER			
Professional Colour Laser Transparencies, A4	0012A8241	C500n, C510/dm/n, C520n, C522n, C524/dm/dm/n, C530dn, C532dn/n, C534dn/dm/n, C540n, C546dn, C544dn/dm/n, C720/dm/n, C750/dm/dm/n/n, C752/L/Ldm/Ldm/Ldm/dm/n/n, C760/dm/dm/n, C762/dm/dm/n, C770dn/dm/n, C772dn/dm/n, C780dn/dm/n, C782dn/dm/n, C910/dm/n/n, C912/dm/n, C920/dm/dm/n, C935dn/dm/dm/dm/n, Optra C710 Color Laser Printer/C710dn/C710n Color Laser Printer/Color 1200/Color 1200n, X500n, X502n, X543dn, X544dn/dm/dm/n, X560dn/n, X720, X750e, X762e, X772e, X782e, X912e, X940e, X945e	
MONO LASER			
Laser Printer Transparencies (A4)	001053741	245, Optra/N 240/S 1250/S 1255/S 1620/S 1625/S 1650/S 1855/S 2420/S 2450/S 2455/Se 3455/7610/7610n/7612/7614/7614n/7614n/7616/7616m/plus, T520/d/dm/n, T522/dm/n, T620/dm/n/n, T622/dm/n/n, X520, X522/s, X620e	
Laser Printer Transparencies (LTR - T)	001053740	245, Optra/N 240/S 1250/S 1255/S 1620/S 1625/S 1650/S 1855/S 2420/S 2450/S 2455/Se 3455/7610/7610n/7612/7614/7614n/7614n/7616/7616m/plus, T520/d/dm/n, T522/dm/n, T620/dm/n/n, T622/dm/n/n, X520, X522/s, X620e	
Lexmark Laser Printers - A4 Transparency	0012A5010	4028 Laser Printers, 4029, 4039, 600, E+, E120/n, E210, E220, E230, E232/n, E240/n, E250d/dm, E260/d/dm, E260/n, E320, E322/n, E330, E332n/n, E340, E342n/n, E350d, E352dn, E360d/dm, E4500dn, E4600n/dm, Ep. Es, IBM 4019, IBM 4037 5E Page Printer, Optra E/E310/E312/E312L/K 1220/IM410/IM410n/IM412/IM412n/W810/W810dn/W810n, 1420d/dm, 1430/d/dm, T630/dm/n, T632/dm/dm/n, T634/dm/dm/n/n, T640/dm/dm/n/n, T642/dm/n/n, T644/dm/n/n, ValueWriter 300, W812/dm/n, W820/dm/n, W840/dm/n, WinWriter 600, WinWriter 600, WinWriter 400, X215, X340/n, X342n, X422, X630, X632/e/s, X634dte/e, X642e, X644e, X646dte/e/ef, X820e/fe, X830e, X832e, X850e, X852e, X854e	
PHOTO PRODUCTS			
10 x 15 cm Photo Printing Pack	008002122	P315, P450	
Lexmark P350 Photo Kit	018Y0146E	P350	

Lexmark Authorized Parts Distributors

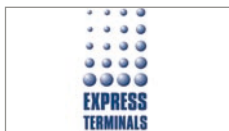


France, Spain, Portugal, Poland, UK, Sweden, South Africa, Russia, Italy, Norway

EUROPARTS SA

82, Rue Villeneuve
Espace Clichy
92110 Clichy

Tel: +33 1 41 27 21 00
Fax: +33 1 41 27 21 19
www.euro-parts.com



France, Belgium, Turkey, UK, Bulgaria, Croatia

EXPRESS TERMINALS

The College business Park
Kearsley Road
Ripon HG4 2RN
England

Tel: + 44 (0)870 3977377
Fax: +44 (0) 1765 694199
www.expressterminals.com



France, Germany

EAF SUPPLIES GMBH

borsigstr. 8
d-47574 goch

Tel: +49 (0)2823-9313-0
Fax: +49 (0)2823-9313-30
www.eaf-gmbh.de



Spain, Portugal

IT DISTRIBUTION SA

C/Aragoneses No 15
Pol. Ind. Alcobendas
28100 Alcobendas
Madrid

Tel: +34 91 771 33 70
Fax: +34 91 371 77 29
www.itdistribution.com

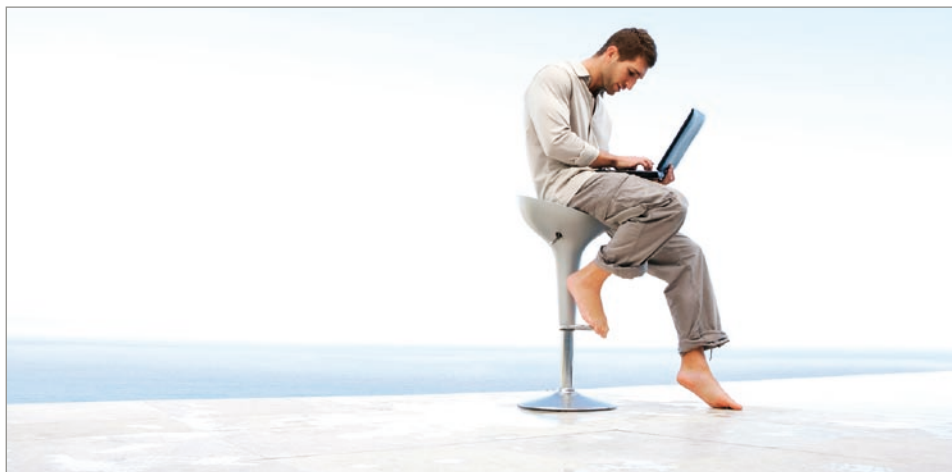


France, Germany, Italy, Sweden, Netherlands, Norway, Denmark, Finland

EET DENMARK

Topstykket 24
DK-3460 Birkerød

Tel: +45 45 82 19 19
Fax: +45 45 82 16 09
www.eet.dk



Sweden, Denmark, Finland, Netherlands, Norway, Poland, Lithuania
**MK ELECTRONICS
SCANDINAVIA AB**

Box 194,
431 23 Mölndal
Sweden

Tel: +46 (0) 31 334 25 00
Tel: +46 (0) 31 334 25 90
www.mkelectronics.com



Germany
TOMTECH

Am seegraben 18
63505
Langenselbold

Tel: +49-6184-/9271-0
Fax: +49-6184-9271-71
www.tomtech.de



Italy, Germany, Austria, Poland
**MK COMPUTER
ELECTRONIC GMBH**

Heilbronner Straße 11
D - 73037 Göppingen

Tel: +49-7161-6066-0
Fax: +49-7161-6066-170
www.mk-electronic.de



Switzerland, Hungary, Slovakia
SWISSPARTS AG

Siloring 9
5606 Dintikon

Tel: +41 848 84 74 64
www.swissparts.ch



UK
XMA LIMITED

Unit 44
Wilford Industrial Estate
Ruddington Lane
Nottingham - NG11 7EP

Tel: +44 (0)115 846 4578
joan.peterkin@xma.co.uk

Lexmark Maintenance Kit

COLOR LASER		MODEL	PART #	DESCRIPTION	YIELD
C520n, C522n, C524n/dn/dtn/n	C520n, C522n, C524n/dn/dtn/n		0040X1400	Fuser Maintenance Kit LV	120,000 pages
C520n, C522n, C524n/dn/dtn/n	C520n, C522n, C524n/dn/dtn/n		0040X1401	Transfer Belt Maintenance Kit	120,000 pages
C520n, C522n, C524n/dn/dtn/n	C520n, C522n, C524n/dn/dtn/n		0040X1402	Fuser Maintenance Kit HV	120,000 pages
C520n, C522n, C524n/dn/dtn/n	C520n, C522n, C524n/dn/dtn/n		0040X1403	Fuser Maintenance Kit 100V	120,000 pages
C520n, C522n, C524n/dn/dtn/n, C530dn, C532dn/n, C534dn/dtn/n	C520n, C522n, C524n/dn/dtn/n, C530dn, C532dn/n, C534dn/dtn/n		0040X3569	Fuser Maintenance Kit LV	120,000 pages
C520n, C522n, C524n/dn/dtn/n, C530dn, C532dn/n, C534dn/dtn/n	C520n, C522n, C524n/dn/dtn/n, C530dn, C532dn/n, C534dn/dtn/n		0040X3570	Fuser Maintenance Kit HV	120,000 pages
C530dn, C532dn/n, C534dn/dtn/n	C530dn, C532dn/n, C534dn/dtn/n		0040X3572	Transfer Belt Maintenance Kit	120,000 pages
C750/dn/dtn/n, C752/LA/dn/dtn/Ln/dn/dtn/tv/n, X750e, X752e	C750/dn/dtn/n, C752/LA/dn/dtn/Ln/dn/dtn/tv/n, X750e, X752e		001266496	Fuser Maintenance Kit 115V	150,000 pages = C750; 200,000 pages = C752
C750/dn/dtn/n, C752/LA/dn/dtn/Ln/dn/dtn/tv/n, X750e, X752e	C750/dn/dtn/n, C752/LA/dn/dtn/Ln/dn/dtn/tv/n, X750e, X752e		001266497	Fuser Maintenance Kit 220V	150,000 pages = C750; 200,000 pages = C752
C750/dn/dtn/n, C752/LA/dn/dtn/Ln/dn/dtn/tv/n, X750e, X752e	C750/dn/dtn/n, C752/LA/dn/dtn/Ln/dn/dtn/tv/n, X750e, X752e		001266498	Fuser Maintenance Kit 100V	150,000 pages = C750; 200,000 pages = C752
C752/LA/dn/dtn/Ln/dn/dtn/tv/n, C760/dn/dtn/n, C762/dn/dtn/n, X762e	C752/LA/dn/dtn/Ln/dn/dtn/tv/n, C760/dn/dtn/n, C762/dn/dtn/n, X762e		0056P1296	Intermediate Transfer Unit Maintenance Kit	105,000 pages
C760/dn/dtn/n, C762/dn/dtn/n, X762e	C760/dn/dtn/n, C762/dn/dtn/n, X762e		0056P2948	Intermediate Transfer Unit Maintenance Kit	120,000 pages
C760/dn/dtn/n, C762/dn/dtn/n, X762e	C760/dn/dtn/n, C762/dn/dtn/n, X762e		0056P2910	Fuser Maintenance Kit 115V	200,000 pages
C760/dn/dtn/n, C762/dn/dtn/n, X762e	C760/dn/dtn/n, C762/dn/dtn/n, X762e		0056P2911	Fuser Maintenance Kit 220V	200,000 pages
C770dn/dtn/n, C772dn/dm/n, X772e	C770dn/dtn/n, C772dn/dm/n, X772e		0056P2912	Fuser Maintenance Kit 100V	200,000 pages
C770dn/dtn/n, C772dn/dm/n, X772e	C770dn/dtn/n, C772dn/dm/n, X772e		0040X1680	Intermediate Transfer Unit Maintenance Kit	120,000 pages
C770dn/dtn/n, C772dn/dm/n, X772e	C770dn/dtn/n, C772dn/dm/n, X772e		0040X1859	Fuser Maintenance Kit 115V	200,000 pages
C770dn/dtn/n, C772dn/dm/n, X772e	C770dn/dtn/n, C772dn/dm/n, X772e		0040X1860	Fuser Maintenance Kit 220V	200,000 pages
C780dn/dtn/n, C782dn/dm/n, X782e	C780dn/dtn/n, C782dn/dm/n, X782e		0040X1826	Image Transfer Unit Maintenance Kit	120,000 pages
C780dn/dtn/n, C782dn/dm/n, X782e	C780dn/dtn/n, C782dn/dm/n, X782e		0040X1832	Fuser Maintenance Kit 220V	120,000 pages
C910/dn/fv/n, C912/dn/n, X912e	C910/dn/fv/n, C912/dn/n, X912e		0056P9900	Fuser Maintenance Kit LV	105,000 pages
C910/dn/fv/n, C912/dn/n, X912e	C910/dn/fv/n, C912/dn/n, X912e		0056P9901	Fuser Maintenance Kit HV	105,000 pages
C910/dn/fv/n, C912/dn/n, X912e	C910/dn/fv/n, C912/dn/n, X912e		0056P9903	Transfer Belt Maintenance Kit	120,000 pages
C920/dn/dm/n	C920/dn/dm/n		0040X1250	Fuser Maintenance Kit HV	105,000 pages
C920/dn/dm/n	C920/dn/dm/n		0040X1251	Transfer Belt Maintenance Kit	120,000 pages

Lexmark Maintenance Kit

MONO LASER	MODEL	PART #	DESCRIPTION	YIELD
Optra T610/T610n		0089A1765	T612 Fuser Maintenance Kit 220V	300,000 pages
Optra T614/T614n/T614ni/T616/T616n		0089A1763	T616 Fuser Maintenance Kit 220V	300,000 pages
Optra W810/W810dn/W810n		0012G3420	Fuser Kit 220V	250,000 pages
Optra W810/W810dn/W810n		0012G3421	Fuser Kit 110V	250,000 pages
Optra W810/W810dn/W810n		0012G3425	Transfer Roll Maintenance Kit	150,000 pages
T620/dn/n/n, X620e		0089A2407	Fuser Maintenance Kit 220V	300,000 pages
T622/dn/n/n		0089A2410	Fuser Maintenance Kit 220V	300,000 pages
T640/dn/dtm/n/n, T642/dtm/n/n, T644/dtm/n/n, X642e, X644e, X646te/e		0040X0127	Dual Charge Roll Assembly	300,000 pages
T640/dn/dtm/n/n, T642/dtm/n/n, T644/dtm/n/n, X642e, X644e, X646te/e/ef		0040X0130	Transfer Roll Assembly	300,000 pages
T640/dn/dtm/n/n, T642/dtm/n/n, T644/dtm/n/n, X642e, X644e, X646te/e/ef		0040X2865	Oil Fuser Wiper	not define
T640/dn/dtm/n/n, T642/dtm/n/n, T644/dtm/n/n, X642e, X644e, X646te/e/ef		0040X2866	Wax Fuser Wiper	not define
W812/dtm/n		0066P0885	Fuser Maintenance Kit 220V	100,000 pages
W820/dn/n, X820e/fe, X830e, X832e		0012G4182	Fuser Maintenance Kit 110V	300,000 pages
W820/dn/n, X820e/fe, X830e, X832e		0012G4183	Fuser Maintenance Kit 220V	300,000 pages
W840/dn/n		0040X0957	Fuser Maintenance Kit HV	300,000 pages
MULTIFUNCTION				
3100, X242, X520, X630, X632s		0012G5823	Lexmark X242, 3100 MFP Option Pick Pad	20,000 pages
3200, X443, X4500, X522/s, X620e, X632e, X634dte/e, X720, X750e, X752e, X762e		0056P0079	Lexmark X443, X4500, 3200 Pick Pad	40,000 pages
4600, X4600, X646ef, X772e, X782e		0040X2538	MFP Option Separator (Pick) Roll Pad	~40,000 pages
4600, X4600, X646ef, X772e, X782e		0040X2540	MFP Option Pick Roller	~120,000 pages
5500, X912e		0066P2049	Lexmark 5500 MFP Option Pick Pad with Roller	40,000 page scans
X215		0056P1923	Lexmark X215 MFP Pick Pad with Roll Assembly	~ 20,000 pages
X340/n, X342n		0040X2401	ADF Pick Roller	20,000 pages
X340/n, X342n		0040X2404	ADF Pick Roll Pad	20,000 pages
X340/n, X342n		0040X3499	ADF High Friction Pick Roll Pad	20,000 pages
X422		0056P2649	Lexmark X422 MFP Pick Pad with Roller	~ 40,000 pages

Lexmark Maintenance Kit

MODEL	PART #	DESCRIPTION	YIELD
MULTIFUNCTION			
X560n/n	0040X4860	Fuser 230V	100,000 pages
X560n/n	0040X4861	Fuser 230V	100,000 pages
X560n/n	0040X4862	Multipurpose feeder separator roll kit	100,000 pages
X560n/n	0040X4865	Multipurpose feeder feed kit	100,000 pages
X560n/n	0040X4866	Feed roll kit (250/550-sheet tray)	100,000 pages
X560n/n	0040X4868	Transfer belt	100,000 pages
X560n/n	0040X4924	ADF maintenance kit	100,000 pages
X642e, X644e, X646dte/e	0040X0453	ADF Pick Up Assembly	~120,000 pages
X642e, X644e, X646dte/e	0040X0454	Separator Roll Assembly	~120,000 pages
X642e, X644e, X646dte/e	0040X0466	Flatbed White Cushion	not define
X7500, X820e/fe, X830e, X832e	0012G6867	Lexmark X7500 MFP Option Pick Pad	60,000 pages
X7500, X820e/fe, X830e, X832e	0056P1807	Lexmark X7500 MFP Option High Friction Pad	60,000 pages
X850e, X852e, X854e	0040X2375	Fuser Maintenance Kit LV	300,000 pages
X850e, X852e, X854e	0040X2376	Fuser Maintenance Kit HV	300,000 pages
COLOR LASER			
C750/dn/dtm/fm/n/n, C752/LA/dn/Ldtn/Ln/dm/dtm/fm/n, X750e, X752e	0012G6302	Fuser HV	150,000 pages = C750; 200,000 pages = C752
C910/dn/fm/n/n, C912/dn/n, X912e	0056P9752	Fuser HV	105,000 pages
C935dn/dtm/dtm/hdn, X940e, X945e	0040X4031	Maintenance Kit, 100K, 110V	100,000 pages
C935dn/dtm/dtm/hdn, X940e, X945e	0040X4032	Maintenance Kit, 600K	600,000 pages
C935dn/dtm/dtm/hdn, X940e, X945e	0040X4093	Maintenance Kit, 100K, 220V	100,000 pages
MONO LASER			
E250/dn, E350i, E352dn, E450dn	0040X2848	Fuser Maintenance Kit HV	120,000 pages
T420/dm, X422	0056P2041	Fuser Maintenance Kit 220V	200,000 pages
T430/d/dn	0056P2337	Fuser Maintenance Kit 220V	200,000 pages
T520/d/dn/n, T522/dn/n, X520, X522/s	009902421	Fuser Maintenance Kit 220V	250,000 pages
T630/dn/n, T632/dn/dtm/fn, X630, X632/e/s, X634dte/e	0056P1412	Fuser Maintenance Kit 220V	300,000 pages
T634/dn/dtm/dtm/fn/n	0056P1656	Fuser Maintenance Kit 220V	300,000 pages
T640/dn/dtm/n/n, T642/dtm/n/n, T644/dm/n/n, X642e, X644e, X646dte/e/ef	0040X0100	Fuser Maintenance Kit LV	300,000 pages

Lexmark Maintenance Kit

MODEL	PART #	DESCRIPTION	YIELD
MONO LASER T640/dn/dtn/n/tn, T642/dtn/n/tn, T644/dtn/n/tn, X642e, X644e, X646dte/e/ef	0040X0101	Fuser Maintenance Kit HV	300,000 pages
MULTIFUNCTION X850e, X852e, X854e X940e, X945e	0040X2734 0040X4033	ADF Maintenance Kit ADF Maintenance Kit	150,000 pages 150,000 pages

Lexmark Standard Service Offerings

Since printing is a vital part of your business, Lexmark has developed a range of service offerings to ensure you security, peace of mind and a greater return on your investment. Total satisfaction being the core objective, these offerings provide you with the tools to keep business moving, including fast and reliable intervention from our specialised technical team.

How does Lexmark deliver the service?

Depending on the type of product, different levels of service are available to our customers

RETURN TO BASE

Return to base offers you remote product support by both telephone and Internet, as well as a dependable return process in case of product defect. In the event of a need for repair action, the helpdesk will instruct you to return the defected product at a Lexmark-designated location in your area. You will receive it back usually within five to seven days in serviced areas. This service covers offsite repair or equipment replacement, all parts and labour, and the return shipment straight to your door.

EXCHANGE

A valuably priced offering, Exchange ensures you a fast and effective door-to-door process. The way it works is simple: We pick up your defective hardware unit (after you remove the cartridge and any options), simultaneously bringing to you an operational unit, and then repair or replace the defective unit offsite. All parts and labour are included. You also benefit from remote support by both telephone and Internet.

ON-SITE EXCHANGE

On Site Exchange is a convenient and comprehensive exchange service that makes your life easier. While you focus on your business, Lexmark takes care of everything, including pickup of the defective product (after having removed the cartridge and any options), offsite repair or replacement, and complete reinstallation. You also benefit from telephone and Web-based support. Response time is usually next business day in serviced areas and can be adapted to your specific requests. This may vary depending on the type of product.

ON-SITE REPAIR

With On-Site Repair, a Lexmark-authorized specialist comes to your home or office to analyse and repair your defective device directly on-site. The specialist will also make sure your product meets Lexmark's most stringent standards of quality and performance. This offering includes telephone and Web-based support, all parts and labour, complete on-site repair and testing. Response time is usually next business day in serviced areas and can be adapted to your specific requests. This may vary depending on the type of product.

REPLACEMENT

Replacement ensures you a fast and effective door-to-door repair process. The way it works is simple: we bring you a practically new product without any cartridge or any options, and will come back later to collect your defective product. Response time is usually within 1 to 5 business days in serviced areas. All parts and labour are included. You also benefit from remote support by both telephone and Internet.



Which service offering fits you best?

Extended Guarantee

Expanding the coverage of your base guarantee, the extended guarantee prolongs service for a period of one, two or three years. It must be continuous from the base guarantee without a gap (lapsed coverage) and may be purchased only once. In very special cases, signing a four-year extended guarantee contract is possible. For such a request, contact Lexmark directly.

Renewal Guarantee

The ability to renew an extended guarantee, or a previous renewal guarantee, is available for one year at a time, providing there is no gap in coverage. Renewal guarantees can be purchased each year as long as the reference is available in Lexmark's official pricing list. This new offering gives you the flexibility to benefit from your printer for an extended amount of time until a new installed base purchase is made.

Base Guarantee Upgrade

At any moment during your initial base guarantee – but not exceeding it – you can opt for an even higher level of service, such as on-site support and exchange.

Maintenance Kit Installation

When you purchase a new Maintenance Kit from Lexmark, a Lexmark authorised service partner can come to you to install it – or even sell you a new one on site. Maintenance Kits include a fuser unit, or transfer belt, as well as wearable parts.

Lexmark Standard Service Offerings

MODEL	DESCRIPTION	PART #
COLOR LASER		
C500n	1 Year OnSite Repair/ Extended Guarantee	0023-48670
C500n	2 Year OnSite Repair/ Extended Guarantee	0023-48671
C500n	1 Year Renewal OnSite Repair/ Guarantee	0023-48674
C510/dtn/n	1 Year OnSite Repair/ Guarantee Renewal	0023-47600
C522n	1 Year OnSite Repair/ Guarantee Renewal	0023-48160
C524/dn/dtn/n	1 Year OnSite Repair/ Guarantee Renewal	0023-48178
C530dn	1 Year OnSite Repair/ Extended Guarantee	0023-48617
C530dn	2 Year On site Repair/ Extended Guarantee	0023-48618
C530dn	1 Year Renewal on site repair/ Guarantee	0023-49197
C532dn/n	1 Year OnSite Repair/ Extended Guarantee	0023-48656
C532dn/n	2 Year OnSite Repair/ Extended Guarantee	0023-48657
C532dn/n	1 Year Renewal OnSite Repair/ Guarantee	0023-49206
C534dn/dtn/n	1 Year OnSite Repair/ Extended Guarantee	0023-48626
C534dn/dtn/n	2 Year OnSite Repair/ Extended Guarantee	0023-48627
C534dn/dtn/n	1 Year Renewal OnSite Repair/ Guarantee	0023-49203
C720/dn/n	1 Year Renewal OnSite Repair/ Extended Warranty	0023-47601
C750/dn/dtn/fn/n/n/n	1 Year Renewal OnSite Repair/ Extended Warranty	0023-47602
C752/dn/dtn/fn/n	1 Year Renewal OnSite Repair/ Extended Warranty	0023-47603
C760/dn/dtn/n	1 Year OnSite Repair/ Guarantee Renewal	0023-47604
C762/dn/dtn/n	1 Year OnSite Repair/ Guarantee Renewal	0023-47605
C770dn/dtn/n	1 Year Renewal OnSite Repair/ Guarantee	0023-48683
C772dn/dtn/n	1 Year Renewal OnSite Repair/ Guarantee	0023-48692
C780dn/dtn/n	1 Year OnSite Repair/ Extended Guarantee	0023-49392
C780dn/dtn/n	2 Year OnSite Repair/ Extended Guarantee	0023-49393
C780dn/dtn/n	3 Year OnSite Repair/ Extended Guarantee	0023-49394
C780dn/dtn/n	1 Year Renewal OnSite Repair/ Extended Guarantee	0023-49396
C782dn/dtn/n	1 Year OnSite Repair/ Extended Guarantee	0023-49404
C782dn/dtn/n	2 Year OnSite Repair/ Extended Guarantee	0023-49405
C782dn/dtn/n	3 Year OnSite Repair/ Extended Guarantee	0023-49406
C782zn/dtn/n	1 Year Renewal OnSite Repair/ Extended Guarantee	0023-49408
C910/dn/fn/n/n	1 Year Renewal OnSite Repair/ Guarantee	0023-47606

Lexmark Standard Service Offerings

MODEL	DESCRIPTION	PART #
COLOR LASER		
C912/n	1 Year OnSite Repair Guarantee Renewal	002347607
C912dn	1 Year OnSite Repair Guarantee Renewal	002347747
C920/dn/dtm/n	2 Year OnSite Repair Guarantee (1+1)	002347505
C920/dn/dtm/n	3 Year OnSite Repair Guarantee (1+2)	002347506
C920/dn/dtm/n	4 Year OnSite Repair Guarantee (1+3)	002347507
C920/dn/dtm/n	1 Year OnSite Repair Guarantee Renewal	002347608
C9350n/dtm/dtm/h/dn	1 Year OnSite Repair Extended Guarantee	002349440
C9350n/dtm/dtm/h/dn	2 Year OnSite Repair Extended Guarantee	002349441
C9350n/dtm/dtm/h/dn	3 Year OnSite Repair Extended Guarantee	002349442
C9350n/dtm/dtm/h/dn	1 Year Renewal OnSite Repair Guarantee	002349444
DOT MATRIX		
2490, 2481, 2490, 2491	Total 2 Year OnSite Repair Guarantee (1+1)	002346092
2490, 2481, 2490, 2491	Total 3 Year OnSite Repair Guarantee (1+2)	002346093
2490, 2481, 2490, 2491	Total 4 Year OnSite Repair Guarantee (1+3)	002346094
2490, 2481, 2490, 2491	1 Year OnSite Repair Guarantee Renewal	002347599
2580/n, 2581/n, 2590/n, 2591/n	1 Year OnSite Repair Extended Warranty	002349642
2580/n, 2581/n, 2590/n, 2591/n	2 Year OnSite Repair Extended Warranty	002349643
2580/n, 2581/n, 2590/n, 2591/n	3 Year OnSite Repair Extended Warranty	002349644
4227	Total 2 Year OnSite Repair Guarantee (1+1)	002346452
4227	Total 3 Year OnSite Repair Guarantee (1+2)	002346453
4227	Total 4 Year OnSite Repair Guarantee (1+3)	002346454
4227	1 Year OnSite Repair Guarantee Renewal	002347598
MONO LASER		
E120/n	Upgrade to OnSite Exchange Extended Guarantee	002348355
E120/n	1 Year Exchange Extended Guarantee Renewal	002348368
E120/n	1 Year Return-to-Base Extended Guarantee	002348374
E120/n	2 Year Return-to-Base Extended Guarantee	002348375
E120/n	Upgrade to Exchange Extended Guarantee	002348378
E120/n	1 Year Return-to-Base Extended Guarantee Renewal	002348386
E232/t	1 Year Return-to-Base Guarantee Renewal	002347611
E232t	1 Year OnSite Exchange Guarantee Renewal	002347612

Lexmark Standard Service Offerings

MODEL	DESCRIPTION	PART #
MONO LASER		
E327A	1 Year Exchange Guarantee Renewal	002347613
E240/n	1 Year Onsite Exchange Guarantee Renewal	002348094
E240/h	1 Year Return-to-Base Guarantee Renewal	002348095
E250d/dn	1 Year Exchange Extended Guarantee	002349100
E250d/dh	Exchange base guarantee upgrade	002349194
E250d/dn	1 Year Return to base Extended Guarantee	002349210
E250d/dh	2 Year Return to Base Extended Guarantee	002349211
E250d/dn	1 Year Return-to-Base Extended Warranty Renewal	002349214
E330	1 Year Return-to-Base Guarantee Renewal	002347616
E330	1 Year Onsite Exchange Guarantee Renewal	002347617
E330	1 Year Exchange Guarantee Renewal	002347618
E332n/fm	1 Year Exchange Guarantee Renewal	002347619
E332n/fh	1 Year Onsite Exchange Guarantee Renewal	002347620
E332n/fm	1 Year Return-to-Base Guarantee Renewal	002347621
E340, E342n/fh	Standard Guarantee Upgrade to Exchange	002348100
E340, E342n/fm	1 Year Onsite Exchange Guarantee Renewal	002348122
E340, E342n/fh	1 Year Return-to-Base Guarantee Renewal	002348123
E350d, E352dn	Exchange base guarantee exchange	002349195
E350d, E352dh	1 Year Return to Base Extended Guarantee	002349218
E350d, E352dn	2 Year Return-to-Base Extended Guarantee	002349219
E350d, E352dh	1 Year Return-to-Base Extended Guarantee Renewal	002349222
E450dn	On site repair base guarantee upgrade	002349165
E450dn	1 Year Onsite Repair Extended Guarantee	002349166
E450dn	2 Year Onsite Repair Extended Warranty	002349167
E450dn	1 Year Renewal Onsite Repair Guarantee	002349170
E450dn	1 Year Return-to-Base Extended Guarantee	002349225
E450dn	2 Year Return-to-Base Extended Guarantee	002349226
E450dn	3 Year Return to Base Extended Guarantee	002349227
E450dn	1 Year Return-to-Base Extended Guarantee Renewal	002349229
T420d/dn	1 Year Onsite Exchange Guarantee Renewal	002347624
T420d/dh	1 Year Renewal Onsite Repair Extended Warranty	002347973

Lexmark Standard Service Offerings

MODEL	DESCRIPTION	PART #
MONO LASER		
T430/d/dn	1 Year OnSite Repair Guarantee Renewal	002347625
T430/d/dn	1 Year Return-to-Base Guarantee Renewal	002347626
T620/dn/n/n	1 Year Renewal OnSite Repair Extended Warranty	002347632
T622/dn/n/n	1 Year Renewal OnSite Repair Extended Warranty	002347633
T630/dn/n	1 Year OnSite Repair Guarantee Renewal	002347915
T632/dn/dn/n	1 Year OnSite Repair Guarantee Renewal	002347916
T634/dn/dn/dn/n/n	2 Year OnSite Repair Guarantee Renewal	002347917
T640/dn/dn/n/n	1 Year OnSite Repair Guarantee Renewal	002347459
T640/dn/dn/n/n	2 Year OnSite Repair Guarantee (1+1)	002347460
T640/dn/dn/n/n	3 Year OnSite Repair Guarantee (1+2)	002347461
T640/dn/dn/n/n	4 Year OnSite Repair Guarantee (1+3)	002347461
T640/dn/dn/n/n	1 Year OnSite Repair Guarantee Renewal	002348064
T642/dn/n/n	2 Year OnSite Repair Guarantee (1+1)	002347476
T642/dn/n/n	3 Year OnSite Repair Guarantee (1+2)	002347477
T642/dn/n/n	4 Year OnSite Repair Guarantee (1+3)	002347478
T642/dn/n/n	1 Year OnSite Repair Guarantee Renewal	002348066
T644/dn/n/n	2 Year OnSite Repair Guarantee (1+1)	002347493
T644/dn/n/n	3 Year OnSite Repair Guarantee (1+2)	002347494
T644/dn/n/n	4 Year OnSite Repair Guarantee (1+3)	002347495
T644/dn/n/n	1 Year OnSite Repair Guarantee Renewal	002348068
W812/dn/n	1 Year OnSite Repair Guarantee Renewal	002347918
W820/dn/n	1 Year OnSite Repair Guarantee Renewal	002347919
W840/dn/n	2 Year OnSite Repair Guarantee (1+1)	002347512
W840/dn/n	3 Year OnSite Repair Guarantee (1+2)	002347513
W840/dn/n	4 Year OnSite Repair Guarantee (1+3)	002347514
W840/dn/n	1 Year OnSite Repair Guarantee Renewal	002347640
MULTIFUNCTION		
3100	1 Year OnSite Exchange Guarantee Renewal	002347813
3200	1 Year OnSite Exchange Guarantee Renewal	002347925
4600, X4600	1 Year OnSite Repair Extended Guarantee	002348399
4600, X4600	2 Year OnSite Repair Extended Guarantee	002348400
4600, X4600	1 Year Renewal OnSite Repair Guarantee	002348403

Lexmark Standard Service Offerings

MODEL	DESCRIPTION	PART #
MULTIFUNCTION		
5500	1Year OnSite Repair Guarantee Renewal	002347818
X215	OnSite Exchange - 2 Year Extended Guarantee	002346133
X215	1Year OnSite Exchange Guarantee Renewal	002347641
X340	1Year OnSite Repair Extended Guarantee	002348714
X340	2Year OnSite Repair Extended Guarantee	002348715
X340	3Year OnSite Repair Ext Warranty	002348716
X340	1Year Renewal OnSite Repair Guarantee	002348718
X340n	1Year OnSite Repair Extended Warranty	002348731
X340n	2Year OnSite Repair Extended Warranty	002348732
X340n	3Year OnSite Repair Extended Warranty	002348733
X340n	1Year Renewal OnSite Repair Guarantee	002348735
X342n	1Year OnSite Repair Extended Guarantee	002348748
X342n	2Year OnSite Repair Extended Guarantee	002348749
X342n	3Year OnSite Repair Ext Warranty	002348750
X342n	1Year Renewal OnSite Repair Guarantee	002348752
X422	1Year OnSite Repair Guarantee Renewal	002347815
X4500	1Year OnSite Repair Guarantee Renewal	002347816
X500n, X502n	1Year OnSite Repair Extended Guarantee	002349428
X500n, X502n	2Year OnSite Repair Extended Guarantee	002349429
X500n, X502n	3Year OnSite Repair Extended Guarantee	002349430
X500n, X502n	1Year Renewal OnSite Repair Extended Guarantee	002349432
X560n/n	2Year Total (1+1) OnSite Repair Extended Guarantee	002349754
X560n/n	3Year Total (1+2) OnSite Repair Extended Guarantee	002349755
X560n/n	1Year Renewal OnSite Repair Extended Warranty	002349758
X630	3Year OnSite Repair Guarantee (1 +2)	002345977
X630	4Year OnSite Repair Guarantee (1 +3)	002345978
X630	1Year OnSite Repair Guarantee Renewal	002347920
X632	1Year Renewal OnSite Repair Extended Warranty	002347646
X632e	1Year OnSite Repair Guarantee Renewal	002347645
X632s	1Year OnSite Repair Guarantee Renewal	002347647
X634t/e/e	1Year OnSite Repair Guarantee Renewal	002347648

Lexmark Standard Service Offerings

MODEL	DESCRIPTION	PART #
MULTIFUNCTION		
X642e	1 Year OnSite Repair Extended Guarantee	0023-48757
X642e	2 Year OnSite Repair Extended Guarantee	0023-48758
X642e	3 Year OnSite Repair Extended Guarantee	0023-48759
X642e	1 Year Renewal OnSite Repair Guarantee	0023-48761
X644e	1 Year OnSite Repair Extended Guarantee	0023-48309
X644e	2 Year OnSite Repair Extended Guarantee	0023-48310
X644e	3 Year OnSite Repair Extended Guarantee	0023-48311
X644e	1 Year Renewal OnSite Repair Guarantee	0023-48317
X6460lte/e	1 Year OnSite Repair Extended Guarantee	0023-48322
X6460lte/e	2 Year OnSite Repair Extended Guarantee	0023-48323
X6460lte/e	3 Year OnSite Repair Extended Guarantee	0023-48324
X6460lte/e	1 Year Renewal OnSite Repair Guarantee	0023-48330
X646ef	1 Year OnSite Repair Extended Guarantee	0023-48296
X646ef	2 Year OnSite Repair Extended Guarantee	0023-48297
X646ef	3 Year OnSite Repair Extended Guarantee	0023-48298
X646ef	1 Year Renewal OnSite Repair Guarantee	0023-48304
X7500	1 Year OnSite Repair Guarantee Renewal	0023-47822
X752e	1 Year OnSite Repair Guarantee Renewal	0023-47651
X762e	1 Year OnSite Repair Guarantee Renewal	0023-47652
X772e	1 Year Renewal OnSite Repair Guarantee	0023-48701
X782e	1 Year OnSite Repair Extended Guarantee	0023-49416
X782e	2 Year OnSite Repair Extended Guarantee	0023-49417
X782e	3 Year OnSite Repair Extended Guarantee	0023-49418
X782e	1 Year Renewal OnSite Repair Guarantee	0023-49420
X820e/fe	1 Year OnSite Repair Guarantee Renewal	0023-47825
X850e	1 Year Extended OnSite Repair or 600,000 pages	0023-48408
X850e	2 Years OnSite Repair Extended or 1.2 million pages	0023-48409
X850e	3 Years Extended OnSite Repair or 1.8 million pages	0023-48410
X850e	1 Year Renewal OnSite Repair or 600,000 pages	0023-48412
X852e	1 Year Extended OnSite Repair or 600,000 pages	0023-48421
X852e	2 Years OnSite Repair Extended or 1.2 million pages	0023-48422

Lexmark Standard Service Offerings

MODEL	DESCRIPTION	PART #
MULTIFUNCTION		
X852e	3/Years Extended OnSite Repair or 1.8 million pages	0023-48423
X852e	1/Year Renewal OnSite Repair or 600,000 pages	0023-48425
X854e	1/Year OnSite Repair Extended or 600,000 pages	0023-48434
X854e	2/Years OnSite Repair Extended or 1.2 million pages	0023-48435
X854e	3/Years OnSite Repair Extended or 1.8 million pages	0023-48436
X854e	1/Year Renewal OnSite Repair or 600,000 pages	0023-48438
X912e	1/Year OnSite Repair Guarantee Renewal	0023-47854
X940e, X945e	1/Year OnSite Repair Extended Guarantee	0023-49452
X940e, X945e	2/Year OnSite Repair Extended Guarantee	0023-49453
X940e, X945e	3/Year OnSite Repair Extended Guarantee	0023-49454
X940e, X945e	1/Year Renewal OnSite Repair Guarantee	0023-49456

Lexmark Standard Service Offerings

The Multifunction Installation Packs

The Light Installation Pack (Level 1)

The light installation pack offers you a smooth delivery and assembly of your MFD device in a fast and methodical way, saving you valuable time. With this pack our Lexmark service engineers take care of all the preparation from unpacking and installation to device configuration. The Lexmark MFD is more than a high performance, high-quality printer. The Lexmark MFD merges print, copy and scan functions into a single space-saving device.

Level 1 detailed description:

- Unpacking the hardware
- Assembling the solution
- Assembling the scanner cabinet
- Installing the scanner
- Fitting the printer trays (1)
- Connecting:
 - > The mains
 - > The network
 - > The telephone line
- Preparing the printing solution (1)
- Loading paper consumables (1)
- Installing the photo-conductor (1)
- Fitting the quick reference board (1)
- Installing the cartridge (1)
- Fitting the paper jam board (1)
- Performing a power up test
- Setting the operator panel for option (1)
- Setting the operator panel for printer
- Printing out the printer menus page
- Performing a copy test
- Collecting the empty packing materials

001INEU01	Pack MFD Installation Low A4 L1	X642e
001INEU02	Pack MFD Installation High A4 L1	X644e/X646e/X646dte
001INEU04	Pack MFD Installation High A3 L1	X850e/X852e/X854e
001INEU05	Pack MFD Installation Scanner L1	4600 MFP Option

The Pro Installation Pack (Level 2)

The Pro MFD installation pack gives you quick and easy access to these functions. Our service engineers will take care of all the installation and set up activities, as well as training a user group. This allows the device to be up and running quickly for the end user.

Level 2 detailed description: All elements of Installation level 1 + (6)

- Declaring the printer on the client's network (TCP/IP setup) (1- 4)
(TCP/IP address, netmask, gateway, hostname)
- Installing or giving guidance regarding driver installation on one server or one windows PC
(Customer's choice) (3)
- Configuring and setting up the different modules (Copy, fax, scan to PC)
- Installing the Lexmark Scan-back software on one customer station (software supplied with the option)(3)
- Training a user group of up to 5 people
- Setting up and configuring the fax
- Setting up of scan to e-mail (5)

002INEU01	Pack MFD Installation Low A4 L2	X642e
002INEU02	Pack MFD Installation High A4 L2	X644e/X646e/X646dte
002INEU04	Pack MFD Installation High A3 L2	X850e/X852e/X854e
002INEU05	Pack MFD Installation Scanner L2	4600 MFP Option

(1)Not applicable for the "Scanner only" Installation. (2)If installed. (3)MFD and server or PC have to be on same physical location. (4)Available for operating systems Windows 98, 2000, NT, ME, XP Others on demand. (5)This task includes only the set-up of the customer's mailbox. The task set-up does not cover the resolution of other potential problems regarding the mailbox. Non set-up related problems should be handled via Call Centre support. (6)IT manager or engineer should be present on site during installation.

Lexmark Service Offerings

Maintenance Kit Installation

Lexmark can make your life easier with the Maintenance Kit Installation service. A highly qualified technician will come on site and replace your used maintenance kit with your new one, with only a short delay.

Maintenance Kits Installation

Products		Financial & Pack PN
On-site	Lexmark Mono Printers A4	002348031
	Lexmark Color Printers A4	002348032
	Lexmark Mono Printers A3	002348033
	Lexmark Color Printers A3	002348034

Choosing the right service for you

THE OFFERING YOU NEED

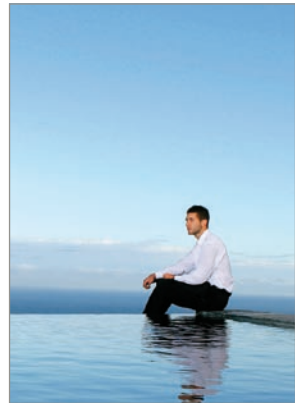
All Service Offerings presented above exist in Lexmark Service Offerings Packs and direct sales. Total 2 year- and 4 year- contracts are also available for these products. Please contact the Contract Support Service representative in your country. For more information, visit www.lexmark.com/serviceofferings

SERVICES OFFERINGS FOR MACHINES FROM PREVIOUS GENERATIONS

To get all information on Standard Services Offerings for machines from previous generations, please consult our Lexmark Services Brochure on www.lexmark.com/serviceofferings

SPECIAL BID INFO

To find out about Lexmark's complete range of "non-standard" and customisable service offerings, please contact the Contract Support Service representative in your country. For more information, visit www.lexmark.com.



Contacts



Contacts

Specifications are subject to change without notice. Lexmark, Lexmark with diamond design is trademark of Lexmark International, Inc. registered in the United States and or other countries. All other trademarks are the properties of their respective owners.

17/09/2008

www.lexmark.com

LEXMARK[™]